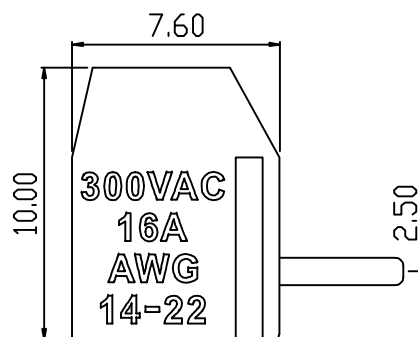
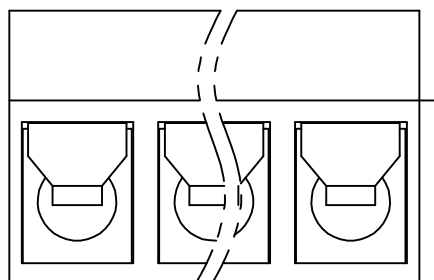
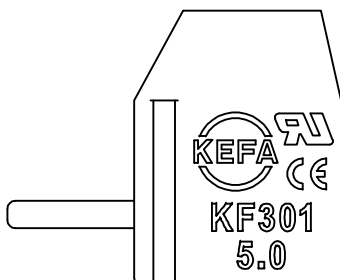
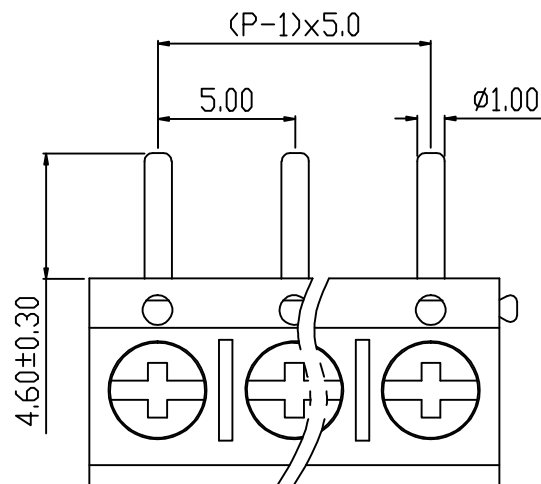
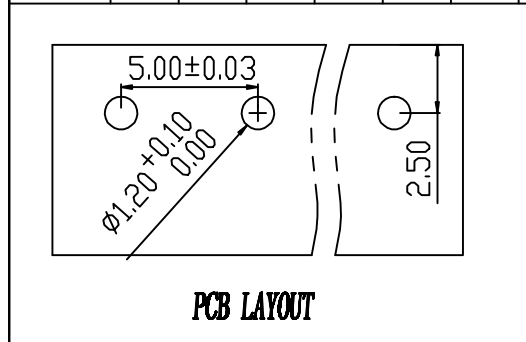


linear dimension(Tolerances Standard GB/T 14486-2008)								—	\square	\perp
variable range	to 6	over 6 to 10	over 10 to 30	over 30 to 60	over 60 to 100	over 100 to 160	over 160 to	to 10	over 10 to 100	over 100 to
tolerance	±0.20	±0.30	±0.50	±0.70	±1.00	±1.30	±1.60	0.10	0.30	0.60



REVISION RECORD				
REV.	DESCRIPTION	ECN No.	APPROVED	DATE
A	新发行		CLF	21.03.13

UL/CUL 技术参数 UL/CUL Technical Data			
等级 Use Group	B	C	D
额定电压 Rated Voltage [V]	300	-	300
额定电流 Rated Current [A]	16	-	10
接线范围 Wire Range 单/多芯线 Solid/Stranded [AWG]	22-14		
耐电压 Withstanding Voltage	1800V/1Min		
IEC 技术参数 IEC Technical Data			
过电压类别 Overvoltage Category	III	III	II
污染等级 Contamination Class	3	2	2
额定电压 Rated Voltage [V]	250	400	500
额定电流 Rated Current [A]	17	17	17
额定冲击电压 Impulse withstand voltages [kV]	4.0	4.0	4.0
导线横面积 Conductor cross section 硬质/柔性导线 Solid/flexible [mm ²]	1.5		
材料 Material			
绝缘材料 Insulation Material	PBT		
阻燃等级 Inflammability	UL94V-0		
导体材料 Contact Material	铜合金 Copper alloy		
导体表面镀层 Contactive Coating	镀锡 Tin Plated		
一般参数 Other Data			
间距 Pitch [mm]	5.0		
极数 Pole [P]	2-24		
剥线长度 Stripping Length [mm]	4.5-5		
螺丝 Screw/扭矩 Torque(Max) [N.m]	M2.5/0.4		
工作温度 Operating temperatur [°C]	-30~+120		
引脚尺寸 Pin Dimensions [mm]	4.8		
PCB板孔径 PCB Hole Diameter [mm]	1.2		

DES.	LQQ	DATE	21.03.13	单位/UNITS	mm	尺寸/SIZE	A4	比例/SCALE	1:1	第三视角/THIRD ANGLE PROJECTION	版本/REV	A
CHK.	SY	DATE	21.03.13	慈溪市科发电子有限公司 CIXI KEFA ELECTRONIC CO., LTD				名称/TITLE	KF301R-5.0			
APP.	CLF	DATE	21.03.13									

单击下面可查看定价，库存，交付和生命周期等信息

[>>KEFA\(科发\)](#)