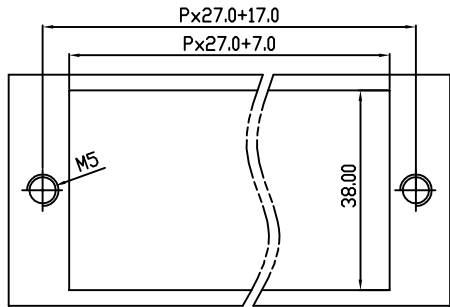
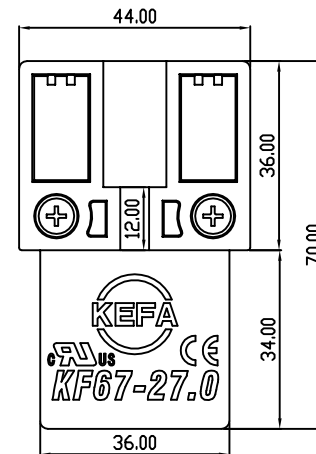
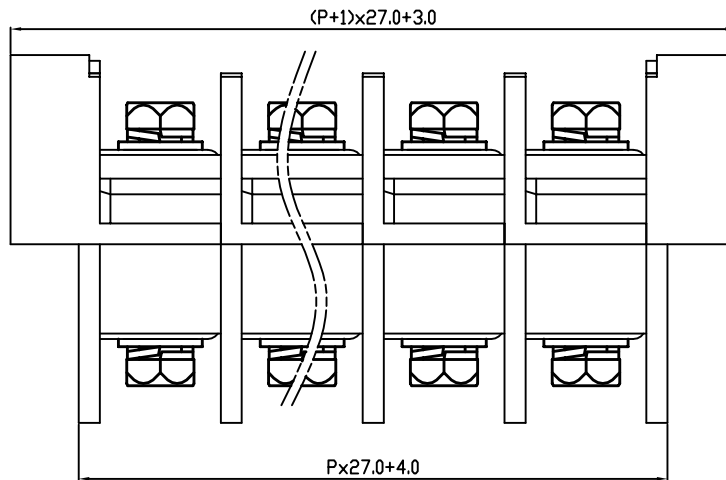
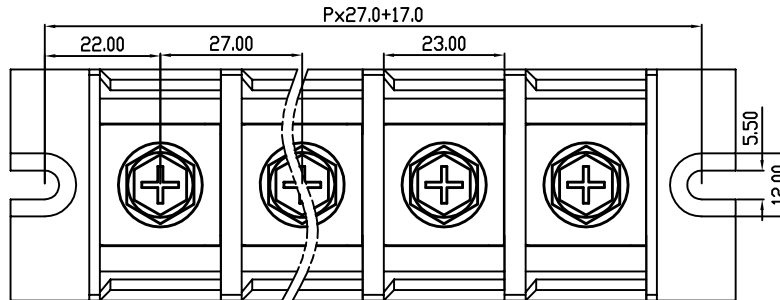


linear dimension(Tolerances Standard GB/T 14486-2008)								— ▯ ⊥		
variable range	to	over 6	over 10	over 30	over 60	over 100	over 160	to	over 10	over 100
	6	to 10	to 30	to 60	to 100	to 160	to 10	to 100	to	
tolerance	±0.20	±0.30	±0.50	±0.70	±1.00	±1.30	±1.60	0.10	0.30	0.60



PCB LAYOUT



REVISION RECORD				
REV.	DESCRIPTION	ECN No.	APPROVED	DATE
A	新发行		CLF	21.12.15

UL/CUL 技术参数		UL/CUL Technical Data			cRUus
等级	Use Group	B	C	D	
额定电压	Rated Voltage [V]	600	-	-	
额定电流	Rated Current [A]	170	-	-	
接线范围	Wire Range	10-2/0			
单/多芯线	Solid/Stranded [AWG]				
IEC 技术参数		IEC Technical Data			DYE
额定电压	Rated Voltage [V]	1000			
额定电流	Rated Current [A]	170			
耐电压	Withstanding Voltage	3500V/1Min			
导线截面积	Conductor cross section	50.0			
硬质/柔性导线	Solid/flexible [mm ²]				
材料		Material			
绝缘材料	Insulation Material	PBT			
阻燃等级	Inflammability	UL94V-0			
导体材料	Contacting Material	铜合金 Copper alloy			
导体表面镀层	Contactive Coating	镀镍 Ni plating			
一般参数		Other Data			
间距	Pitch [mm]	27.0			
极数	Poles [P]	1-15			
剥线长度	Stripping Length [mm]	-			
螺丝	Screw/扭矩 Torque(Max) [N.m]	M8/6.0			
工作温度	Operating temperatur [°C]	-30~+120			
引针尺寸	Pin Dimensions [mm]	-			
PCB板孔径	PCB Hole Diameter [mm]	-			

DES.	LQQ	DATE	21.12.15	单位/UNITS	mm	尺寸/SIZE	A4	比例/SCALE	1:1	第三视角/THIRD ANGLE PROJECTION	版本/REV	A
CHK.	BY	DATE	21.12.15	 慈溪市科发电子有限公司 CIXI KEFA ELECTRONICS CO., LTD				名称/TITLE	KF67-27.0			
APP.	CLF	DATE	21.12.15									

单击下面可查看定价，库存，交付和生命周期等信息

[>>KEFA\(科发\)](#)