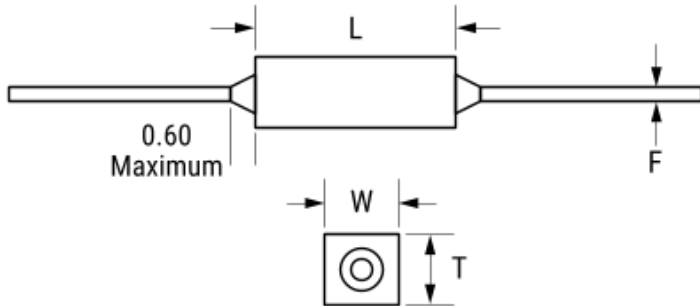


ARA16D103KGS

ARA Indust X7R HT200C, Ceramic, 0.01 uF, 10%, 100 VDC, X7R, ARA Indust X7R HT200C with C3 Technology, Axial



General Information

Series	ARA Indust X7R HT200C
Description	ARA Indust X7R HT200C with C3 Technology, Axial
Features	High Temperature
RoHS	No
Prop 65	⚠ WARNING: Cancer and reproductive harm - http://www.p65warnings.ca.gov
Termination	Gold
AEC-Q200	No
Shelf Life	72 Weeks

Specifications

Capacitance	0.01 uF
Capacitance Tolerance	10%
Voltage DC	100 VDC
Dielectric Withstanding Voltage	150 VDC
Temperature Range	-55/+200°C
Temperature Coefficient	X7R
Capacitance Change with Reference to +25°C and 0 VDC Applied (TCC)	15%1kHz 1.0Vrms
Dissipation Factor	2.5% 1kHz 1.0Vrms
Insulation Resistance	100 GOhms

Dimensions

L	4.32mm MAX
W	2.03mm MAX
T	2.03mm MAX
LL	3.175mm MIN
F	0.508mm +/-0.051mm

Packaging Specifications

Packaging	Waffle
Packaging Quantity	25

Statements of suitability for certain applications are based on our knowledge of typical operating conditions for such applications, but are not intended to constitute - and we specifically disclaim - any warranty concerning suitability for a specific customer application or use. This information is intended for use only by customers who have the requisite experience and capability to determine the correct products for their application. Any technical advice inferred from this information or otherwise provided by us with reference to the use of our products is given gratis, and we assume no obligation or liability for the advice given or results obtained.

单击下面可查看定价，库存，交付和生命周期等信息

[>>KEMET\(基美\)](#)