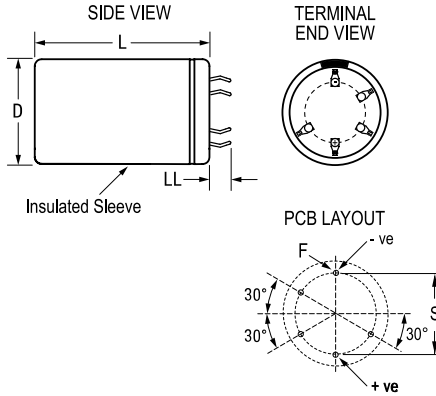


ALC40, Aluminum Electrolytic, 680 uF, 20%, 400 VDC, -40/+105°C



| Dimensions | |
|------------|---------------|
| D | 40mm +1mm |
| L | 60mm +/-2mm |
| S | 25mm +/-0.1mm |
| LL | 6.3mm +/-1mm |
| F | 2mm +/-0.1mm |

| Packaging Specifications | |
|--------------------------|-----------|
| Packaging: | Bulk, Bag |

| General Information | |
|---------------------|--------------------------------|
| Series: | ALC40 |
| Dielectric: | Aluminum Electrolytic |
| Description: | Snap-In, Aluminum Electrolytic |
| RoHS: | Yes |
| Lead: | 5 Pin |
| AEC-Q200: | No |
| Component Weight: | 98 g |
| Shelf Life: | 156 Weeks |

| Specifications | |
|------------------------|--|
| Capacitance: | 680 uF |
| Capacitance Tolerance: | 20% |
| Voltage DC: | 400 VDC, 440 VDC (Surge) |
| Temperature Range: | -40/+105°C |
| Rated Temperature: | 105°C |
| Life: | 9000 Hrs (Rated Voltage And Ripple Current At 105C), 14000 Hrs (Rated Voltage at 105C) |
| Resistance: | 173 mOhms (100Hz 20C), 107 mOhms (10kHz 20C) |
| Ripple Current: | 4.08 Amps (100Hz 105C), 8.58 Amps (10kHz 105C) |
| Leakage Current: | 816 uA (5min 20°C) |

Statements of suitability for certain applications are based on our knowledge of typical operating conditions for such applications, but are not intended to constitute - and we specifically disclaim - any warranty concerning suitability for a specific customer application or use. This Information is intended for use only by customers who have the requisite experience and capability to determine the correct products for their application. Any technical advice inferred from this Information or otherwise provided by us with reference to the use of our products is given gratis, and we assume no obligation or liability for the advice given or results obtained.

单击下面可查看定价，库存，交付和生命周期等信息

[>>KEMET\(基美\)](#)