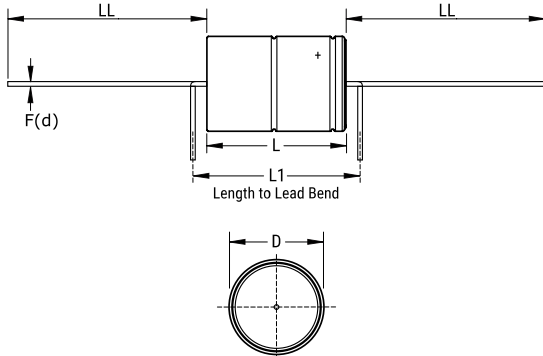


KEMET Part Number: PEG225KF4120ME1
(PEG225KF4120M)



PEG225, Aluminum Electrolytic, 1,200 uF, 20%, 40 VDC, -40/+150°C



Note: '()' correspond to the letters used in the product bulletin

Dimensions	
D	16.2mm +/-0.5mm
L	26.7mm +/-1mm
L1	33mm MIN
LL	40mm +/-2mm
F	1mm +/-0.03mm

Packaging Specifications	
Sleeving:	Yes
Packaging:	Bulk, Box

General Information	
Series:	PEG225
Dielectric:	Aluminum Electrolytic
Style:	Axial
Description:	Vibration Resistant Extremely High Ripple Axial Aluminum Electrolytic
RoHS:	Yes
Lead:	Wire Leads
Qualifications:	AEC-Q200
AEC-Q200:	Yes
Halogen Free:	Yes
Component Weight:	8 g
Miscellaneous:	Rated Voltage Measured At 125C.
Notes:	L1 is KEMETs recommendation for minimum distance between symmetrical Lead bend. Available only for Customer specific part numbers. Lead bend dimensions must be specified and confirmed per article. Dimensions D And L Include Sleeving.
Shelf Life:	520 Weeks

Specifications	
Capacitance:	1,200 uF
Capacitance Tolerance:	20%
Voltage DC:	40 VDC (125C), 32 VDC (150C)
Temperature Range:	-40/+150°C
Rated Temperature:	125°C
Life:	6300 Hrs (Rated Voltage At 125C), 1500 Hrs (Rated Voltage At 150C)
Resistance:	80 mOhms (100Hz 20C), 36 mOhms (100kHz 20C), 13 mOhms (5-100kHz 150C)
Ripple Current:	16.6 Amps (5kHz 125C, With Heat Sink), 10.5 Amps (5kHz 140C, With Heat Sink), 4.7 Amps (5kHz 150C, Heat Sink), 5.8 Amps (5kHz 125C), 7.4 Amps (>=5kHz 125C Reduced Voltage)
Leakage Current:	148 uA (5min 20°C)

Statements of suitability for certain applications are based on our knowledge of typical operating conditions for such applications, but are not intended to constitute - and we specifically disclaim - any warranty concerning suitability for a specific customer application or use. This Information is intended for use only by customers who have the requisite experience and capability to determine the correct products for their application. Any technical advice inferred from this Information or otherwise provided by us with reference to the use of our products is given gratis, and we assume no obligation or liability for the advice given or results obtained.



单击下面可查看定价，库存，交付和生命周期等信息

[>>KEMET\(基美\)](#)