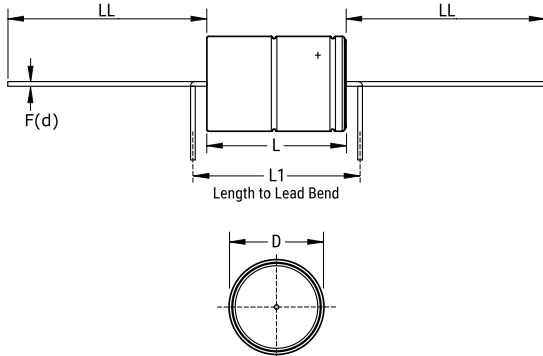


PEG127, Aluminum Electrolytic, 180 uF, -10/+30%, 25 VDC, -40/+150°C



Note: '(l)' correspond to the letters used in the product bulletin

Dimensions	
D	10mm +/-0.5mm
L	20mm +/-1mm
L1	26mm MIN
LL	42mm +3/-2mm
F	0.8mm +/-0.03mm

Packaging Specifications	
Sleeving:	Yes
Packaging:	Bulk, Bag

General Information	
Series:	PEG127
Dielectric:	Aluminum Electrolytic
Style:	Axial
Description:	Vibration Resistant High Ripple Axial Aluminum Electrolytic
Features:	Vibration Resistant, High Ripple
RoHS:	Yes
Lead:	Wire Leads
Qualifications:	AEC-Q200
AEC-Q200:	Yes
Halogen Free:	Yes
Component Weight:	3 g
Notes:	L1 is KEMETs recommendation for minimum distance between symmetrical Lead bend. Available only for Customer specific part numbers. Lead bend dimensions must be specified and confirmed per article. Dimensions D And L Include Sleeving.
Shelf Life:	520 Weeks

Specifications	
Capacitance:	180 uF
Capacitance Tolerance:	-10/+30%
Voltage DC:	25 VDC
Temperature Range:	-40/+150°C
Rated Temperature:	150°C
Life:	1600 Hrs
Resistance:	560 mOhms (100Hz 20C), 255 mOhms (100kHz 20C), 80 mOhms (5-100kHz 150C)
Ripple Current:	2.4 Amps (5kHz 100C), 1.7 Amps (5kHz 125C), 1.1 Amps (5kHz 140C), 0.49 Amps (5kHz 150C)
Leakage Current:	17 uA (5min 20°C)

单击下面可查看定价，库存，交付和生命周期等信息

[>>KEMET\(基美\)](#)