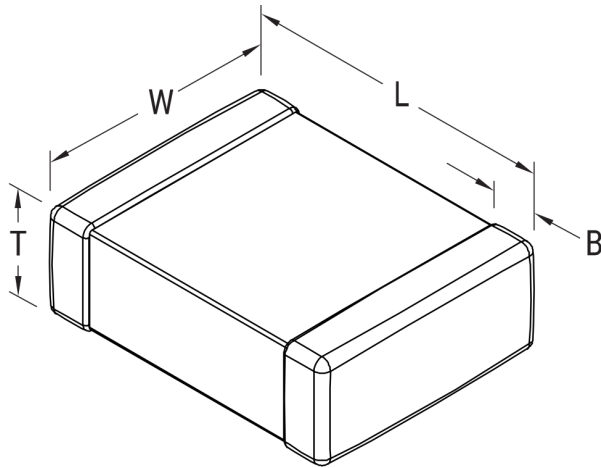


CDR31BP200BKZS7246

Aliases (C0805N200K1GSL7246, C0805N200K1GSL7246, CDR31BP200BKZS-AntiStatic)

SMD Mil PRF55681, Ceramic, 20 pF, 10%, 100 VDC, BP, S (0.001%/1000 Hrs), 0805



Click [here](#) for the 3D model.

General Information

Series	SMD Mil PRF55681
Style	SMD Chip
RoHS	No
Prop 65	⚠ WARNING: Cancer and reproductive harm - http://www.p65warnings.ca.gov .
Termination	Lead (SnPb)
Failure Rate	S (0.001%/1000 Hrs)
Testing and Reliability	MIL-PRF-55681
Qualifications	MIL-PRF-55681
AEC-Q200	No
Miscellaneous	Termination Description: SolderPlate 70-30.
Shelf Life	78 Weeks
MSL	1

Dimensions

Chip Size	0805
L	2mm +/-0.2mm (0.079 in +/-0.008 in)
W	1.25mm +/-0.2mm (0.049 in +/-0.008 in)
T	1.3mm (0.051 in)
B	0.5mm +/-0.2mm (0.02 in +/-0.008 in)

Packaging Specifications

Packaging	Bulk, Anti-Static Bag
Packaging Quantity	1

Specifications

Capacitance	20 pF
Capacitance Tolerance	10%
Voltage DC	100 VDC
Temperature Range	-55/+125°C
Temperature Coefficient	BP

Statements of suitability for certain applications are based on our knowledge of typical operating conditions for such applications, but are not intended to constitute - and we specifically disclaim - any warranty concerning suitability for a specific customer application or use. This information is intended for use only by customers who have the requisite experience and capability to determine the correct products for their application. Any technical advice inferred from this information or otherwise provided by us with reference to the use of our products is given gratis, and we assume no obligation or liability for the advice given or results obtained.

单击下面可查看定价，库存，交付和生命周期等信息

[>>KEMET\(基美\)](#)