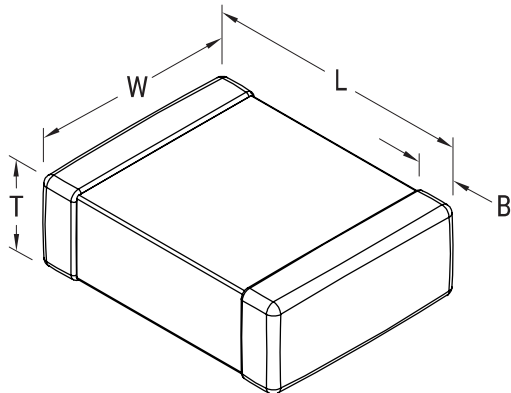


KEMET Part Number: C1206C153FCGACTU
(C1206C153FCGAC7800)

SMD Comm COG HV, Ceramic, 0.015 uF, 1%, 500 VDC, COG, SMD, MLCC, Ultra-Stable, Low Loss, Class I, 1206



Dimensions

| Chip Size | 1206 |
|-----------|-----------------|
| L | 3.2mm +/-0.2mm |
| W | 1.6mm +/-0.2mm |
| T | 1.6mm +/-0.15mm |
| B | 0.5mm +/-0.25mm |

Packaging Specifications

| | |
|---------------------|--------------------------|
| Packaging: | T&R, 180mm, Plastic Tape |
| Packaging Quantity: | 2000 |

General Information

| | |
|--------------|--|
| Series: | SMD Comm COG HV |
| Style: | SMD Chip |
| Description: | SMD, MLCC, Ultra-Stable, Low Loss, Class I |
| Features: | Ultra-Stable, Low Loss, Class I |
| RoHS: | Yes |
| Termination: | Tin |
| Marking: | No |
| AEC-Q200: | No |
| Shelf Life: | 78 Weeks |
| MSL: | 1 |

Specifications

| | |
|---|------------------------|
| Capacitance: | 0.015 uF |
| Measurement Condition: | 1 kHz 1.0Vrms |
| Capacitance Tolerance: | 1% |
| Voltage DC: | 500 VDC |
| Dielectric Withstanding Voltage: | 750 VDC |
| Temperature Range: | -55/+125°C |
| Temperature Coefficient: | COG |
| Capacitance Change with Reference to +25°C and 0 VDC Applied (TCC): | 30 ppm/C, 1kHz 1.0Vrms |
| Dissipation Factor: | 0.1% 1kHz 1.0Vrms |
| Aging Rate: | 0% Loss/Decade Hour |
| Insulation Resistance: | 66.667 GOhms |

单击下面可查看定价，库存，交付和生命周期等信息

[>>KEMET\(基美\)](#)