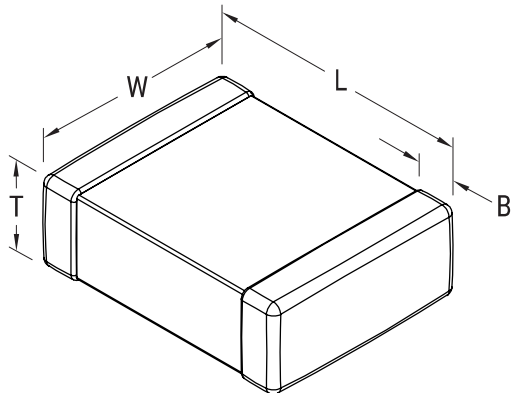


**KEMET Part Number: M3253502E2A102JZTB**  
(C0402K102J5RTL7189)

SMD MIL X7R PRF32535, Ceramic, 1000 pF, 5%, 50 VDC, X7R, SMD, Military, Low ESR, MIL-PRF-32535, N/A, 0402



**Dimensions**

Dimensions	
Chip Size	0402
L	1.02mm +/-0.1mm (0.04 in +/-0.004 in)
W	0.51mm +/-0.1mm (0.02 in +/-0.004 in)
T	0.61mm MAX (0.024 in MAX)
B	0.1mm MIN (0.004 in MIN)

**Packaging Specifications**

Weight:	1600 ug
Packaging:	T&R
Packaging Quantity:	10000

**General Information**

Series:	SMD MIL X7R PRF32535
Style:	SMD Chip
Description:	SMD, Military, Low ESR, MIL-PRF-32535
RoHS:	No
Prop 65:	<b>⚠ WARNING:</b> Cancer and reproductive harm - <a href="http://www.p65warnings.ca.gov">www.p65warnings.ca.gov</a>
REACH:	SVHC (Pb – CAS 7439-92-1)
Termination:	Solder Plated
Failure Rate:	N/A
Qualifications:	MIL-PRF-32535
AEC-Q200:	No

**Specifications**

Capacitance:	1000 pF
Capacitance Tolerance:	5%
Voltage DC:	50 VDC
Dielectric Withstanding Voltage:	125 VDC
Temperature Range:	-55/+125°C
Temperature Coefficient:	X7R
Dissipation Factor:	2.50% 1MHz 25C
Aging Rate:	3% Loss/Decade Hour
Insulation Resistance:	100 GOhms

单击下面可查看定价，库存，交付和生命周期等信息

[>>KEMET\(基美\)](#)