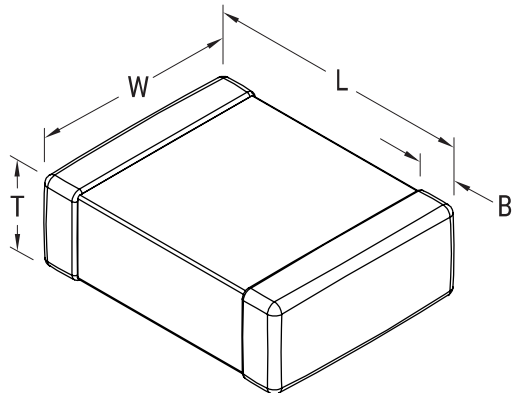


**KEMET Part Number: M3253502E2X471KZTB**  
(C0402K471K8RTL7189)

SMD MIL X7R PRF32535, Ceramic, 470 pF, 10%, 10 VDC, X7R, SMD, Military, Low ESR, MIL-PRF-32535, N/A, 0402



#### Dimensions

Dimensions	
Chip Size	0402
L	1.02mm +/-0.1mm (0.04 in +/-0.004 in)
W	0.51mm +/-0.1mm (0.02 in +/-0.004 in)
T	0.61mm MAX (0.024 in MAX)
B	0.1mm MIN (0.004 in MIN)

#### Packaging Specifications

Weight:	1600 ug
Packaging:	T&R
Packaging Quantity:	10000

#### General Information

Series:	SMD MIL X7R PRF32535
Style:	SMD Chip
Description:	SMD, Military, Low ESR, MIL-PRF-32535
RoHS:	No
Prop 65:	<b>⚠ WARNING:</b> Cancer and reproductive harm - <a href="http://www.p65warnings.ca.gov">www.p65warnings.ca.gov</a> .
REACH:	SVHC (Pb – CAS 7439-92-1)
Termination:	Solder Plated
Failure Rate:	N/A
Qualifications:	MIL-PRF-32535
AEC-Q200:	No

#### Specifications

Capacitance:	470 pF
Capacitance Tolerance:	10%
Voltage DC:	10 VDC
Dielectric Withstanding Voltage:	25 VDC
Temperature Range:	-55/+125°C
Temperature Coefficient:	X7R
Dissipation Factor:	5.00% 1MHz 25C
Aging Rate:	3% Loss/Decade Hour
Insulation Resistance:	100 GOhms

Statements of suitability for certain applications are based on our knowledge of typical operating conditions for such applications, but are not intended to constitute - and we specifically disclaim - any warranty concerning suitability for a specific customer application or use. This Information is intended for use only by customers who have the requisite experience and capability to determine the correct products for their application. Any technical advice inferred from this Information or otherwise provided by us with reference to the use of our products is given gratis, and we assume no obligation or liability for the advice given or results obtained.

单击下面可查看定价，库存，交付和生命周期等信息

[>>KEMET\(基美\)](#)