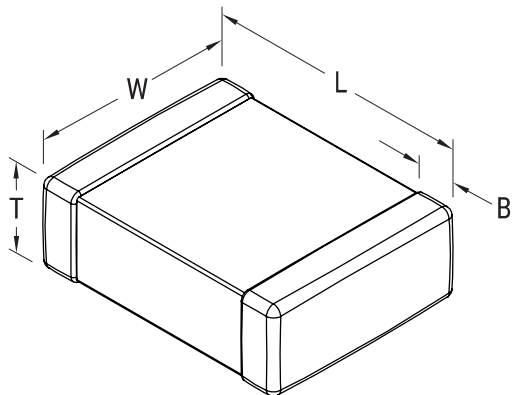


SMD Comm X5R, Ceramic, 22 uF, 10%, 10 VDC, X5R, SMD, MLCC, Temperature Stable, Automotive Grade, 1210



| Dimensions |                  |
|------------|------------------|
| Chip Size  | 1210             |
| L          | 3.2mm +/-0.2mm   |
| W          | 2.5mm +/-0.2mm   |
| T          | 1.55mm +/-0.15mm |
| B          | 0.5mm +/-0.25mm  |

| Packaging Specifications |                          |
|--------------------------|--------------------------|
| Packaging:               | T&R, 180mm, Plastic Tape |
| Packaging Quantity:      | 2000                     |

| General Information |   |
|---------------------|---|
| Series:             | SMD Comm X5R  |
| Style:              | SMD Chip  |
| Description:        | SMD, MLCC, Temperature Stable, Automotive Grade                           |
| Features:           | Temperature Stable, Automotive Grade                                      |
| RoHS:               | Yes   |
| Termination:        | Tin   |
| Marking:            | No  |
| Failure Rate:       | N/A   |
| Qualifications:     | AEC-Q200  |
| AEC-Q200:           | Yes   |
| Miscellaneous:      | Note: Referee time for X5R dielectric for this part number is 1000 hours. |
| Shelf Life:         | 78 Weeks  |
| MSL:                | 1   |

| Specifications                   |                     |
|----------------------------------|---------------------|
| Capacitance:                     | 22 uF               |
| Capacitance Tolerance:           | 10%                 |
| Voltage DC:                      | 10 VDC              |
| Dielectric Withstanding Voltage: | 25 VDC              |
| Temperature Range:               | -55/+85°C           |
| Temperature Coefficient:         | X5R                 |
| Dissipation Factor:              | 10% 120Hz 25C       |
| Aging Rate:                      | 5% Loss/Decade Hour |
| Insulation Resistance:           | 5 MOhms             |

Statements of suitability for certain applications are based on our knowledge of typical operating conditions for such applications, but are not intended to constitute - and we specifically disclaim - any warranty concerning suitability for a specific customer application or use. This Information is intended for use only by customers who have the requisite experience and capability to determine the correct products for their application. Any technical advice inferred from this Information or otherwise provided by us with reference to the use of our products is given gratis, and we assume no obligation or liability for the advice given or results obtained.

单击下面可查看定价，库存，交付和生命周期等信息

[>>KEMET\(基美\)](#)