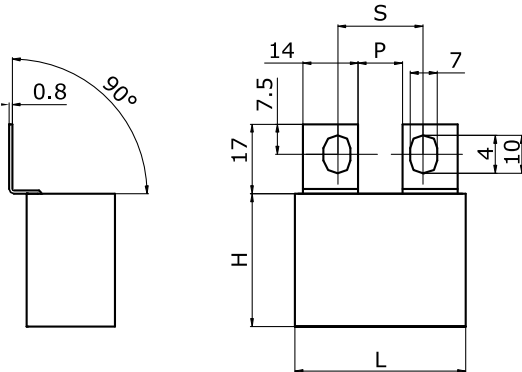


C4BS, Film, Metallized Polypropylene, Power, 2.2 uF, 10%, 550 VAC, 850 VDC, 70°C, Lead Spacing = 22mm



Dimensions

L	42mm NOM
H	45mm NOM
T	30mm NOM
S	22mm +/-0.02mm
S1	21.5mm +/-0.2mm
P	10.5mm NOM

Packaging Specifications

Packaging:	Bulk, Bag
Packaging Quantity:	32

General Information

Series:	C4BS
Dielectric:	Metallized Polypropylene
Style:	Radial
Features:	IGBT Circuit
RoHS:	Yes
Lead:	Flat Tabs
Miscellaneous:	KEMET Style G Tabs

Specifications

Capacitance:	2.2 uF
Capacitance Tolerance:	10%
Voltage AC:	550 VAC
Voltage DC:	850 VDC
Temperature Range:	-40/+85°C
Rated Temperature:	70°C
Max dV/dt:	758 V/us
Resistance:	1.9 mOhms (100kHz)
Ripple Current:	37 Amps (100kHz 70C), 1668 Amps (Peak)
Inductance:	43 nH

Statements of suitability for certain applications are based on our knowledge of typical operating conditions for such applications, but are not intended to constitute - and we specifically disclaim - any warranty concerning suitability for a specific customer application or use. This Information is intended for use only by customers who have the requisite experience and capability to determine the correct products for their application. Any technical advice inferred from this Information or otherwise provided by us with reference to the use of our products is given gratis, and we assume no obligation or liability for the advice given or results obtained.

单击下面可查看定价，库存，交付和生命周期等信息

[>>KEMET\(基美\)](#)