



Defense and Aerospace

KEMET
CHARGED.™

Ceramic High Voltage, High Temperature Capacitors

	KEMET Series	Page
Performance Information		1-4
High Temperature, High Voltage Axial/Radial	HT/HP	5-7
High Temperature, High Voltage Radial	HV	8-9
High Voltage Conformally Coated Radial	HV	10-14
High Voltage MIL-PRF-49467 (Equivalent)	HV	15-17
High Voltage Space Quality	HS	18-22
High Voltage Ceramic Chip	1515/1812/1825/2020/ 2225/2520/3333//3530 4040/4540/5440/5550/6560	23-27
High Voltage L & J Leaded	SM20/SM21/SM22/SM23 SM24/SM25/SM26/SM30/ SM31/SM33/SM34/SM35/SM36	28-32
High Voltage Disc	D30/40/50/75/90/100/120	33-34
High Voltage Disc Multiplier Stacks	D30/40/50/75/90/100/120	35

GENERAL SPECIFICATIONS

Working Voltage:

C0G	50, 100, 200, 500, 1k, 2k, 3k, 4k, 5k, 7.5k, 10k, 15k, 20k
X7R	50, 100, 200, 500, 1k, 2k, 3k, 4k, 5k, 7.5k, 10k, 15k, 20k, 30k, 40k, 50k
X5U	3k, 4k, 5k, 7.5k, 10k, 15k, 20k

Temperature Characteristics:

C0G	0 + 30 PPM / °C from - 55°C to + 125°C (1)
X7R	+ 15% from - 55°C to + 125°C
X5U	+ 22%, -56% from -55°C to + 85°C

Capacitance Tolerance:

C0G	+0.5pF, +1%, +2%, +5%, +10%
X7R	+10%, +20%, +80% / -20%, +100% / -0%
X5U	+10%, +20%, +80% / -20%, +100% / -0%

Construction:

Epoxy encapsulated - meets flame test requirements of UL Standard 94V-0.
High-temperature solder - meets EIA RS-198, Method 302, Condition B (260°C for 10 seconds)

Termination Material:

Check individual Series: Part Number and Ordering Information for Termination Materials offered in each series.

Solderability:

MIL-STD 202, Method 208
(Test Method: ANSI/J-STD-002)
Test A for through-hole mount and surface mount leaded.
Test B for surface mount leadless components.

Terminal Strength:

MIL-STD 202, Method 208, Condition A (2.3kg or 5 lbs)

Resistance to Solvents:

MIL-STD 202, Method 215

Resistance to Soldering Heat:

MIL-STD 202, Method 210, Test Condition C

ELECTRICAL

Capacitance @ 25°C:

Within specified tolerance and following test conditions per MIL-STD 202, Method 305.
C0G, X7R & X5U
> 100pF with 1.0 vrms @ 1 kHz with 1.0 vrms
< 100pF with 1.0 vrms @ 1 MHz with 1.0 vrms

Dissipation Factor @ 25°C:

Same test conditions as capacitance.
C0G - 0.15% maximum
X7R - 2.5% maximum
X5U - 2.5% maximum

Insulation Resistance @25°C:

MIL-STD 202, Method 302
C0G & X7R:
100 gigohm or 1 gigohm x uF, whichever is less.
<500V test @ rated voltage, >1kV test @ 500V.
X5U:
10 gigohm or 100 megohm x uF, whichever is less.
<500V test @ rated voltage, >1kV test @ 500V.

Dielectric Withstanding Voltage:

MIL-STD 202, Method 301
<200V test @ 250% of rated voltage
500V to 1250V test @ 150% of rated voltage
>1251V test @ 120% of rated voltage

ENVIRONMENTAL

Vibration:

MIL-STD 202, Method 204, Condition D (20g)

Shock:

MIL-STD 202, Method 213, Condition I (100g)

Life Test:

MIL-STD 202, Method 108

<200V

C0G - 200% rated voltage @ +125°C
X7R - 200% rated voltage @ +125°C

>500V

C0G - rated voltage @ +125°C
X7R - rated voltage @ +125°C
X5U - rated voltage @ +85°C

Post Test Limits @ 25°C are:

Capacitance Change:

C0G (< 200V) - +3% or 0.25pF, whichever is greater.
C0G (> 500V) - +3% or 0.50pF, whichever is greater.
X7R - + 20% of initial value (2)

Dissipation Factor:

C0G - 0.25% maximum
X7R & X5U - 3.0% maximum

Insulation Resistance:

C0G & X7R:
100 gigohm or 1 gigohm x uF, whichever is less.
<500V test @ rated voltage, >1kV test @ 500V.

X5U:

10 gigohm or 100 megohm x uF, whichever is less.
<500V test @ rated voltage, >1kV test @ 500V.

Moisture Resistance:

MIL-STD 202, Method 106
Post Test Limits @ 25°C are:

Capacitance Change:

C0G (< 200V) - +3% or 0.25pF, whichever is greater.
C0G (> 500V) - +3% or 0.50pF, whichever is greater.
X7R - + 20% of initial value (2)

Dissipation Factor:

C0G - 0.25% maximum
X7R & X5U - 3.0% maximum

Insulation Resistance:

C0G & X7R:
100 gigohm or 1 gigohm x uF, whichever is less.
<500V test @ rated voltage, >1kV test @ 500V.

X5U:

10 gigohm or 100 megohm x uF, whichever is less.
<500V test @ rated voltage, >1kV test @ 500V.

Thermal Shock:

MIL-STD 202, Method 107, Condition A
C0G & X7R: -55°C to 125°C
X5U: -55°C to 85°C

- (1) +53 PPM -30 PPM/ °C from +25°C to -55°C, + 60 PPM below 10pF.
- (2) X7R & X5U dielectrics exhibit aging characteristics; therefore, it is highly recommended that capacitors be deaged for 2 hours at 150°C and stabilized at room temperature for 48 hours before capacitance measurements are made.

	HIGH TEMPERATURE	HIGH VOLTAGE
MILITARY & AEROSPACE		
Avionics	X	X
Radar Systems	X	X
Telemetry, Data Tx/Rx		X
Control Systems	X	
MEDICAL		
.5 to 1.5 Tesla MR1 &		X
NM1 Tuning Coils		X
1 to 3 Tesla MR1 Gradient		X
Coils & Magnetic Rings		X
CT-Scanner		X
Medical MRI		X
X-Ray Generator	X	X
SEMICONDUCTOR		
RF Tuning Networks		X
RF Power Supplies		X
Semiconductor Manufacturing	X	
SECURITY		
Handheld Scanners		X
Intruder Detection Systems		X
Luggage Scanners		X
Metal/Explosive Detector		X
OTHER		
LCD Backlight Inverter		X
Electric Ballast for CFL	X	X
Electric Ballast for Fluorescent Lamp	X	X
Measurement Equipment	X	X
Microwave/Convection Ovens	X	X
POWER SUPPLY		
HV Power Supply	X	X
Power Station Equipment		X
Power Supply for Air Conditioner, Washing Machine		X
Inverter Power Supply-AC	X	
TELECOM		
Base Station Power amps		X
Broadcasting Equipment		X
MODEM		
DAA Modem		X
xDSL Modem		X
LAN, Router, HUB, Switches		X
RF Power Amplifiers		X
INDUSTRIAL		
Oil Rigging, Down Hole, Mining	X	X

	ELECTRICAL			ENVIRONMENTAL	MECHANICAL
	Voltage Range	Capacitance Range	Dissipation Factor	Operating Temperature Range	Configuration
HIGH VOLTAGE					
Radial Conformally Coated					
Std	C0G/X7R: 500 to 10k VDC	C0G:12 pF - .330μF X7R: 220 pF - 5.6 μF	C0G: 0.15% max X7R: 2.5% max	C0G: -55°C to + 125°C X7R: -55°C to + 125°C	Radial
Mil-PRF-49467 Equivalent	C0G/X7R: 600 to 5k VDC	C0G: 12 pF - .68 μF X7R: 27 pF - .47 μF	C0G: 0.15% max X7R: 2.5% max	C0G/X7R: -55°C to + 125°C	Radial
Space Quality	C0G/X7R: 500 to 10k VDC	C0G/X7R: 560 pF - 2.20μF	C0G: 0.15% max X7R: 2.5% max	C0G/X7R: -55°C to + 125°C	Radial
Ceramic Surface Mount Chip					
Military	C0G/X7R: 500 to 5k VDC	C0G: 12 pF- .10 μF X7R: 270 pF -2.50 μF	C0G: 0.15% max X7R: 2.5% max	C0G/X7R: -55°C to + 125°C	Chip
Leaded Chips J or L lead	C0G/X7R: 500 to 10k VDC	C0G: 12 pF-.330 μF X7R: 220 pF-5.6 μF	C0G: 0.15% max X7R: 2.5% max	C0G/X7R: -55°C to + 125°C	Leaded Chip J or L Lead
Disc	C0G/X5U: 3k to 20k VDC, X7R:3k to 50k VDC	C0G: 1.2 pF-236 pF X7R: 10 p -7400 pF X5U: 80 pF-17300 pF	C0G: 0.15% max X7R: 2.5% max X5U: 2.5% max	C0G/X7R: -55°C to + 125°C X5U: -55°C to + 85°C	Disc
Disc Stack	C0G/X7R/X5U: 5k to 20k VDC	C0G: 1.2 pF-141 pF X7R: 37 pF-4400 pF X5U: 80 pF-10400 pF	C0G: 0.15% max X7R: 2.5% max X5U: 2.5% max	C0G/X7R: -55°C to + 125°C X5U: -55°C to + 85°C	Disc Stack

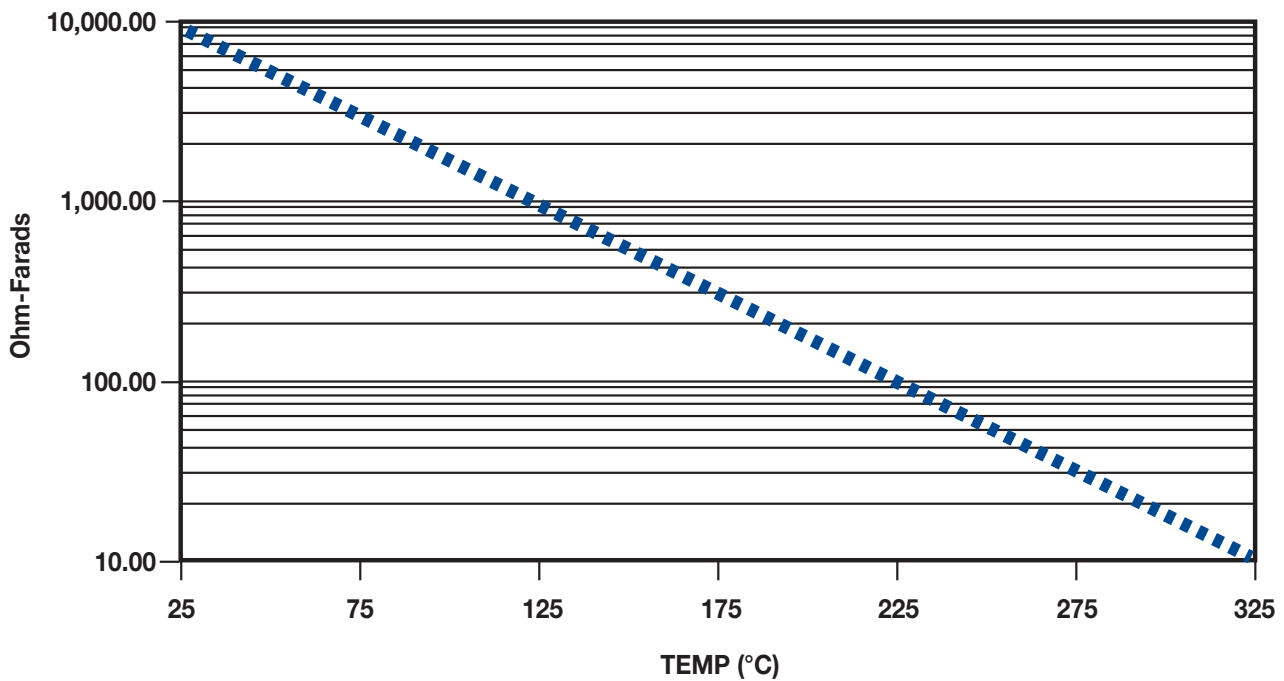
HIGH TEMPERATURE

Hi Temp (HT/HP)	100 to 200 VDC	C0G: 22 pF-.100 μF X7R:1000 pF-1.0μF	C0G 0.15% X7R Type 2.0% X7R 2.50%	-55°C to + 200°C	Axial/Radial
Hi Temp Hi Volt (HV)	500 to 4000 VDC	C0G: 390 pF-.015 μF X7R:1400 pF- .270 μF	C0G 0.15% X7R Type 2.0% X7R 2.50%	-55°C to + 200°C	Radial
Ceramic Cased Capacitor					
Std 125°C (SCR/SRR/SCA/SRA)	50 to 200 VDC	C0G: 1.0 pF- .12 μF X7R:100 pF- 6.8 μF	C0G 0.15% X7R 2.50%	-55°C to + 125°C	Axial/Radial
200°C (ACR/ARR/ACA/ARA)	50 to 100 VDC	C0G: 1.0 pF- .12 μF X7R:100 pF- 3.3 μF	C0G 0.15% X7R 2.50%	-55°C to + 200°C	Axial/Radial
260°C (TCR/TRR/TCA/TRA)	50 to 100 VDC	C0G: 1.0 pF- .12 μF X7R:100 pF- 3.3 μF	C0G 0.15% X7R 2.50%	-55°C to + 260°C	Axial/Radial
Hi Temp Hi Volt (VCR/VRR)	500 to 5000 VDC	C0G: 10 pF-.056 μF X7R:330 pF-1.2μF	C0G 0.15% X7R 2.50%	-55°C to + 200°C	Radial

DIELECTRIC COMPARISONS

Features	Ultra Stable	Semi-Stable High Voltage	Semi-Stable Hi-Temp	Temp/Volt Dependent
Dielectric Type	C0G (NPO)	X7R	X7R type	X5U
Temperature Coefficient	0 ±30ppm/°C	±15%	+15/-40%	+22-56%
Operating Temp. Range	-55 to +200°C	-55 to +125°C	-55 to +200°C	-55 to +125°C
Dissipation Factor	0.1% max.	2.5% max.	2.0% max.	2.5% max.
Aging Rate	None	-2.0% max/dec. hour	-2.0% max/dec. hour	-2.0% max/dec. hour
Voltage Range	25 to 20k VDC	50 to 50k VDC	25 to 4k VDC	Up to 20K VDC
Standard Tolerance	J, K, M	K, M, P, Z	K, M, P, Z	M, P, Z
Coefficient of Thermal Expansion @ 25°C	9 X 10-6 IN/IN °C	11 X 10-6 IN/IN °C	11 X 10-6 IN/IN °C	11 X 10-6 IN/IN °C

**TYPICAL INSULATION RESISTANCE VS. TEMP (C°)
FOR C0G, NPO & X7R DIELECTRICS**



FEATURES

The HT/HP Series is used in robust applications

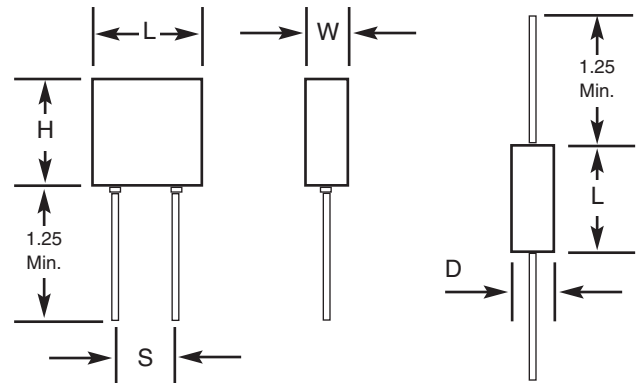
- Down Hole
- Industrial
- Harsh Environments

Where a Radial/Axial coated capacitor can withstand high temperatures (200°C).

NOTE:

Other tolerances, higher capacitance values, voltages, or special package configurations are available upon request.

CAPACITOR OUTLINE DRAWING



DIMENSIONS

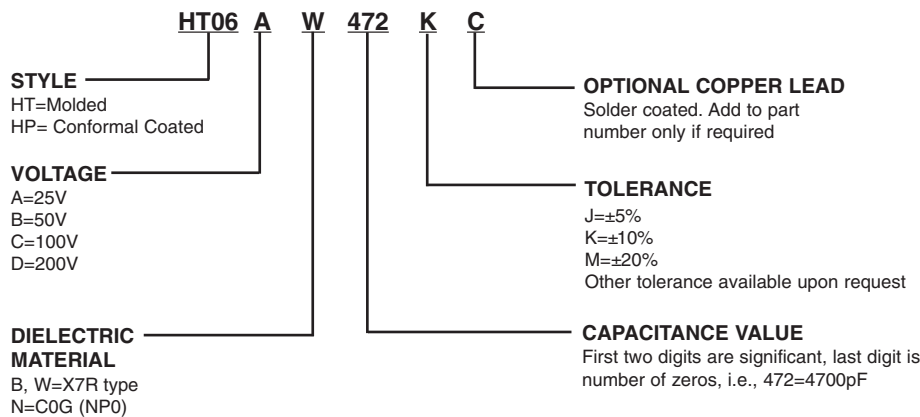
Molded (HT) and Conformal Coated (HP), Radial Lead Types

Style	Sizes in Inches (mm) max			Lead Spacing ±0.030 (S)
	Length (L)	Height (H)	Thickness (W)	
HT05	.200 (5.08)	.200 (5.08)	.100 (2.54)	.100 (2.54)
HT55	.200 (5.08)	.200 (5.08)	.100 (2.54)	.200 (5.08)
HT06	.300 (7.62)	.300 (7.62)	.150 (3.81)	.200 (5.08)
HT08	.500 (12.70)	.500 (12.70)	.250 (6.35)	.400 (10.16)
HT09	.700 (17.78)	.400 (10.16)	.200 (5.08)	.500 (12.70)

Tubular Case, Axial Lead Types

Style	Sizes in Inches (mm) max	
	Length (L)	Diameter (D)
HT11	.170 (4.32)	.100 (2.54)
HT13	.260 (6.60)	.135 (3.43)
HT14	.400 (10.16)	.155 (3.94)
HT15	.500 (12.70)	.200 (5.08)
HT16	.750 (19.05)	.375 (9.52)

PART NUMBER AND ORDERING INFORMATION



MARKING
(HT05, HT55, HT11)
472K
KEC

(All other sizes)
HT06AW472K
KEC
Date Code

For CONFORMAL COATED types, change style number to HPXX. HP dimensions will be reduced slightly.

FEATURES

The HV series not only withstands high temperatures (200°C), but also offers high voltage (500-4000 VDC)

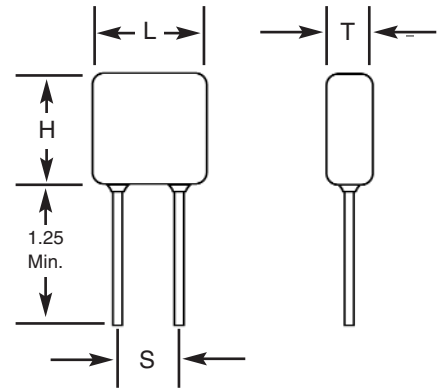
To be used in robust applications

- Down Hole
- Industrial
- Harsh Environments

NOTE:

Other tolerances, higher capacitance values, voltages, or special package configurations are available upon request.

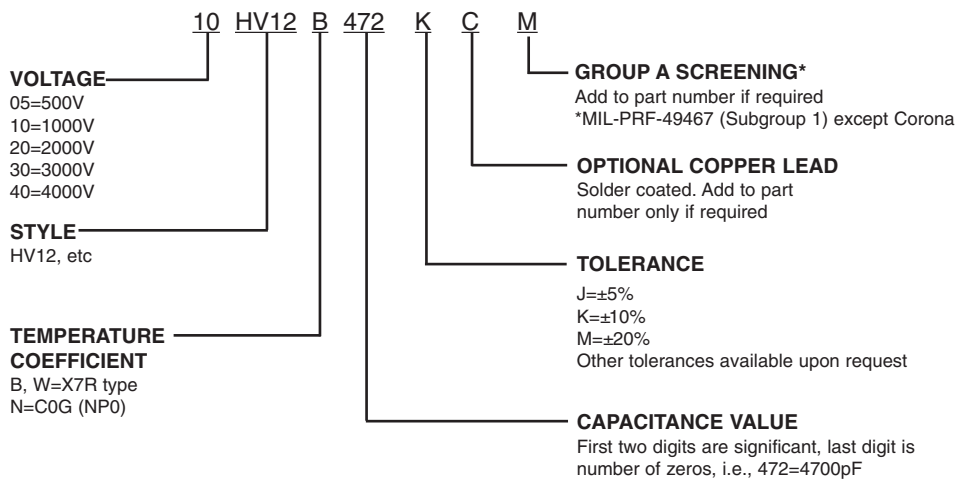
CAPACITOR OUTLINE DRAWING



DIMENSIONS

Style	Sizes in Inches (mm) max.			Lead Spacing ±0.030 (S)
	Length (L)	Height (H)	Thickness (T)	
HV10	.250 (6.35)	.220 (5.59)	.150 (3.81)	.170 (4.32)
HV11	.320 (8.13)	.300 (7.62)	.250 (6.35)	.200 (5.08)
HV12	.420 (10.67)	.400 (10.16)	.250 (6.35)	.300 (7.62)
HV13	.520 (13.21)	.500 (12.70)	.300 (7.62)	.400 (10.16)
HV14	.620 (15.75)	.500 (12.70)	.300 (7.62)	.500 (12.70)
HV15	.720 (18.29)	.700 (17.78)	.300 (7.62)	.600 (15.24)
HV16	.820 (20.83)	.700 (17.78)	.350 (8.89)	.700 (17.78)

PART NUMBER AND ORDERING INFORMATION



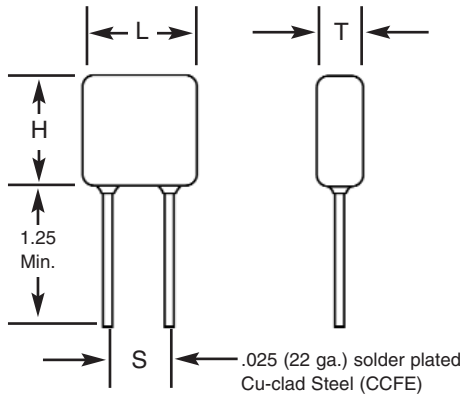
MARKING
(HV10, HV11)
472M
KEC
Date Code

(All other sizes)
HV12B472M
1kV
KEC
Date Code

COG DIELECTRIC

STYLE COG		HV10			HV11			HV12			HV13			HV14			HV15			HV16											
Cap	L max	.250 (6.35)			.320 (8.13)			.420 (10.67)			.520 (13.21)			.620 (15.75)			.720 (18.29)			.820 (20.83)											
	H max	.220 (5.59)			.300 (7.62)			.400 (10.16)			.500 (12.70)			.500 (12.70)			.700 (17.78)			.700 (17.78)											
	W max	.150 (3.81)			.250 (6.35)			.250 (6.35)			.300 (7.62)			.300 (7.62)			.300 (7.62)			.350 (8.89)											
	S ± .030	.170 (4.32)			.200 (5.08)			.300 (7.62)			.400 (10.16)			.500 (12.70)			.600 (15.24)			.700 (17.78)											
	Lead Dia. +.004/-.002	.025 (.635)			.025 (.635)			.025 (.635)			.025 (.635)			.025 (.635)			.025 (.635)			.025 (.635)											
	Cap Code	WVDC			WVDC			WVDC			WVDC			WVDC			WVDC			WVDC											
pF		500	1k	2k	500	1k	2k	3k	500	1k	2k	3k	500	1k	2k	3k	500	1k	2k	3k	4k	500	1k	2k	3k	4k	500	1k	2k	3k	4k
12pF	120																														
15	150																														
18	180																														
22	220																														
27	270																														
33	330																														
39	390																														
47	470																														
56	560																														
68	680																														
82	820																														
100	101																														
120	121																														
150	151																														
180	181																														
220	221																														
270	271																														
330	331																														
390	391																														
470	471																														
560	561																														
680	681																														
820	821																														
1000	102																														
1200	122																														
1500	152																														
1800	182																														
2200	222																														
2700	272																														
3300	332																														
3900	392																														
4700	472																														
5600	562																														
6800	682																														
8200	822																														
.010uF	103																														
.012	123																														
.015	153																														

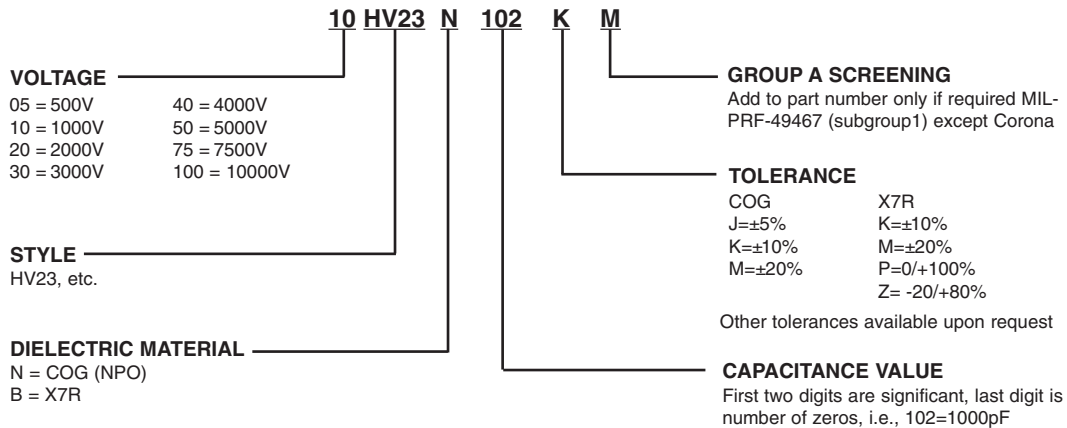
CAPACITOR OUTLINE DRAWING



DIMENSIONS

Style	Sizes in Inches (mm) max.			Lead Spacing ±0.030 (S)
	Length (L)	Height (H)	Thickness (T)	
HV20	.250 (6.35)	.220 (5.59)	.200 (5.08)	.170 (4.32)
HV21	.320 (8.13)	.280 (7.11)	.250 (6.35)	.220 (5.59)
HV22	.370 (9.40)	.300 (7.62)	.250 (6.35)	.275 (6.98)
HV23	.470 (11.94)	.400 (10.16)	.270 (6.89)	.375 (9.52)
HV24	.570 (14.48)	.500 (12.70)	.270 (6.89)	.475 (12.06)
HV25	.670 (17.02)	.600 (15.24)	.270 (6.89)	.575 (14.60)
HV26	.770 (19.56)	.720 (18.29)	.270 (6.89)	.675 (17.14)
HV30	.450 (11.43)	.220 (5.59)	.200 (5.08)	.300 (7.62)
HV31	.550 (13.97)	.280 (7.11)	.250 (6.35)	.400 (10.16)
HV33	.850 (21.59)	.400 (10.16)	.270 (6.89)	.700 (17.78)
HV34	1.050 (26.67)	.500 (12.70)	.270 (6.89)	.975 (24.76)
HV35	1.250 (31.75)	.600 (15.24)	.270 (6.89)	1.175 (29.84)
HV36	1.450 (36.83)	.720 (18.29)	.270 (6.89)	1.375 (34.92)

PART NUMBER AND ORDERING INFORMATION



MARKING

(HV20, HV21)	(All Other Sizes)
103K	HV24A103K
1 kV	1 kV
KEC	KEC
Date Code	Date Code

COG DIELECTRIC

STYLE COG		HV20				HV21				HV22				HV23				HV24					HV25					HV26									
		W max	L max	T max	S ±.030	W max	L max	T max	S ±.030	W max	L max	T max	S ±.030	W max	L max	T max	S ±.030	W max	L max	T max	S ±.030	W max	L max	T max	S ±.030	W max	L max	T max	S ±.030	W max	L max	T max	S ±.030				
Cap	Lead Dia. +.004/-0.002	.025 (.635)				.025 (.635)				.025 (.635)				.025 (.635)				.025 (.635)					.025 (.635)					.025 (.635)									
	Cap Code	WVDC				WVDC				WVDC				WVDC				WVDC					WVDC					WVDC									
	Cap pF	500	1k	2k	3k	500	1k	2k	3k	500	1k	2k	3k	500	1k	2k	3k	4k	500	1k	2k	3k	4k	5k	500	1k	2k	3k	4k	5k	500	1k	2k	3k	4k	5k	
12pF	120																																				
15	150																																				
18	180																																				
22	220																																				
27	270																																				
33	330																																				
39	390																																				
47	470																																				
56	560																																				
68	680																																				
82	820																																				
100	101																																				
120	121																																				
150	151																																				
180	181																																				
220	221																																				
270	271																																				
330	331																																				
390	391																																				
470	471																																				
560	561																																				
680	681																																				
820	821																																				
1000	102																																				
1200	122																																				
1500	152																																				
1800	182																																				
2200	222																																				
2700	272																																				
3300	332																																				
3900	392																																				
4700	472																																				
5600	562																																				
6800	682																																				
8200	822																																				
.010uF	103																																				
.012	123																																				
.015	153																																				
.018	183																																				
.022	223																																				
.027	273																																				
.033	333																																				
.039	393																																				
.047	473																																				
.056	563																																				
.068	683																																				
.082	823																																				
.10	104																																				

X7R DIELECTRIC

STYLE X7R	HV20			HV21			HV22			HV23			HV24					HV25					HV26															
	W max	L max	T max	S ±.030	Lead Dia. +.004/-0.02	Cap Code	PF	500	1k	2k	500	1k	2k	3k	500	1k	2k	3k	500	1k	2k	3k	4k	5k	500	1k	2k	3k	4k	5k	500	1k	2k	3k	4k	5k		
270pF	271																																					
330	331																																					
390	391																																					
470	471																																					
560	561																																					
680	681																																					
820	821																																					
1000	102																																					
1200	122																																					
1500	152																																					
1800	182																																					
2200	222																																					
2700	272																																					
3300	332																																					
3900	392																																					
4700	472																																					
5600	562																																					
6800	682																																					
8200	822																																					
.010uF	103																																					
.012	123																																					
.015	153																																					
.018	183																																					
.022	223																																					
.027	273																																					
.033	333																																					
.039	393																																					
.047	473																																					
.056	563																																					
.068	683																																					
.082	823																																					
.10	104																																					
.12	124																																					
.15	154																																					
.18	184																																					
.22	224																																					
.27	274																																					
.33	334																																					
.39	394																																					
.47	474																																					
.56	564																																					
.68	684																																					
.82	824																																					
1.0	105																																					
1.2	125																																					
1.5	155																																					
1.8	185																																					
2.2	225																																					

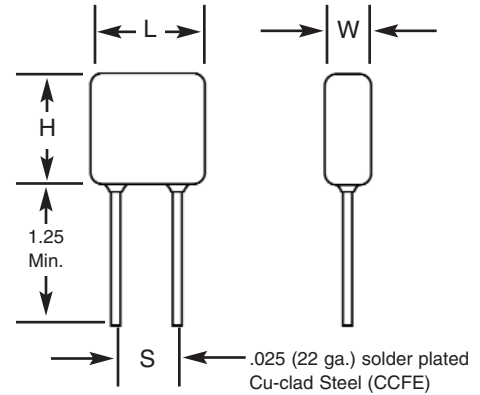
X7R DIELECTRIC

STYLE	X7R	HV30	HV31	HV33	HV34	HV35	HV36
W max		.450 (11.43)	.550 (13.97)	.850 (21.59)	1.050 (26.67)	1.250 (31.75)	1.450 (36.83)
L max		.220 (5.59)	.280 (7.11)	.400 (10.16)	.500 (12.70)	.600 (15.24)	.720 (18.29)
T max		.200 (5.08)	.250 (6.35)	.270 (6.89)	.270 (6.89)	.270 (6.89)	.270 (6.89)
S ±.030		.300 (7.62)	.400 (10.16)	.700 (17.78)	.975 (24.76)	1.175 (29.84)	1.375 (34.92)
Lead Dia. +.004/-0.002		.025 (.635)	.025 (.635)	.025 (.635)	.025 (.635)	.025 (.635)	.025 (.635)
Cap Code		WVDC	WVDC	WVDC	WVDC	WVDC	WVDC
Cap	pF	50 1k 2k 3k 4k 500 1k 2k 3k 4k 5k 500 1k 2k 3k 4k 5k 7k 500 1k 2k 3k 4k 5k 7k 10k 500 1k 2k 3k 4k 5k 7k 10k 500 1k 2k 3k 4k 5k 7.5k 10k					
150pF	151						
180	181						
220	221						
270	271						
330	331						
390	391						
470	471						
560	561						
680	681						
820	821						
1000	102						
1200	122						
1500	152						
1800	182						
2200	222						
2700	272						
3300	332						
3900	392						
4700	472						
5600	562						
6800	682						
8200	822						
.010uF	103						
.012	123						
.015	153						
.018	183						
.022	223						
.027	273						
.033	333						
.039	393						
.047	473						
.056	563						
.068	683						
.082	823						
.10	104						
.12	124						
.15	154						
.18	184						
.22	224						
.27	274						
.33	334						
.39	394						
.47	474						
.56	564						
.68	684						
.82	824						
1.0	105						
1.2	125						
1.5	155						
1.8	185						
2.2	225						
2.7	275						
3.3	335						
3.9	395						
4.7	475						
5.6	565						

FEATURES

1. Electrical characteristics and environmental information on these parts may be obtained by referring to MIL-PRF-49467.
2. All parts are conformal coated multilayer ceramic.
3. Designed to provide excellent long-term reliability.
4. Parts are Group A screened per MIL-PRF-49467 which includes 100% Corona testing and meet all other specification requirements.
5. Designed for surface, sea and airborne military and commercial high-reliability applications.
6. No IR degradation over life.
7. BR (X7R) V/TC is -40% at rated voltage and BZ (X7R) V/TC is -40% at 60% rated voltage.
8. BX characteristic (-25%) on BR parts is approximately 52% rated voltage.
9. 100% Non-destructive test by means of CSAM inspection available. SLAM available by special order.

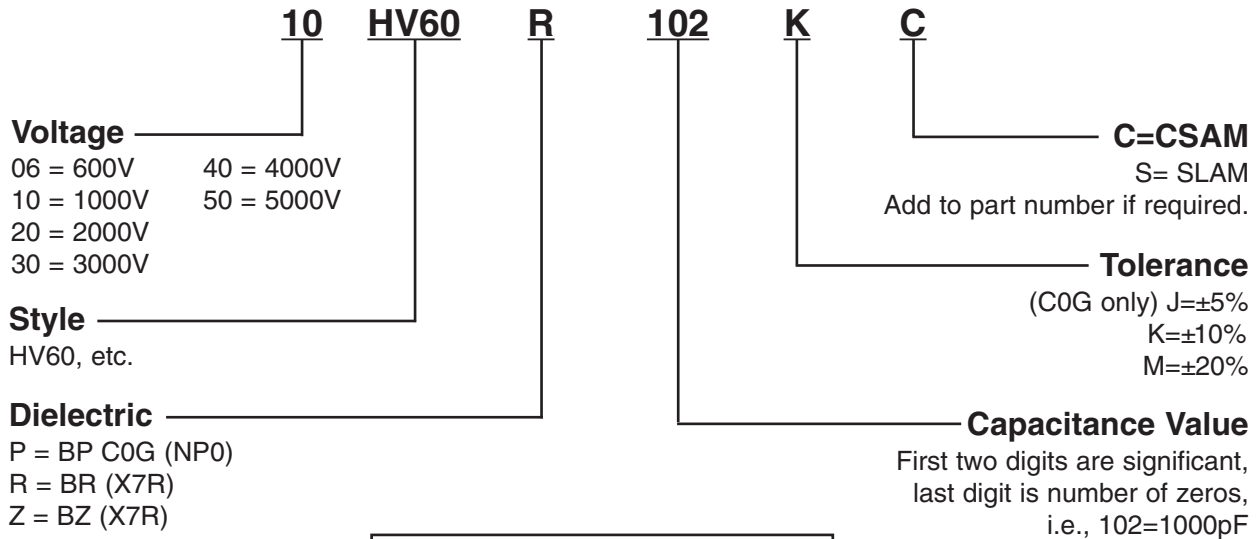
CAPACITOR OUTLINE DRAWING



DIMENSIONS

Style	Sizes in Inches (mm) max.			Lead Spacing ±0.030 (S)
	Length (L)	Height (H)	Thickness (W)	
HV60	.250 (6.35)	.220 (5.59)	.200 (5.08)	.170 (4.32)
HV61	.320 (8.13)	.280 (7.11)	.250 (6.35)	.220 (5.59)
HV62	.370 (9.40)	.300 (7.62)	.250 (6.35)	.275 (6.98)
HV63	.470 (11.94)	.400 (10.16)	.270 (6.86)	.375 (9.52)
HV64	.570 (14.48)	.500 (12.70)	.270 (6.86)	.475 (12.06)
HV65	.670 (17.02)	.600 (15.24)	.270 (6.86)	.575 (14.60)
HV66	.770 (19.56)	.720 (18.29)	.270 (6.86)	.675 (17.14)
HV68	1.300 (33.02)	.600 (15.24)	.270 (6.86)	1.175 (29.84)
HV69	1.500 (38.10)	.720 (18.29)	.270 (6.86)	1.375 (34.92)

PART NUMBER AND ORDERING INFORMATION



MARKING

(HV60, HV61)	(All Other Sizes)
102K	HV63R102K
1 kV	1 kV
KEC	KEC
Date Code	Date Code



HIGH VOLTAGE MIL-PRF-49467 (EQUIVALENT) HV SERIES

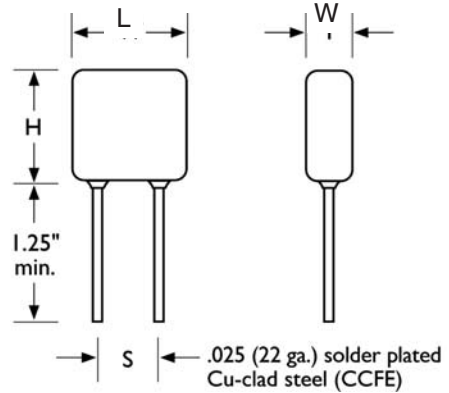
COG DIELECTRIC

STYLE	COG	HV60				HV61				HV62				HV63					HV64					HV65					HV66							
		W max				L max				T max				S ±.030				Lead Dia. +.004/-0.002				Cap Code					Cap pF									
		600	1k	2k	600	1k	2k	3k	600	1k	2k	3k	600	1k	2k	3k	4k	600	1k	2k	3k	4k	5k	1k	2k	3k	4k	5k	1k	2k	3k	4k	5k			
12pF	120																																			
15	150																																			
18	180																																			
22	220																																			
27	270																																			
33	330																																			
39	390																																			
47	470																																			
56	560																																			
68	680																																			
82	820																																			
100	101																																			
120	121																																			
150	151																																			
180	181																																			
220	221																																			
270	271																																			
330	331																																			
390	391																																			
470	471																																			
560	561																																			
680	681																																			
820	821																																			
1000	102																																			
1200	122																																			
1500	152																																			
1800	182																																			
2200	222																																			
2700	272																																			
3300	332																																			
3900	392																																			
4700	472																																			
5600	562																																			
6800	682																																			
8200	822																																			
.010uF	103																																			
.012	123																																			
.015	153																																			
.018	183																																			
.022	223																																			
.027	273																																			
.033	333																																			
.039	393																																			
.047	473																																			
.056	563																																			
.068	683																																			

FEATURES

1. Similar to NASA Spec. SSQ 21113 (1, 2 & 5kV).
2. Conforms to MIL-PRF-49467. (Group A Screening, Subgroup 1)
3. 100% Corona tested.
4. No IR degradation over life.
5. High density, low DF ceramic.
6. Conservative and proven design is recommended for non-repairable applications such as spacecraft.
7. CSAM inspections are available and is recommended for space applications. SLAM available by special order.
8. Burn-in in a non-contaminating inert fluid available.

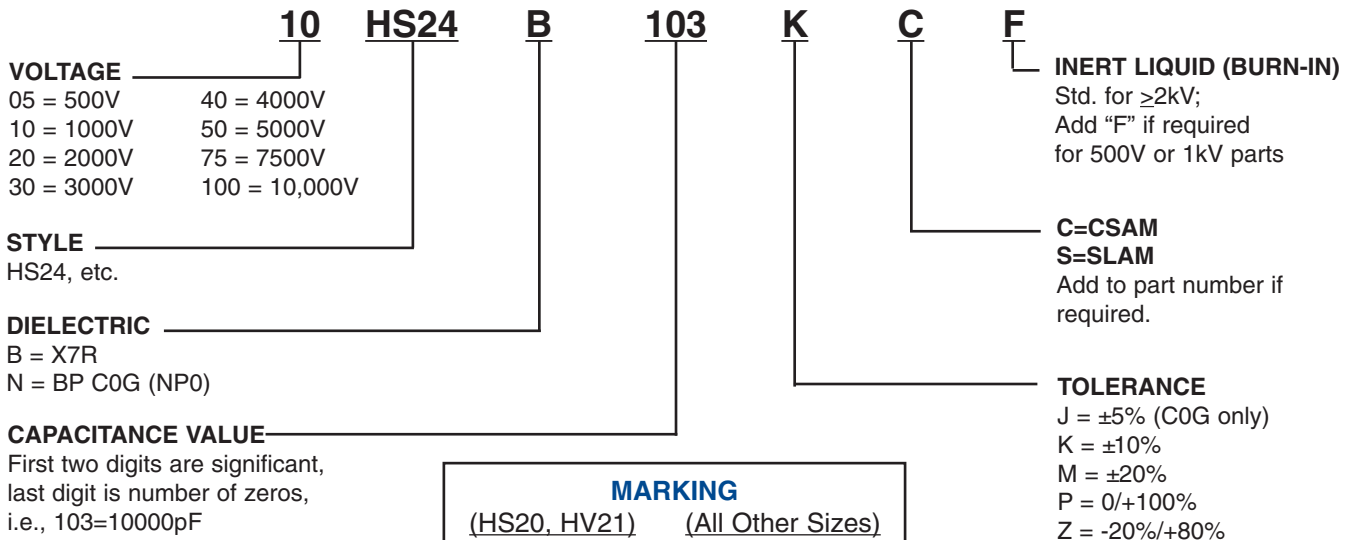
CAPACITOR OUTLINE DRAWING



DIMENSIONS

Style	Sizes in Inches (mm) max.			Lead Spacing ±0.030 (S)
	Length (L)	Height (H)	Thickness (W)	
HS20	.250 (6.35)	.220 (5.59)	.200 (5.08)	.170 (4.32)
HS21	.320 (8.13)	.280 (7.11)	.250 (6.35)	.220 (5.59)
HS22	.370 (9.40)	.300 (7.62)	.250 (6.35)	.275 (6.98)
HS30	.450 (11.43)	.220 (5.59)	.200 (5.08)	.300 (7.62)
HS23	.470 (11.94)	.400 (10.16)	.270 (6.89)	.375 (9.52)
HS31	.550 (13.97)	.280 (7.11)	.250 (6.35)	.400 (10.16)
HS24	.570 (14.48)	.500 (12.70)	.270 (6.89)	.475 (12.06)
HS25	.670 (17.02)	.600 (15.24)	.270 (6.89)	.575 (14.60)
HS26	.770 (19.56)	.720 (18.29)	.270 (6.89)	.675 (17.14)
HS33	.850 (21.59)	.400 (10.16)	.270 (6.89)	.700 (17.78)
HS34	1.050 (26.67)	.500 (12.70)	.270 (6.89)	.975 (24.76)
HS35	1.250 (31.75)	.600 (15.24)	.270 (6.89)	1.175 (29.84)
HS36	1.450 (36.83)	.720 (18.29)	.270 (6.89)	1.375 (34.92)

PART NUMBER AND ORDERING INFORMATION



MARKING	
(HS20, HV21)	(All Other Sizes)
103K	HS24B103K
1 kV	1 kV
KEC	KEC
Date Code	Date Code

COG DIELECTRIC

STYLE COG		HS20			HS21			HS22			HS23				HS24					HS25					HS26											
Cap	W max	.250 (6.35)			.320 (8.13)			.370(9.40)			.470 (11.94)				.570 (14.48)					.670 (17.02)					.770 (19.56)											
	L max	.220 (5.59)			.280 (7.11)			.300 (7.62)			.400 (10.16)				.500 (12.70)					.600 (15.24)					.720 (18.29)											
	T max	.200 (5.08)			.250 (6.35)			.250 (6.35)			.270 (6.86)				.270 (6.86)					.270 (6.86)					.270 (6.86)											
	S ± .030	.170 (4.32)			.220 (5.59)			.275 (6.98)			.375 (9.52)				.475 (12.06)					.575 (14.60)					.675 (17.14)											
	Lead Dia. +.004/-0.02	.025 (.635)			.025 (.635)			.025 (.635)			.025 (.635)				.025 (.635)					.025 (.635)					.025 (.635)											
	Cap Code	WVDC			WVDC			WVDC			WVDC				WVDC					WVDC					WVDC											
	Cap	pF	500	1k	2k	500	1k	2k	500	1k	2k	500	1k	2k	3k	500	1k	2k	3k	4k	5k	500	1k	2k	3k	4k	5k	500	1k	2k	3k	4k	5k			
	10pF	100																																		
	12	120																																		
	15	150																																		
	18	180																																		
	22	220																																		
	27	270																																		
	33	330																																		
	39	390																																		
	47	470																																		
	56	560																																		
	68	680																																		
	82	820																																		
	100	101																																		
	120	121																																		
	150	151																																		
	180	181																																		
	220	221																																		
	270	271																																		
	330	331																																		
	390	391																																		
	470	471																																		
	560	561																																		
	680	681																																		
	820	821																																		
	1000	102																																		
	1200	122																																		
	1500	152																																		
	1800	182																																		
	2200	222																																		
	2700	272																																		
	3300	332																																		
	3900	392																																		
	4700	472																																		
	5600	562																																		
	6800	682																																		
	8200	822																																		
	.010uF	103																																		
	.012	123																																		
	.015	153																																		
	.018	183																																		
	.022	223																																		
	.027	273																																		
	.033	333																																		
	.039	393																																		
	.047	473																																		
	.056	563																																		
	.068	683																																		
	.082	823																																		
	.10	104																																		
	.12	124																																		
	.15	154																																		

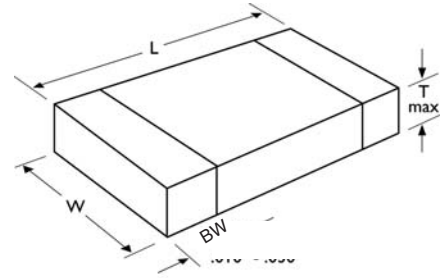
X7R DIELECTRIC

STYLE X7R		HS20			HS21			HS22			HS23				HS24					HS25					HS26					
Cap	W max	.250 (6.35)			.320 (8.13)			.370(9.40)			.470 (11.94)				.570 (14.48)					.670 (17.02)					.770 (19.56)					
	L max	.220 (5.59)			.280 (7.11)			.300 (7.62)			.400 (10.16)				.500 (12.70)					.600 (15.24)					.720 (18.29)					
	T max	.200 (5.08)			.250 (6.35)			.250 (6.35)			.270 (6.86)				.270 (6.86)					.270 (6.86)					.270 (6.86)					
	S ±.030	.170 (4.32)			.220 (5.59)			.275 (6.98)			.375 (9.52)				.475 (12.06)					.575 (14.60)					.675 (17.14)					
	Lead Dia. ±.004±.002	.025 (.635)			.025 (.635)			.025 (.635)			.025 (.635)				.025 (.635)					.025 (.635)					.025 (.635)					
	Cap Code	WVDC			WVDC			WVDC			WVDC				WVDC					WVDC					WVDC					
pF	500	1k	2k	500	1k	2k	500	1k	2k	500	1k	2k	3k	500	1k	2k	3k	4k	500	1k	2k	3k	4k	5k	500	1k	2k	3k	4k	5k
270pF	271																													
330	331																													
390	391																													
470	471																													
560	561																													
680	681																													
820	821																													
1000	102																													
1200	122																													
1500	152																													
1800	182																													
2200	222																													
2700	272																													
3300	332																													
3900	392																													
4700	472																													
5600	562																													
6800	682																													
8200	822																													
.010uF	103																													
.012	123																													
.015	153																													
.018	183																													
.022	223																													
.027	273																													
.033	333																													
.039	393																													
.047	473																													
.056	563																													
.068	683																													
.082	823																													
.10	104																													
.12	124																													
.15	154																													
.18	184																													
.22	224																													
.27	274																													
.33	334																													
.39	394																													
.47	474																													
.56	564																													
.68	684																													
.82	824																													
1.0	105																													

FEATURES

1. The ceramic chip capacitors described in this section are the types used in our other high voltage ceramic multilayer product lines.
2. Types BP, BR and BZ available as described in MIL-PRF-49467.
3. Group A and B screening per MIL-PRF-49467 available.
4. Ceramic chip capacitors are extremely sensitive to thermal shock damage during installation. Wherever possible, processes involving infrared or vapor phase soldering systems should be utilized.
5. Higher voltages available upon request
6. Where nickel barrier termination is required, end band length dimensions may exceed the standard dimension listed.

CERAMIC CHIP OUTLINE DRAWING

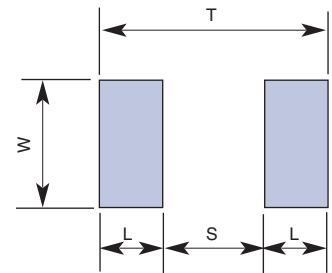


DIMENSIONS

Style	Length (L) Inches (mm)	Width (W) Inches (mm)	Thickness (T) max Inches (mm)	Bandwidth (BW) Inches
1515	.150 ±.015 (3.81 ±.38)	.150 ±.015 (3.81 ±.38)	.140 (3.55)	.010 - .030"
1812	.180 ±.020 (4.57 ±.51)	.120 ±.015 (3.05 ±.38)	.100 (2.54)	.010 - .040"
1825	.180 ±.020 (4.57 ±.51)	.250 ±.020 (6.35 ±.51)	.160 (4.07)	.010 - .040"
2020	.200 ±.020 (5.08 ±.51)	.200 ±.020 (5.08 ±.51)	.180 (3.55)	.010 - .040"
2225	.220 ±.020 (5.59 ±.51)	.250 ±.020 (6.35 ±.51)	.200 (5.08)	.010 - .040"
2520	.250 ±.020 (6.35 ±.51)	.200 ±.020 (5.08 ±.51)	.180 (4.57)	.030 - .060"
3333	.330 ±.030 (8.38 ±.76)	.330 ±.030 (8.38 ±.76)	.220 (5.59)	.030 - .060"
3530	.350 ±.030 (8.89 ±.76)	.300 ±.030 (7.62 ±.76)	.220 (5.59)	.030 - .060"
4040	.400 ±.030 (10.2 ±.76)	.400 ±.030 (10.2 ±.76)	.220 (5.59)	.030 - .060"
4540	.450 ±.030 (11.43 ±.76)	.400 ±.030 (10.2 ±.76)	.220 (5.59)	.030 - .060"
5440	.540 ±.030 (13.7 ±.76)	.400 ±.030 (10.2 ±.76)	.220 (5.59)	.030 - .060"
5550	.550 ±.030 (14.0 ±.76)	.500 ±.030 (12.7 ±.76)	.220 (5.59)	.030 - .060"
6560	.650 ±.030 (16.5 ±.76)	.600 ±.030 (15.2 ±.76)	.220 (5.59)	.030 - .060"

RECOMMENDED SOLDER PAD PATTERN DIMENSIONS

Chip Size	T (Total Length)		S (Separation)		W (Pad Width)		L (Pad Length)	
	mm	in.	mm	in.	mm	in.	mm	in.
1515	5.20	0.205	1.90	0.075	4.34	0.171	1.65	0.065
1812	5.90	0.232	2.30	0.091	3.70	0.146	1.80	0.071
1825	5.90	0.232	2.30	0.091	6.90	0.272	1.80	0.071
2020	6.50	0.256	2.80	0.110	5.62	0.221	1.85	0.073
2225	7.00	0.276	3.30	0.130	6.80	0.268	1.85	0.073
2520	8.68	0.342	4.98	0.196	5.62	0.221	1.85	0.073
3333	10.91	0.430	7.11	0.280	9.27	0.365	1.90	0.075
3530	11.51	0.453	7.61	0.300	8.51	0.335	1.95	0.077
4040	12.88	0.507	8.88	0.350	11.05	0.435	2.00	0.079
4540	14.21	0.559	10.15	0.400	11.05	0.435	2.03	0.080
5440	16.51	0.650	10.41	0.410	11.05	0.435	3.05	0.120
5550	18.92	0.745	12.82	0.505	13.59	0.535	3.05	0.120
6560	19.80	0.780	13.20	0.520	16.13	0.635	3.30	0.130



PART NUMBER AND ORDERING INFORMATION

4540 B 472 M 202 P M

- Style**
1515, 2020, etc.
- Dielectric**
B or R = X7R
N = C0G (NP0)
- Capacitance Value**
First two digits are significant, last digit is number of zeros, i.e., 472=4700pF
- Tolerance**
J = ±5% C0G (NP0)
K = ±10%
M = ±20%
P = 0/+100%
Z = -20%/+80%
- Group A Screening***
Add to part number if required
*MIL-PRF-49467 (subgroup 1) except Corona
- Terminal Material**
P = PdAg
S = Ag
E = Ag/Ni/Sn/Pb Plate
C = Ag/Ni/Sn Plate
- Voltage**
First two digits are significant, last digit is number of zeros, i.e., 202=2000V

MARKING
Not applicable
As required by customer only.

COG DIELECTRIC

STYLE COG		1515				1812				1825				2020				2225				2520				3333					3530								
Cap	L	.150 ±.015 (3.81 ±.38)				.180 ±.020(4.57 ±.51)				.180 ±.020(4.57 ±.51)				.200 ±.020(5.08 ±.51)				.220 ±.020(5.59±.51)				.250 ±.020(6.35±.51)				.330 ±.030(8.38±.76)					.350 ±.030(8.89±.76)								
	W	.150 ±.015 (3.81 ±.38)				.120 ±.015 (3.05±.38)				.250 ±.020(6.35±.51)				.200 ±.020(5.08 ±.51)				.250 ±.020(6.35±.51)				.200 ±.020(5.08 ±.51)				.330 ±.030(8.38±.76)					.300 ±.030(7.62±.76)								
	T max	.140 (3.55)				.100 (2.54)				.160 (4.07)				.180 (3.55)				.200 (5.08)				.180 (3.55)				.220 (5.59)					.220 (5.59)								
	Band Width	.010 - .030"				.010 - .040"				.010 - .040"				.010 - .040"				.010 - .040"				.030 - .060"				.030 - .060"					.030 - .060"								
Cap	pF	WVDC				WVDC				WVDC				WVDC				WVDC				WVDC				WVDC					WVDC								
		500	1k	2k	3k	500	1k	2k	3k	500	1k	2k	3k	500	1k	2k	3k	500	1k	2k	3k	500	1k	2k	3k	500	1k	2k	3k	4k	500	1k	2k	3k	4k				
10pF	100																																						
12	120																																						
15	150																																						
18	180																																						
22	220																																						
27	270																																						
33	330																																						
39	390																																						
47	470																																						
56	560																																						
68	680																																						
82	820																																						
100	101																																						
120	121																																						
150	151																																						
180	181																																						
220	221																																						
270	271																																						
330	331																																						
390	391																																						
470	471																																						
560	561																																						
680	681																																						
820	821																																						
1000	102																																						
1200	122																																						
1500	152																																						
1800	182																																						
2200	222																																						
2700	272																																						
3300	332																																						
3900	392																																						
4700	472																																						
5600	562																																						
6800	682																																						
8200	822																																						
.010uF	103																																						
.012	123																																						
.015	153																																						
.018	183																																						
.022	223																																						
.027	273																																						
.033	333																																						
.039	393																																						
.047	473																																						
.056	563																																						
.068	683																																						
.082	823																																						
.10	104																																						

COG DIELECTRIC

STYLE COG		4040					4540					5440					5550					6560						
		L					L					L					L					L						
	L	.400 ±.030(10,20±.76)					.450 ±.030(11,43±.76)					.540 ±.030(13,70±.76)					.550 ±.030(14,00±.76)					.650 ±.030(16,50±.76)						
	W	.400 ±.030(10,20±.76)					.400 ±.030(10,20±.76)					.400 ±.030(10,20±.76)					.500 ±.030(10,20±.76)					.600 ±.030(15,20±.76)						
	T max	.220 (5,59)					.220 (5,59)					.220 (5,59)					.220 (5,59)					.220 (5,59)						
	Band Width	.030 - .060"					.030 - .060"					.030 - .060"					.030 - .060"					.030 - .060"						
Cap	Cap Code pF	WVDC					WVDC					WVDC					WVDC					WVDC						
		500	1k	2k	3k	4k	500	1k	2k	3k	4k	5k	500	1k	2k	3k	4k	500	1k	2k	3k	4k	5k	500	1k	2k	3k	4k
10pF	100																											
12	120																											
15	150																											
18	180																											
22	220																											
27	270																											
33	330																											
39	390																											
47	470																											
56	560																											
68	680																											
82	820																											
100	101																											
120	121																											
150	151																											
180	181																											
220	221																											
270	271																											
330	331																											
390	391																											
470	471																											
560	561																											
680	681																											
820	821																											
1000	102																											
1200	122																											
1500	152																											
1800	182																											
2200	222																											
2700	272																											
3300	332																											
3900	392																											
4700	472																											
5600	562																											
6800	682																											
8200	822																											
.010uF	103																											
.012	123																											
.015	153																											
.018	183																											
.022	223																											
.027	273																											
.033	333																											
.039	393																											
.047	473																											
.056	563																											
.068	683																											
.082	823																											
.10	104																											

X7R DIELECTRIC

STYLE X7R		1515			1812			1825				2020				2225				2520				3333				3530				
Cap	L	.150±.015 (3.81 ± .38)			.180 ±.020(4.57 ±.51)			.180 ±.020(4.57 ±.51)				.200 ±.020(5.08 ±.51)				.220 ±.020(5.59±.51)				.250 ±.020(6.35±.51)				.330 ±.030(8.38±.76)				.350 ±.030(8.89±.76)				
	W	.150±.015 (3.81 ± .38)			.120 ±.015 (3.05 ±.38)			.250 ±.020(6.35±.51)				.200 ±.020(5.08 ±.51)				.250 ±.020(6.35±.51)				.200 ±.020(5.08 ±.51)				.330 ±.030(8.38±.76)				.300 ±.030(7.62±.76)				
	T max	.140 (3.55)			.100 (2.54)			.160 (4.07)				.180 (3.55)				.200 (5.08)				.180 (3.55)				.220 (5.59)				.220 (5.59)				
	Band Width	.010 - .030"			.010 - .040"			.010 - .040"				.010 - .040"				.010 - .040"				.030 - .060"				.030 - .060"				.030 - .060"				
Cap Code pF	WVDC	WVDC			WVDC				WVDC				WVDC				WVDC				WVDC				WVDC							
	500	1k	2k	500	1k	2k	500	1k	2k	3k	500	1k	2k	3k	500	1k	2k	3k	500	1k	2k	3k	500	1k	2k	3k	500	1k	2k	3k	4k	
220pF	221																															
270	271																															
330	331																															
390	391																															
470	471																															
560	561																															
680	681																															
820	821																															
1000	102																															
1200	122																															
1500	152																															
1800	182																															
2200	222																															
2700	272																															
3300	332																															
3900	392																															
4700	472																															
5600	562																															
6800	682																															
8200	822																															
.010uF	103																															
.012	123																															
.015	153																															
.018	183																															
.022	223																															
.027	273																															
.033	333																															
.039	393																															
.047	473																															
.056	563																															
.068	683																															
.082	823																															
.10	104																															
.12	124																															
.15	154																															
.18	184																															
.22	224																															
.27	274																															
.33	334																															
.39	394																															
.47	474																															
.56	564																															
.68	684																															
.82	824																															
1.0	105																															
1.2	125																															
1.5	155																															
1.8	185																															
2.2	225																															

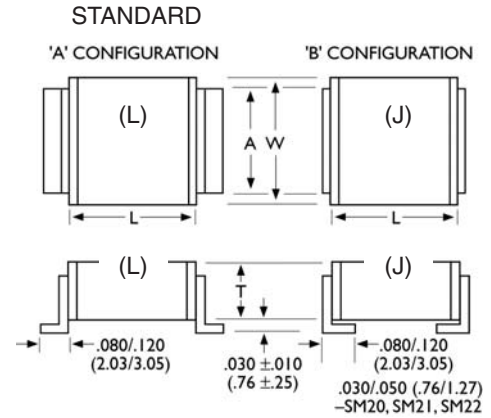
X7R DIELECTRIC

STYLE X7R		4040					4540					5440					5550					6560						
Cap	L	.400 ±.030(10,20±.76)					.450 ±.030(11,43±.76)					.540 ±.030(13,70±.76)					.550 ±.030(14,00±.76)					.650 ±.030(16,50±.76)						
	W	.400 ±.030(10,20±.76)					.400 ±.030(10,20±.76)					.400 ±.030(10,20±.76)					.500 ±.030(10,20±.76)					.600 ±.030(15,20±.76)						
	T max	.220 (5,59)					.220 (5,59)					.220 (5,59)					.220 (5,59)					.220 (5,59)						
	Band Width	.030 - .060*					.030 - .060*					.030 - .060*					.030 - .060*					.030 - .060*						
Cap Code	WVDC					WVDC					WVDC					WVDC					WVDC							
pF	500	1k	2k	3k	4k	500	1k	2k	3k	4k	5k	500	1k	2k	3k	4k	500	1k	2k	3k	4k	5k	500	1k	2k	3k	4k	5k
220pF	221																											
270	271																											
330	331																											
390	391																											
470	471																											
560	561																											
680	681																											
820	821																											
1000	102																											
1200	122																											
1500	152																											
1800	182																											
2200	222																											
2700	272																											
3300	332																											
3900	392																											
4700	472																											
5600	562																											
6800	682																											
8200	822																											
.010uF	103																											
.012	123																											
.015	153																											
.018	183																											
.022	223																											
.027	273																											
.033	333																											
.039	393																											
.047	473																											
.056	563																											
.068	683																											
.082	823																											
.10	104																											
.12	124																											
.15	154																											
.18	184																											
.22	224																											
.27	274																											
.33	334																											
.39	394																											
.47	474																											
.56	564																											
.68	684																											
.82	824																											
1.0	105																											
1.2	125																											
1.5	155																											
1.8	185																											
2.2	225																											

FEATURES

1. Silver plated copper alloy terminal for easy soldering.
2. Mounting tabs are designed to minimize the effect of thermal stress introduced by the differences in coefficient of thermal expansion between the capacitor and the mounting surface.
3. Low ESR.
4. High current discharge capability.
5. Group A and B screening per MIL-PRF-49467 available .
6. Standard lead configuration is 'B'.(J) If lead configuration is left out of part number the lead style is assumed to be 'B'.

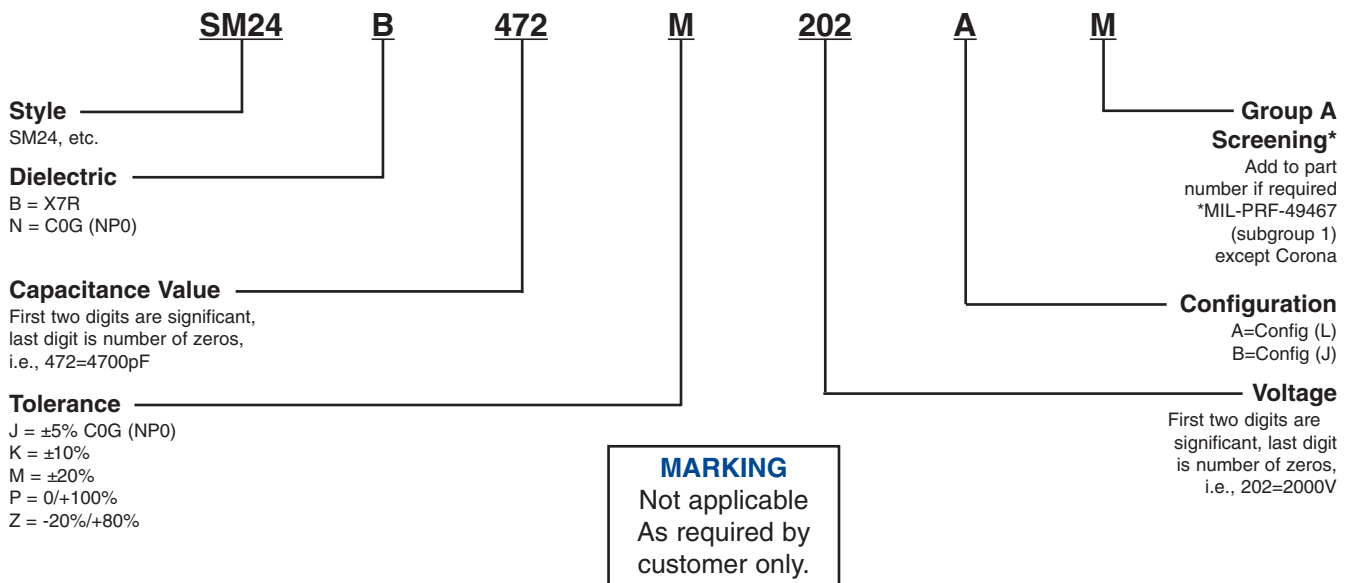
CAPACITOR OUTLINE DRAWING



DIMENSIONS

Style	Length (L) Inches (mm)	Width (W) Inches (mm)	Thickness (T) max Inches (mm)	Tab (A) max Inches (mm)
SM20	.150 ±.015 (3.81 ±.38)	.150 ±.015 (3.81 ±.38)	.130 (3.30)	.100 (2.54)
SM21	.200 ±.020 (5.08 ±.51)	.200 ±.020 (5.08 ±.51)	.180 (4.57)	.100 (2.54)
SM22	.250 ±.020 (6.35 ±.51)	.200 ±.020 (5.08 ±.51)	.180 (4.57)	.100 (2.54)
SM23	.350 ±.030 (8.89 ±.76)	.300 ±.030 (7.62 ±.76)	.220 (5.59)	.200 (5.08)
SM24	.450 ±.030 (11.43 ±.76)	.400 ±.030 (10.20 ±.76)	.220 (5.59)	.300 (7.62)
SM25	.550 ±.030 (14.00 ±.76)	.500 ±.030 (12.70 ±.76)	.220 (5.59)	.400 (10.2)
SM26	.650 ±.030 (16.50 ±.76)	.600 ±.030 (15.20 ±.76)	.220 (5.59)	.500 (12.7)
SM30	.300 ±.030 (7.62 ±.76)	.150 ±.015 (3.81 ±.38)	.140 (3.55)	.100 (2.54)
SM31	.400 ±.030 (10.20 ±.76)	.200 ±.020 (5.08 ±.51)	.130 (3.30)	.100 (2.54)
SM33	.700 ±.030 (17.08 ±.76)	.300 ±.030 (7.62 ±.76)	.180 (4.57)	.200 (5.08)
SM34	.900 ±.030 (22.90 ±.76)	.400 ±.030 (10.20 ±.76)	.220 (5.59)	.300 (7.62)
SM35	1.100 ±.030 (27.90 ±.76)	.500 ±.030 (12.70 ±.76)	.220 (5.59)	.400 (10.2)
SM36	1.350 ±.030 (33.00 ±.76)	.600 ±.030 (15.20 ±.76)	.220 (5.59)	.500 (12.7)

PART NUMBER AND ORDERING INFORMATION



COG DIELECTRIC

STYLE	COG	SM20				SM21				SM22				SM23					SM24					SM25					SM26									
Cap	L	.150±.015(3.31 ±.38)				.200±.020(5.08 ±.51)				.250 ± .020 (6.35 ±.51)				.350 ±.030 (8.89 ±.76)					.450 ±.030 (11.43 ±.76)					.550 ±.030 (14.00 ±.76)					.650 ±.030 (16.50 ±.76)									
	W	.150±.015(3.31 ±.38)				.200±.020(5.08 ±.51)				.200±.020(5.08 ±.51)				.300 ±.030 (7.62 ±.76)					.400 ±.030 (10.20 ±.76)					.500 ±.030 (12.70 ±.76)					.600 ±.030 (15.20 ±.76)									
	T max	.130 (3.30)				.180 (4.57)				.180 (4.57)				.220 (5.59)					.220 (5.59)					.220 (5.59)					.220 (5.59)									
	Tab A max	.100 (2.54)				.100 (2.54)				.100 (2.54)				.200 (5.08)					.300 (7.62)					.400 (10.20)					.500 (12.70)									
	Cap Code	VVDC				VVDC				VVDC				VVDC					VVDC					VVDC					VVDC									
pF		500	1k	2k	3k	500	1k	2k	3k	500	1k	2k	3k	500	1k	2k	3k	4k	500	1k	2k	3k	4k	5k	500	1k	2k	3k	4k	5k	500	1k	2k	3k	4k	5k		
12pF	120																																					
15	150																																					
18	180																																					
22	220																																					
27	270																																					
33	330																																					
39	390																																					
47	470																																					
56	560																																					
68	680																																					
82	820																																					
100	101																																					
120	121																																					
150	151																																					
180	181																																					
220	221																																					
270	271																																					
330	331																																					
390	391																																					
470	471																																					
560	561																																					
680	681																																					
820	821																																					
1000	102																																					
1200	122																																					
1500	152																																					
1800	182																																					
2200	222																																					
2700	272																																					
3300	332																																					
3900	392																																					
4700	472																																					
5600	562																																					
6800	682																																					
8200	822																																					
.010uF	103																																					
.012	123																																					
.015	153																																					
.018	183																																					
.022	223																																					
.027	273																																					
.033	333																																					
.039	393																																					
.047	473																																					
.056	563																																					
.068	683																																					
.082	823																																					
.10	104																																					

单击下面可查看定价，库存，交付和生命周期等信息

[>>KEMET\(基美\)](#)