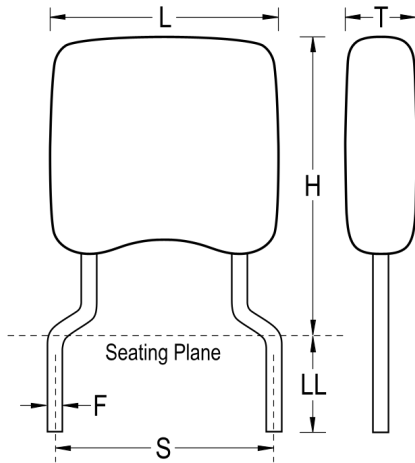


## C323C151KDR5TA

GoldMax 300 Comm X7R HV, Ceramic, 150 pF, 10%, 1000 VDC, X7R, GoldMax, Commercial Standard, Lead Spacing = 5.08mm



Click [here](#) for the 3D model.

| Dimensions |                      |
|------------|----------------------|
| L          | 5.08mm MAX           |
| H          | 7.62mm MAX           |
| T          | 3.81mm MAX           |
| S          | 5.08mm +/-0.78mm     |
| LL         | 7mm MIN              |
| F          | 0.51mm +0.1/-0.025mm |

| Packaging Specifications |           |
|--------------------------|-----------|
| Packaging                | Bulk, Bag |
| Packaging Quantity       | 500       |

| General Information |                              |
|---------------------|------------------------------|
| Series              | GoldMax 300 Comm X7R HV      |
| Style               | Radial                       |
| Description         | GoldMax, Commercial Standard |
| RoHS                | Yes                          |
| Termination         | Tin                          |
| Failure Rate        | N/A                          |
| AEC-Q200            | No                           |
| Halogen Free        | Yes                          |

| Specifications   |  |
|--|--|
| Capacitance  | 150 pF   |
| Measurement Condition  | 1 kHz 1.0Vrms                                      |
| Capacitance Tolerance  | 10%  |
| Voltage DC   | 1000 VDC   |
| Dielectric Withstanding Voltage                                    | 1200 VDC   |
| Temperature Range  | -55/+125°C   |
| Temperature Coefficient  | X7R  |
| Capacitance Change with Reference to +25°C and 0 VDC Applied (TCC) | 0.15, 1kHz 1.0Vrms                                 |
| Dissipation Factor   | 2.5% 1kHz 1.0Vrms                                  |
| Aging Rate   | 3% Loss/Decade Hour:<br>Referee Time is 1000 Hours |
| Insulation Resistance  | 100 GOhms  |

Statements of suitability for certain applications are based on our knowledge of typical operating conditions for such applications, but are not intended to constitute - and we specifically disclaim - any warranty concerning suitability for a specific customer application or use. This information is intended for use only by customers who have the requisite experience and capability to determine the correct products for their application. Any technical advice inferred from this information or otherwise provided by us with reference to the use of our products is given gratis, and we assume no obligation or liability for the advice given or results obtained.

单击下面可查看定价，库存，交付和生命周期等信息

[>>KEMET\(基美\)](#)