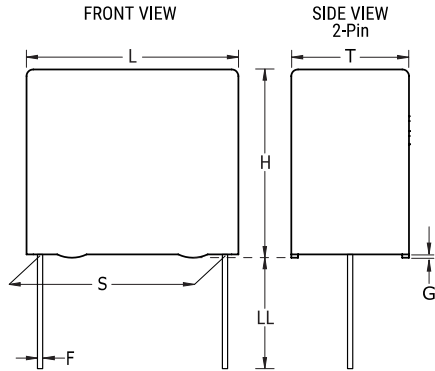


F881, Film, Metallized Polypropylene, Safety, 0.039 uF, 10%, 300 VAC (X1), 300 VAC (Y2), 1000 VDC, 110°C, Lead Spacing = 15mm



General Information	
Series:	F881
Dielectric:	Metallized Polypropylene
Style:	Radial
Features:	MKP EMI Safety
RoHS:	Yes
Lead:	Wire Leads
Safety Class:	Y2
Qualifications:	ENEC, UL, cUL, CQC
AEC-Q200:	No
THB Performance:	No
Shelf Life:	104 Weeks

Dimensions	
L	18mm -0.5mm
H	17.5mm -0.5mm
T	6mm -0.5mm
S	15mm +/-0.4mm
LL	17mm +0/-1mm
F	0.8mm +/-0.05mm
G	0.5mm NOM

Specifications	
Capacitance:	0.039 uF
Capacitance Tolerance:	10%
Voltage AC:	300 VAC (X1), 300 VAC (Y2)
Voltage DC:	1000 VDC
Temperature Range:	-40/+110°C
Rated Temperature:	110°C
Dissipation Factor:	0.3% 1kHz
Insulation Resistance:	30 GOhms
Max dV/dt:	600 V/us

Packaging Specifications	
Packaging:	Bulk, Bag
Packaging Quantity:	800

Statements of suitability for certain applications are based on our knowledge of typical operating conditions for such applications, but are not intended to constitute - and we specifically disclaim - any warranty concerning suitability for a specific customer application or use. This Information is intended for use only by customers who have the requisite experience and capability to determine the correct products for their application. Any technical advice inferred from this Information or otherwise provided by us with reference to the use of our products is given gratis, and we assume no obligation or liability for the advice given or results obtained.

单击下面可查看定价，库存，交付和生命周期等信息

[>>KEMET\(基美\)](#)