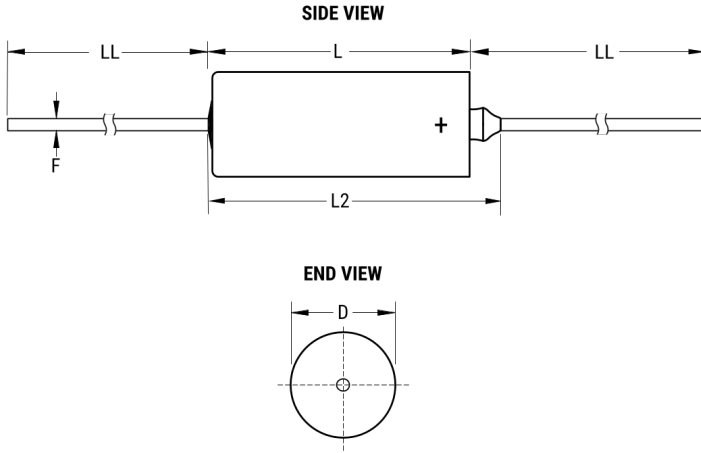


T140B126K030AS7200

Aliases (T140B126K030AS7241, T140B126K030ASTR)

T140, Tantalum, MnO₂ Tantalum, Commercial Grade, 12 uF, 10%, 30 VDC, 2.5 Ohms



Click [here](#) for the 3D model.

Dimensions

D	4.7mm +/-0.25mm
L	12.04mm +/-0.79mm
L2	15.49mm
LL	38.1mm +/-6.35mm
F	0.51mm +/-0.05mm

Packaging Specifications

Packaging	T&R, 305mm, Class I, B = 52.4mm
Packaging Quantity	2500

General Information

Series	T140
Dielectric	MnO ₂ Tantalum
Style	Axial Hermetic
Description	Axial, Solid Tantalum, Hermetically Sealed, Military (Non-ER), Polar
Features	Extended Capacitance, Polar
RoHS	No
Prop 65	⚠ WARNING: Cancer and reproductive harm - http://www.p65warnings.ca.gov .
SCIP Number	be146961-2c72-4b45-804a-c62bf7a8b23e
Termination	Lead (SnPb)
Lead	Wire Leads
AEC-Q200	No
Construction	Hermetic
Notes	Dimensions Include Insulating Sleeve. When supplied on T&R or AMMO, lead length is determined by taping specification.

Specifications

Capacitance	12 uF
Capacitance Tolerance	10%
Voltage DC	30 VDC (85C), 26 VDC (125C Surge), 0.3 VDC (125C Reverse)
Temperature Range	-55/+125°C
Rated Temperature	85°C
Dissipation Factor	4%
Resistance	2.5 Ohms (100kHz)
Leakage Current	3 uA (25°C)

单击下面可查看定价，库存，交付和生命周期等信息

[>>KEMET\(基美\)](#)