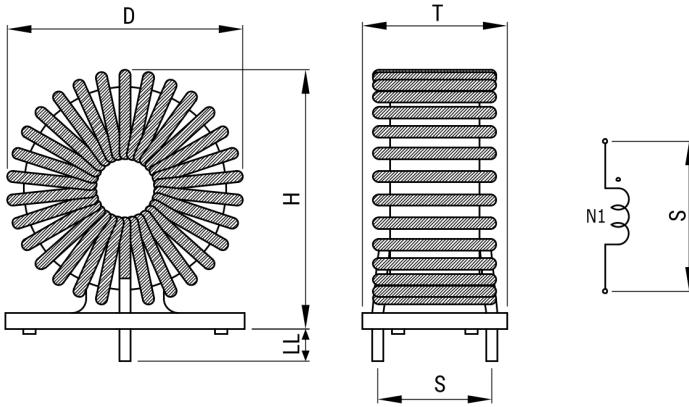


SN12-800J

Aliases (UALSN12800J000)

KEMET, SN-J, AC Line Filters, Normal Mode, 0.27 mH



Click [here](#) for the 3D model.

General Information

Series	SN-J
Style	Through-Hole
RoHS	Yes
Miscellaneous	Temperature Rise Maximum: 45 K
Core	Fe

Specifications

Inductance	270 uH (0.1 MHz)
Current	3 A
Temperature Range	-25/+105°C
DC Resistance	130 mOhms

Dimensions

D	29mm MAX
T	18mm MAX
H	29mm MAX
LL	7mm +/-2mm
S	10mm NOM
Wire Size	0.8mm

Packaging Specifications

Packaging	Tray
Component Weight	19 g

Statements of suitability for certain applications are based on our knowledge of typical operating conditions for such applications, but are not intended to constitute - and we specifically disclaim - any warranty concerning suitability for a specific customer application or use. This information is intended for use only by customers who have the requisite experience and capability to determine the correct products for their application. Any technical advice inferred from this information or otherwise provided by us with reference to the use of our products is given gratis, and we assume no obligation or liability for the advice given or results obtained.

单击下面可查看定价，库存，交付和生命周期等信息

[>>KEMET\(基美\)](#)