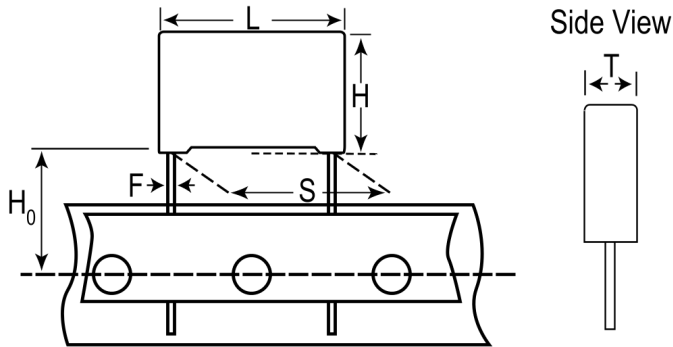


MMK15395K63B06L16.5TR18

Aliases (F601BL395K063L, MMK15395K63B06L16,5TR18)

MMK/F601, Film, Metallized Polyester, General Purpose, 3.9 uF, 10%, 63 VDC, 85°C, Lead Spacing = 15mm



Click [here](#) for the 3D model.

Dimensions

L	18mm MAX
H	14.5mm MAX
T	7.5mm MAX
S	15mm +0.6/-0.1mm
H ₀	16mm NOM
F	0.8mm NOM

Packaging Specifications

Packaging	T&R
Packaging Quantity	400

General Information

Series	MMK/F601
Dielectric	Metallized Polyester
Style	Radial
Features	DC Multipurpose Applications
RoHS	Yes
Lead	Wire Leads
AEC-Q200	No
Component Weight	2.857 g
Notes	Not For New Design, Please Check Possible Alternative Parts (AltPart).

Specifications

Capacitance	3.9 uF
Capacitance Tolerance	10%
Voltage AC	40 VAC
Voltage DC	63 VDC, 48.8 VDC (100C)
Temperature Range	-55/+100°C
Rated Temperature	85°C
Dissipation Factor	1% 1kHz
Insulation Resistance	1.282 GOhms
Max dV/dt	5 V/us
Inductance	6 nH

Statements of suitability for certain applications are based on our knowledge of typical operating conditions for such applications, but are not intended to constitute - and we specifically disclaim - any warranty concerning suitability for a specific customer application or use. This information is intended for use only by customers who have the requisite experience and capability to determine the correct products for their application. Any technical advice inferred from this information or otherwise provided by us with reference to the use of our products is given gratis, and we assume no obligation or liability for the advice given or results obtained.

单击下面可查看定价，库存，交付和生命周期等信息

[>>KEMET\(基美\)](#)