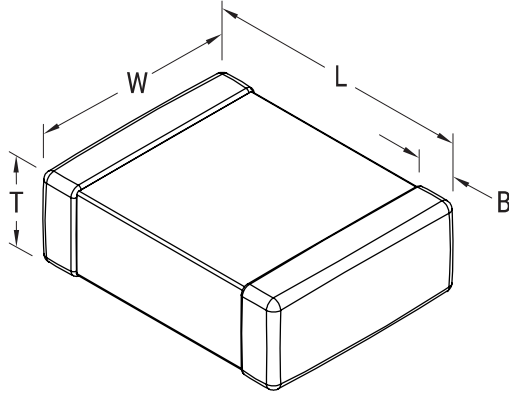


SMD Comm X7R Flex, Ceramic, 2.2 uF, 5%, 50 VDC, X7R, SMD, MLCC, FT-CAP, Temperature Stable, 1210



**Dimensions**

Dimensions	
Chip Size	1210
L	3.3mm +/-0.4mm
W	2.6mm +/-0.3mm
T	1.25mm +/-0.20mm
B	0.6mm +/-0.25mm

**Packaging Specifications**

Packaging:	Bulk, Bag
Packaging Quantity:	1

**General Information**

Series:	SMD Comm X7R Flex
Style:	SMD Chip
Description:	SMD, MLCC, FT-CAP, Temperature Stable
Features:	FT-CAP, Temperature Stable
RoHS:	Yes
Termination:	Flexible Termination
Marking:	No
AEC-Q200:	No
Component Weight:	65 mg
Shelf Life:	78 Weeks
MSL:	1

**Specifications**

Capacitance:	2.2 uF
Measurement Condition:	1 kHz 1.0Vrms
Capacitance Tolerance:	5%
Voltage DC:	50 VDC
Dielectric Withstanding Voltage:	125 VDC
Temperature Range:	-55/+125°C
Temperature Coefficient:	X7R
Capacitance Change with Reference to +25°C and 0 VDC Applied (TCC):	15%, 1kHz 1.0Vrms
Dissipation Factor:	2.5% 1 kHz 1.0Vrms
Aging Rate:	3% Loss/Decade Hour: Referee Time is 1000 Hours
Insulation Resistance:	227.3 MOhms

单击下面可查看定价，库存，交付和生命周期等信息

[>>KEMET\(基美\)](#)