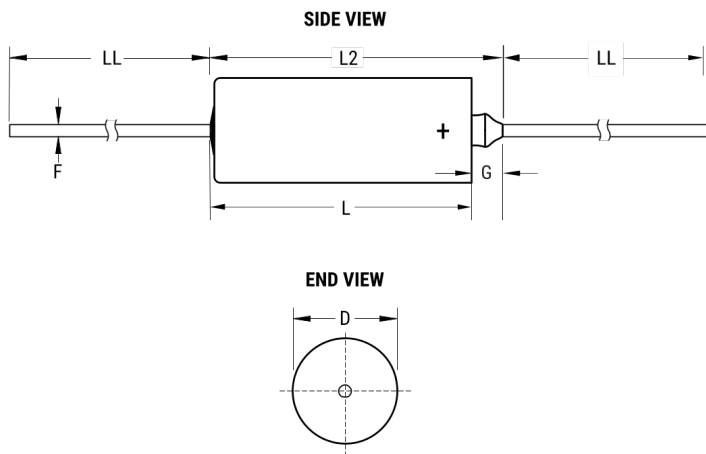


T210B125K050SS

T210, Tantalum, MnO2 Tantalum, HRA, 1.2 uF, 10%, 50 VDC, 1.2 Ohms



Click [here](#) for the 3D model.

Dimensions

D	4.7mm +/-0.25mm
L	12.04mm +/-0.79mm
L2	15.49mm MAX
LL	38.1mm +/-6.35mm
F	0.51mm +/-0.05mm
G	2.66mm +/-0.79mm

Packaging Specifications

Packaging	Bulk
Packaging Quantity	30

General Information

Series	T210
Dielectric	MnO2 Tantalum
Style	Axial Hermetic
Description	Axial, Solid Tantalum, Hermetically Sealed, Military, High Reliability
Features	High Reliability, Low Leakage, Low DF
RoHS	No
Prop 65	⚠ WARNING: Cancer and reproductive harm - http://www.p65warnings.ca.gov .
SCIP Number	bee1eed4-5fec-4214-9f43-620c5b22071f
Termination	Lead (SnPb)
Lead	Wire Leads
Qualifications	GR500
AEC-Q200	No
Construction	Hermetic
Notes	Dimensions Include Insulating Sleeve. When supplied on T&R or AMMO, lead length is determined by taping specification.

Specifications

Capacitance	1.2 uF
Capacitance Tolerance	10%
Voltage DC	50 VDC (85C), 0.5 VDC (125C Reverse)
Temperature Range	-55/+125°C
Humidity	40C, 60% RH
Dissipation Factor	2% (120Hz 25C)
Failure Rate	S (0.001%/1000 Hrs)
Resistance	1.2 Ohms (100kHz)
Leakage Current	0.2 uA
Testing and Reliability	Tested To KEMET's GR500 High Reliability Standards

Statements of suitability for certain applications are based on our knowledge of typical operating conditions for such applications, but are not intended to constitute - and we specifically disclaim - any warranty concerning suitability for a specific customer application or use. This information is intended for use only by customers who have the requisite experience and capability to determine the correct products for their application. Any technical advice inferred from this information or otherwise provided by us with reference to the use of our products is given gratis, and we assume no obligation or liability for the advice given or results obtained.

单击下面可查看定价，库存，交付和生命周期等信息

[>>KEMET\(基美\)](#)