

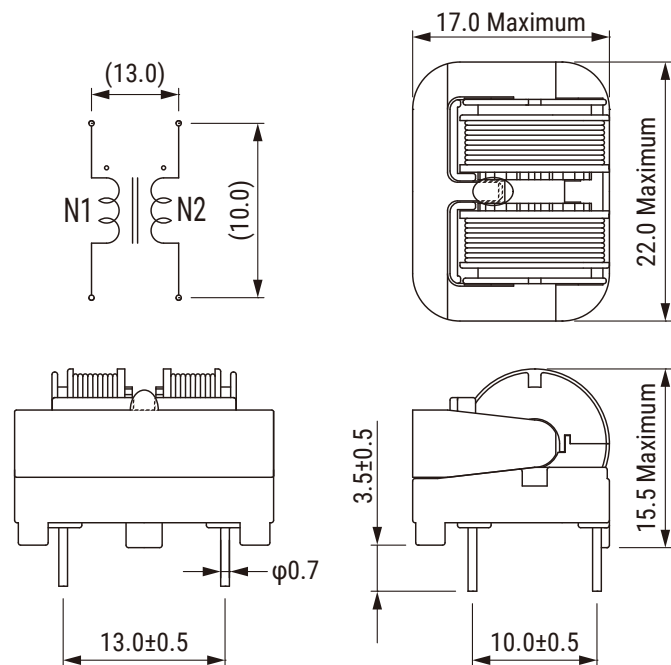
Common Mode & Dual Mode Chokes Coils, 2.2 – 5.0 A High Current Kit

Sample Kit Contents

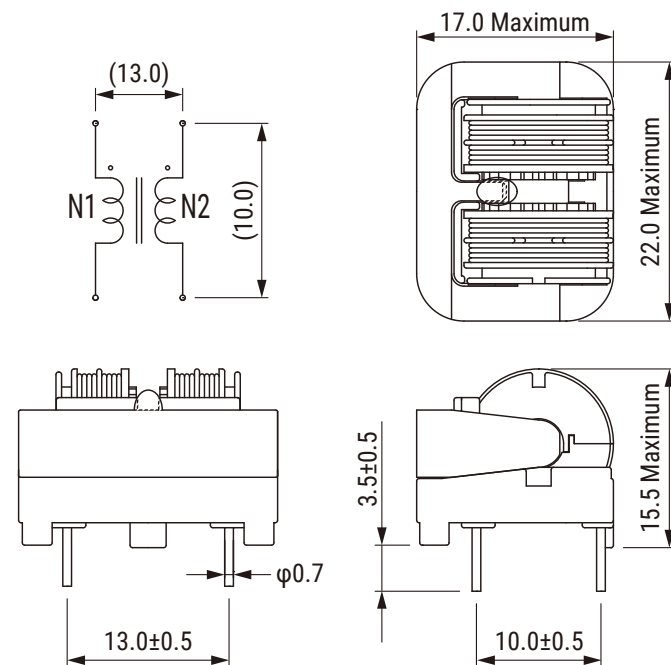
KEMET Part Number	Rated Voltage (VAC)	Rated Current (A)	Inductance (mH) at 10 kHz Minimum	DC Resistance/Line (Ω) Maximum	Temperature Range	Quantity	Description
SSHB10HS-22011	250	2.20	1.10	0.110	-25/+130°C	1	SSHB10HS, Dual Mode
SSHB10H-22014	250	2.20	1.40	0.120	-25/+130°C	1	SSHB10H, Dual Mode
SSR10VS-22026	250	2.20	2.60	0.100	-25/+120°C	1	SSR10VS/HS, Common Mode
SSHB10HS-R22027	250	2.20	2.70	0.110	-25/+120°C	1	SSHB10HS, Dual Mode
SSHB10H-R22034	250	2.20	3.40	0.120	-25/+120°C	1	SSHB10H, Dual Mode
SSR10V-22034	250	2.20	3.40	0.110	-25/+120°C	1	SSR10V/H, Common Mode
SSR21NVS-M25064	250	2.50	6.40	0.090	-25/+120°C	1	SSR21NVS-M/NHS-M, Common Mode
SSR21NV-M25103	250	2.50	10.30	0.120	-25/+120°C	1	SSR21NV-M/NH-M, Common Mode
SSRH24NVS-25130	250	2.50	13.00	0.111	-25/+120°C	1	SSRH24NVS/NHS, Common Mode
SSRH24NV-25205	250	2.50	20.50	0.145	-25/+120°C	1	SSRH24NV/NH, Common Mode
SSHB10HS-30006	250	3.00	0.60	0.060	-25/+130°C	1	SSHB10HS, Dual Mode
SSHB10H-30007	250	3.00	0.70	0.070	-25/+130°C	1	SSHB10H, Dual Mode
SSR10VS-30013	250	3.00	1.30	0.060	-25/+120°C	1	SSR10VS/HS, Common Mode
SSHB10HS-R30015	250	3.00	1.50	0.060	-25/+120°C	1	SSHB10HS, Dual Mode
SSR10V-30016	250	3.00	1.60	0.060	-25/+120°C	1	SSR10V/H, Common Mode
SSHB10H-R30017	250	3.00	1.70	0.070	-25/+120°C	1	SSHB10H, Dual Mode
SSR21NVS-M30041	250	3.00	4.10	0.070	-25/+120°C	1	SSR21NVS-M/NHS-M, Common Mode
SSR21NV-M30064	250	3.00	6.40	0.080	-25/+120°C	1	SSR21NV-M/NH-M, Common Mode
SSRH24NVS-30092	250	3.00	9.20	0.079	-25/+120°C	1	SSRH24NVS/NHS, Common Mode
SSRH24NV-30145	250	3.00	14.50	0.102	-25/+120°C	1	SSRH24NV/NH, Common Mode
SSRH24NVS-35080	250	3.50	8.00	0.074	-25/+120°C	1	SSRH24NVS/NHS, Common Mode
SSRH24NV-35086	250	3.50	8.60	0.078	-25/+120°C	1	SSRH24NV/NH, Common Mode
SSRH24NVS-40059	250	4.00	5.90	0.055	-25/+120°C	1	SSRH24NVS/NHS, Common Mode
SSRH24NV-40069	250	4.00	6.90	0.057	-25/+120°C	1	SSRH24NV/NH, Common Mode
SSRH24NVS-45041	250	4.50	4.10	0.041	-25/+120°C	1	SSRH24NVS/NHS, Common Mode
SSRH24NV-45059	250	4.50	5.90	0.048	-25/+120°C	1	SSRH24NV/NH, Common Mode
SSRH24NVS-50026	250	5.00	2.60	0.027	-25/+120°C	1	SSRH24NVS/NHS, Common Mode
SSRH24NV-50041	250	5.00	4.10	0.035	-25/+120°C	1	SSRH24NV/NH, Common Mode
KEMET Part Number	Rated Voltage (VAC)	Rated Current (A)	Inductance (mH) at 10 kHz Minimum	DC Resistance/Line (Ω) Maximum	Temperature Range	Quantity	Description

Dimensions – Millimeters (Inches)

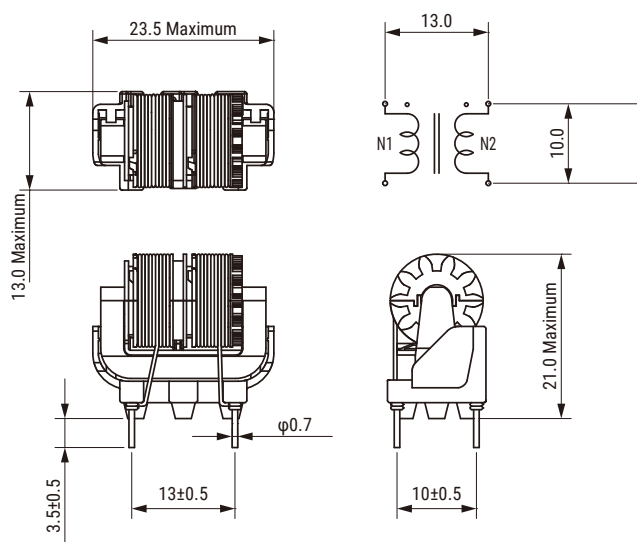
SSHB10H



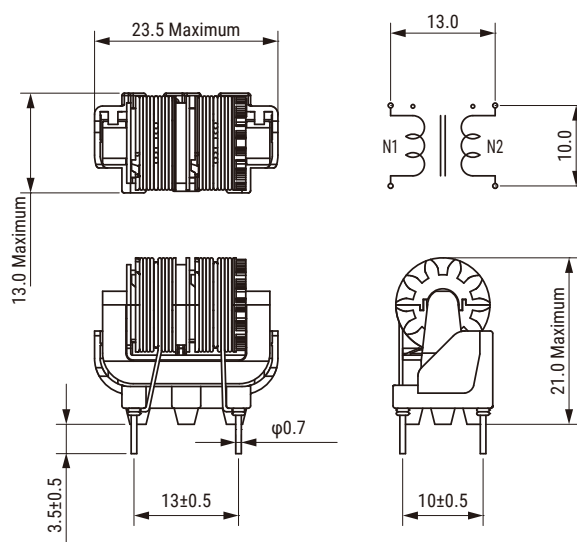
SSHB10HS



SSR10V

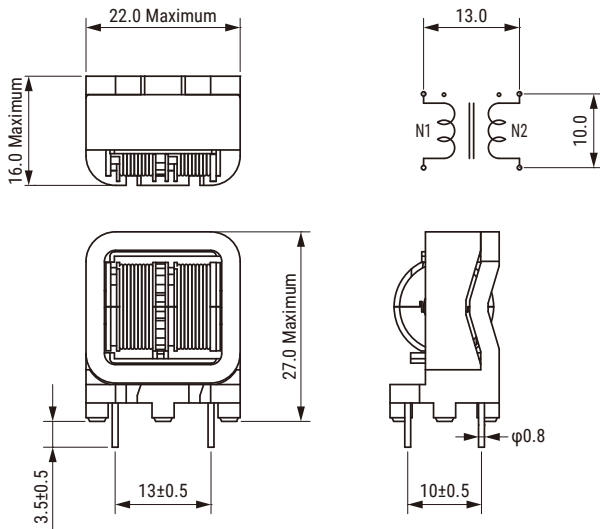


SSR10VS

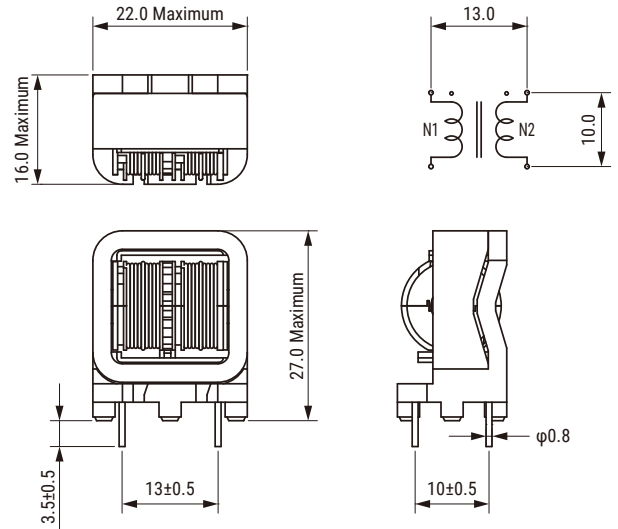


Dimensions – Millimeters (Inches) cont.

SSR21NV-M

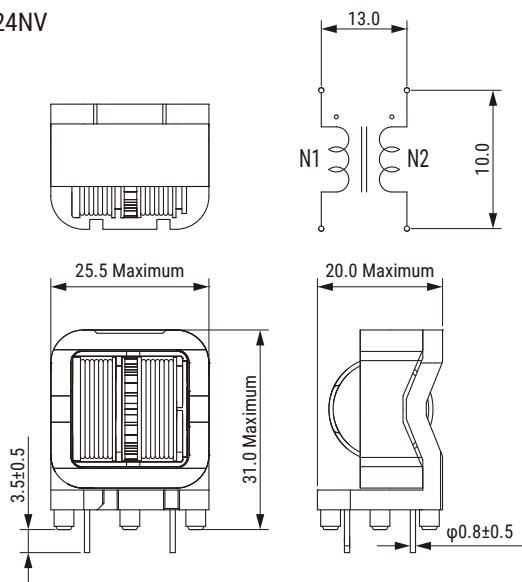


SSR21NVS-M

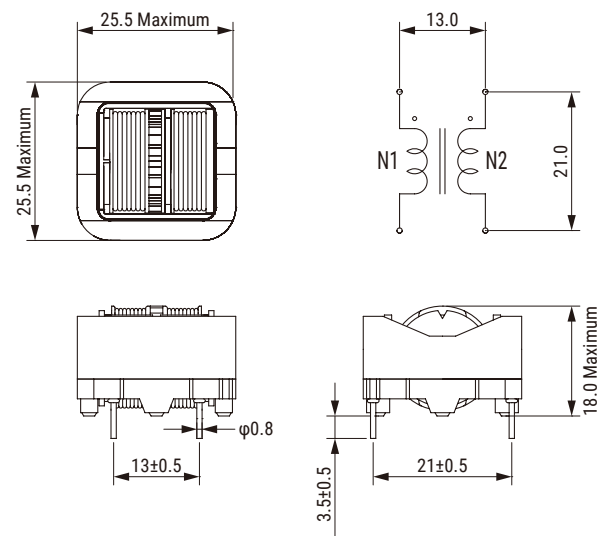


SSRH24NV/NH

● SSRH24NV



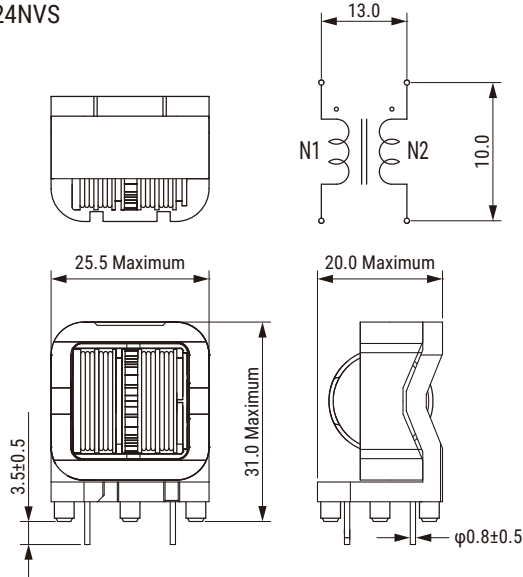
● SSRH24NH



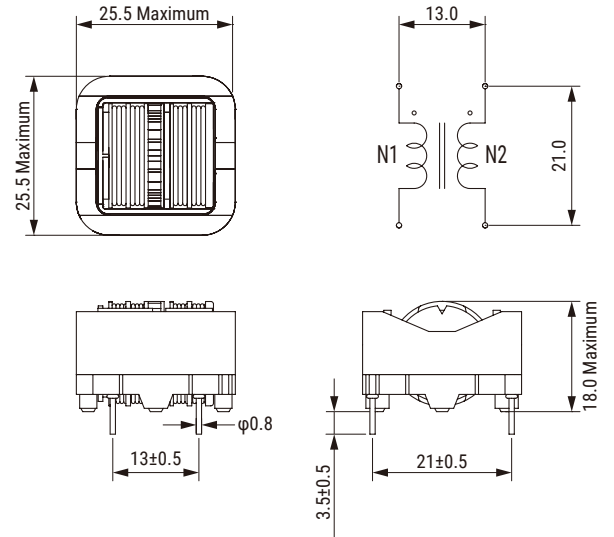
Dimensions – Millimeters (Inches) cont.

SSRH24NVS/NHS

● SSRH24NVS



● SSRH24NHS



单击下面可查看定价，库存，交付和生命周期等信息

[>>KEMET\(基美\)](#)