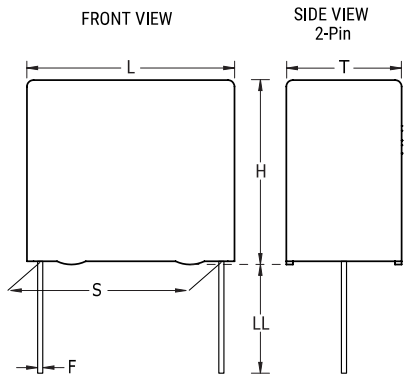


C4AT, Film, Metallized Polypropylene, Power, 3.3 uF, 10%, 350 VAC, 600 VDC, 70°C, Lead Spacing = 27.5mm



**Dimensions**

<b>L</b>	32mm -0.7mm
<b>H</b>	37mm -0.7mm
<b>T</b>	22mm -0.7mm
<b>S</b>	27.5mm +/-0.4mm
<b>LL</b>	6mm -2mm
<b>F</b>	1.2mm NOM

**Packaging Specifications**

<b>Packaging:</b>	Bulk, Bag
<b>Packaging Quantity:</b>	64

**General Information**

<b>Series:</b>	C4AT
<b>Dielectric:</b>	Metallized Polypropylene
<b>Style:</b>	Radial
<b>Features:</b>	Switching
<b>RoHS:</b>	Yes
<b>Lead:</b>	Wire Leads
<b>AEC-Q200:</b>	No

**Specifications**

<b>Capacitance:</b>	3.3 uF
<b>Capacitance Tolerance:</b>	10%
<b>Voltage AC:</b>	350 VAC
<b>Voltage DC:</b>	600 VDC
<b>Temperature Range:</b>	-40/+85°C
<b>Rated Temperature:</b>	70°C
<b>Dissipation Factor:</b>	0.05%
<b>Max dV/dt:</b>	104 V/us
<b>Resistance:</b>	3.5 mOhms (100kHz)
<b>Ripple Current:</b>	14 Amps (100kHz 70C), 342 Amps (Peak)

单击下面可查看定价，库存，交付和生命周期等信息

[>>KEMET\(基美\)](#)