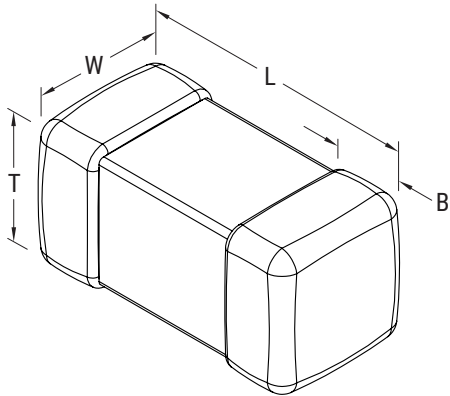


Sample Kit Contents

KEMET Part Number	Case Size	Capacitance	Cap Tolerance	Rated Voltage	Dielectric	Quantity
	EIA/Metric	(pF)	%	(V)		
CBR04C108BAGAC	0402 / 1005	0.1	±0.1 pF	250	COG	100
CBR04C208BAGAC	0402 / 1005	0.2	±0.1 pF	250	COG	100
CBR04C308BAGAC	0402 / 1005	0.3	±0.1 pF	250	COG	100
CBR04C408BAGAC	0402 / 1005	0.4	±0.1 pF	250	COG	100
CBR04C508BAGAC	0402 / 1005	0.5	±0.1 pF	250	COG	100
CBR04C608BAGAC	0402 / 1005	0.6	±0.1 pF	250	COG	100
CBR04C708BAGAC	0402 / 1005	0.7	±0.1 pF	250	COG	100
CBR04C808BAGAC	0402 / 1005	0.8	±0.1 pF	250	COG	100
CBR04C908BAGAC	0402 / 1005	0.9	±0.1 pF	250	COG	100
CBR04C109BAGAC	0402 / 1005	1.0	±0.1 pF	250	COG	100
CBR04C129BAGAC	0402 / 1005	1.2	±0.1 pF	250	COG	100
CBR04C159BAGAC	0402 / 1005	1.5	±0.1 pF	250	COG	100
CBR04C189BAGAC	0402 / 1005	1.8	±0.1 pF	250	COG	100
CBR04C209BAGAC	0402 / 1005	2.0	±0.1 pF	250	COG	100
CBR04C229BAGAC	0402 / 1005	2.2	±0.1 pF	250	COG	100
CBR04C279BAGAC	0402 / 1005	2.7	±0.1 pF	250	COG	100
CBR04C309BAGAC	0402 / 1005	3.0	±0.1 pF	250	COG	100
CBR04C339BAGAC	0402 / 1005	3.3	±0.1 pF	250	COG	100
CBR04C399BAGAC	0402 / 1005	3.9	±0.1 pF	250	COG	100
CBR04C409BAGAC	0402 / 1005	4.0	±0.1 pF	250	COG	100
CBR04C479BAGAC	0402 / 1005	4.7	±0.1 pF	250	COG	100
CBR04C509CAGAC	0402 / 1005	5.0	±0.25 pF	250	COG	100
CBR04C569CAGAC	0402 / 1005	5.6	±0.25 pF	250	COG	100
CBR04C609CAGAC	0402 / 1005	6.0	±0.25 pF	250	COG	100
CBR04C689CAGAC	0402 / 1005	6.8	±0.25 pF	250	COG	100
CBR04C709CAGAC	0402 / 1005	7.0	±0.25 pF	250	COG	100
CBR04C759CAGAC	0402 / 1005	7.5	±0.25 pF	250	COG	100
CBR04C809CAGAC	0402 / 1005	8.0	±0.25 pF	250	COG	100
CBR04C829CAGAC	0402 / 1005	8.2	±0.25 pF	250	COG	100
CBR04C909CAGAC	0402 / 1005	9.0	±0.25 pF	250	COG	100
CBR04C100JAGAC	0402 / 1005	10.0	5%	250	COG	100
CBR04C120JAGAC	0402 / 1005	12.0	5%	250	COG	100
CBR04C150JAGAC	0402 / 1005	15.0	5%	250	COG	100
CBR04C180JAGAC	0402 / 1005	18.0	5%	250	COG	100
CBR04C220JAGAC	0402 / 1005	22.0	5%	250	COG	100
CBR04C270JAGAC	0402 / 1005	27.0	5%	250	COG	100
CBR04C330JAGAC	0402 / 1005	33.0	5%	250	COG	100
CBR04C390JAGAC	0402 / 1005	39.0	5%	250	COG	100
CBR04C470JAGAC	0402 / 1005	47.0	5%	250	COG	100
CBR04C560JAGAC	0402 / 1005	56.0	5%	250	COG	100
CBR04C680JAGAC	0402 / 1005	68.0	5%	250	COG	100
CBR04C820JAGAC	0402 / 1005	82.0	5%	250	COG	100
CBR04C101JAGAC	0402 / 1005	100.0	5%	250	COG	100
KEMET Part Number	Case Size	Capacitance	Cap Tolerance	Rated Voltage	Dielectric	Quantity

Dimensions – Millimeters (Inches)



Case Size (in.)	Case Size (mm)	L Length	W Width	T Thickness	B Bandwidth	Mounting Technique
0402	1005	1.00 ±0.05 (0.040 ±0.002)	0.50 ±0.05 (0.020 ±0.002)	0.50 ±0.05 (0.020 ±0.002)	0.25 +0.05/-0.10 (0.010 +0.002/-0.004)	Solder Reflow Only

单击下面可查看定价，库存，交付和生命周期等信息

[>>KEMET\(基美\)](#)