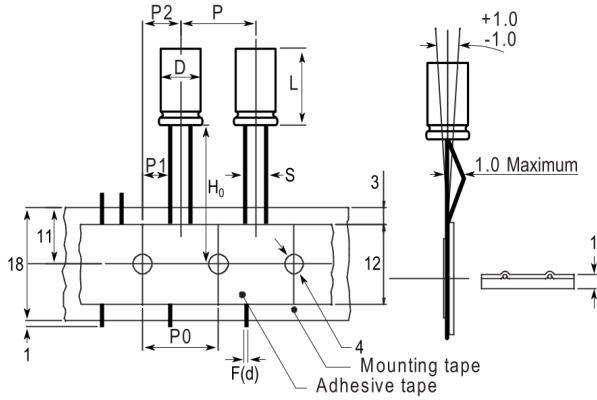


Straight Leads Diameter > 8
Lead and packaging code EA and KA



Note: '()' correspond to the letters used in the product bulletin

Click [here](#) for the 3D model.

Dimensions

D	10mm +/-0.5mm
L	12mm +1.5mm
S	5mm +/-0.5mm
LL Negative	15mm MIN
LL Positive	20mm MIN
F	0.6mm NOM

Packaging Specifications

Packaging	Ammo
Packaging Quantity	700

General Information

Series	ESH
Dielectric	Aluminum Electrolytic
Description	High CV Single Ended Aluminum Electrolytic
Features	High CV
RoHS	Yes
Lead	Wire Leads
AEC-Q200	No

Specifications

Capacitance	470 uF
Capacitance Tolerance	20%
Voltage DC	25 VDC, 32 VDC (Surge)
Temperature Range	-40/+105°C
Rated Temperature	105°C
Life	2000 Hrs
Dissipation Factor	16% 120Hz 25C
Ripple Current	405 mAmps (120Hz 105C)
Leakage Current	117.5 uA (2min 20°C)
Impedance Ratio at -25C	2
Impedance Ratio at -40C	3

单击下面可查看定价，库存，交付和生命周期等信息

[>>KEMET\(基美\)](#)