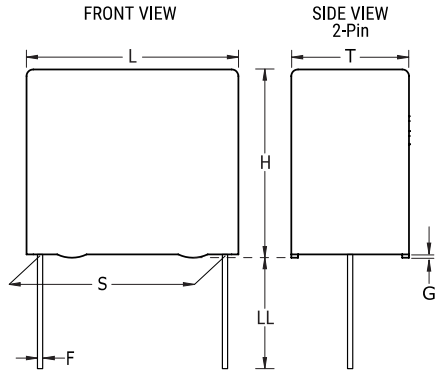


F861, Film, Metallized Polypropylene, Safety, 2.2 uF, 20%, 310 VAC (X2), 630 VDC, 110°C, Lead Spacing = 27.5mm



| Dimensions |                 |
|------------|-----------------|
| L          | 31.5mm -0.7mm   |
| H          | 12.5mm -0.7mm   |
| T          | 21mm -0.7mm     |
| S          | 27.5mm +/-0.4mm |
| LL         | 17mm -1mm       |
| F          | 0.8mm +/-0.05mm |
| G          | 0.5mm NOM       |

| Packaging Specifications |            |
|--------------------------|------------|
| Packaging:               | Pizza, Box |
| Packaging Quantity:      | 150        |

| General Information |                          |
|---------------------|--------------------------|
| Series:             | F861                     |
| Dielectric:         | Metallized Polypropylene |
| Style:              | Radial                   |
| Features:           | MKP EMI Safety           |
| RoHS:               | Yes                      |
| Lead:               | Wire Leads               |
| Safety Class:       | X2                       |
| Qualifications:     | ENEC, UL, cUL, CQC       |
| AEC-Q200:           | No                       |
| THB Performance:    | No                       |
| Miscellaneous:      | ClimCat: 40/110/56/B.    |
| Shelf Life:         | 104 Weeks                |

| Specifications         |              |
|------------------------|--------------|
| Capacitance:           | 2.2 uF       |
| Capacitance Tolerance: | 20%          |
| Voltage AC:            | 310 VAC (X2) |
| Voltage DC:            | 630 VDC      |
| Temperature Range:     | -40/+110°C   |
| Rated Temperature:     | 110°C        |
| Dissipation Factor:    | 0.2% 1KHz    |
| Insulation Resistance: | 4.545 GOhms  |
| Max dV/dt:             | 150 V/us     |

Statements of suitability for certain applications are based on our knowledge of typical operating conditions for such applications, but are not intended to constitute - and we specifically disclaim - any warranty concerning suitability for a specific customer application or use. This Information is intended for use only by customers who have the requisite experience and capability to determine the correct products for their application. Any technical advice inferred from this Information or otherwise provided by us with reference to the use of our products is given gratis, and we assume no obligation or liability for the advice given or results obtained.

单击下面可查看定价，库存，交付和生命周期等信息

[>>KEMET\(基美\)](#)