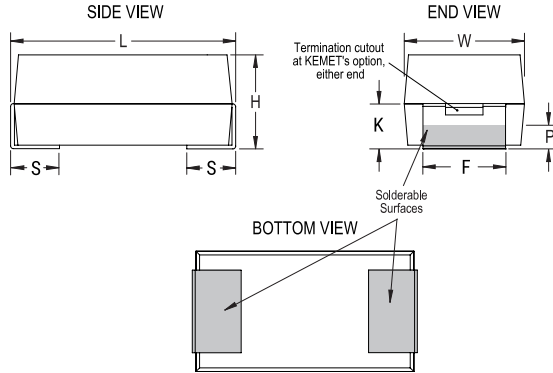


**KEMET Part Number: CWR29HC686KDGC**  
(T429G686K015DC4252)



T429 CWR29, Tantalum, MnO2 Tantalum, Military/High Reliability, 68 uF, 10%, 15 VDC, SMD, MnO2, Molded, Military Equivalent, Low ESR, D (0.001%/1000 Hrs), 275 mOhms, 6728, Height Max = 3.17mm



| Dimensions |                      |
|------------|----------------------|
| Footprint  | 6728                 |
| L          | 6.73mm +/-0.38mm     |
| W          | 2.79mm +/-0.38mm     |
| H          | 2.79mm +/-0.38mm     |
| S          | 1.27mm +0.25/-0.13mm |
| F          | 2.67mm +/-0.13mm     |
| K          | 1.52mm MIN           |
| P          | 0.76mm MIN           |

| Packaging Specifications |            |
|--------------------------|------------|
| Packaging:               | T&R, 178mm |
| Packaging Quantity:      | 500        |

| General Information |  |
|---------------------|--|
| Series:             | T429 CWR29   |
| Dielectric:         | MnO2 Tantalum  |
| Style:              | SMD Chip   |
| Description:        | SMD, MnO2, Molded, Military Equivalent, Low ESR  |
| RoHS:               | No   |
| Prop 65:            | <b>WARNING:</b> Cancer and reproductive harm - <a href="http://www.p65warnings.ca.gov">www.p65warnings.ca.gov</a> .                |
| SCIP Number:        | 652b281f-d242-4453-bc44-0655d646cec3   |
| Termination:        | Hot Solder Dipped  |
| Qualifications:     | MIL-PRF-55365/11, CWR29 Style  |
| AEC-Q200:           | No   |
| Component Weight:   | 266.42 mg  |
| Notes:              | Note: When Option C Is Selected For Lead Material, Add An Additional 0.38mm To The Tolerances For "L", "W", "H", "K", "F" And "S". |
| MSL:                | 1  |

| Specifications           |   |
|--------------------------|---|
| Capacitance:             | 68 uF   |
| Capacitance Tolerance:   | 10%   |
| Voltage DC:              | 15 VDC (85C), 10 VDC (125C)                   |
| Temperature Range:       | -55/+125°C                                    |
| Rated Temperature:       | 85°C  |
| Dissipation Factor:      | 8% 120Hz 25C                                  |
| Failure Rate:            | D (0.001%/1000 Hrs)                           |
| Resistance:              | 0.275 Ohms (100kHz 25C)                       |
| Leakage Current:         | 10 uA (5min 25°C)                             |
| Testing and Reliability: | Surge Testing At -55C And +85C Before Weibull |

Statements of suitability for certain applications are based on our knowledge of typical operating conditions for such applications, but are not intended to constitute - and we specifically disclaim - any warranty concerning suitability for a specific customer application or use. This Information is intended for use only by customers who have the requisite experience and capability to determine the correct products for their application. Any technical advice inferred from this Information or otherwise provided by us with reference to the use of our products is given gratis, and we assume no obligation or liability for the advice given or results obtained.



单击下面可查看定价，库存，交付和生命周期等信息

[>>KEMET\(基美\)](#)