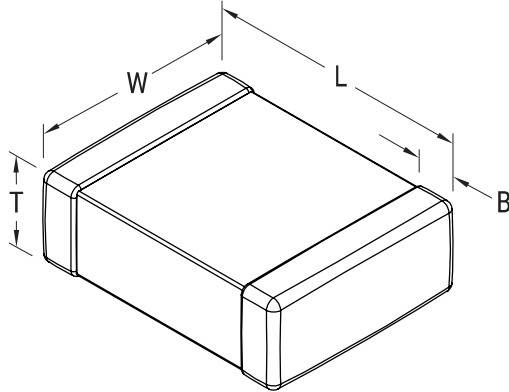


SMD Mil-Equiv X7R HV 49467, Ceramic, 0.33 uF, 10%, 1000 VDC, X7R, Surface Mount Ceramic Capacitor, 4040



| General Information | |
|---------------------|---|
| Series: | SMD Mil-Equiv X7R HV 49467 |
| Style: | SMD Chip |
| Description: | Surface Mount Ceramic Capacitor |
| RoHS: | No |
| Prop 65: | WARNING: Cancer and reproductive harm - www.p65warnings.ca.gov . |
| Termination: | Silver Nickel Tin Lead (SnPb) |
| AEC-Q200: | No |

| Dimensions | |
|------------|--------------------|
| Chip Size | 4040 |
| L | 10.2mm +/-0.76mm |
| W | 10.2mm +/-0.76mm |
| T | 5.59mm NOM |
| B | 1.143mm +/-1.524mm |

| Specifications | |
|---|---------------------|
| Capacitance: | 0.33 uF |
| Capacitance Tolerance: | 10% |
| Voltage DC: | 1000 VDC |
| Dielectric Withstanding Voltage: | 1200 VDC |
| Temperature Range: | -55/+125°C |
| Temperature Coefficient: | X7R |
| Capacitance Change with Reference to +25°C and 0 VDC Applied (TCC): | 30 ppm/C |
| Dissipation Factor: | 2.5% |
| Aging Rate: | 2% Loss/Decade Hour |
| Insulation Resistance: | 3.03 GOhms |

| Packaging Specifications | |
|--------------------------|----|
| Packaging Quantity: | 50 |

Statements of suitability for certain applications are based on our knowledge of typical operating conditions for such applications, but are not intended to constitute - and we specifically disclaim - any warranty concerning suitability for a specific customer application or use. This Information is intended for use only by customers who have the requisite experience and capability to determine the correct products for their application. Any technical advice inferred from this Information or otherwise provided by us with reference to the use of our products is given gratis, and we assume no obligation or liability for the advice given or results obtained.

单击下面可查看定价，库存，交付和生命周期等信息

[>>KEMET\(基美\)](#)