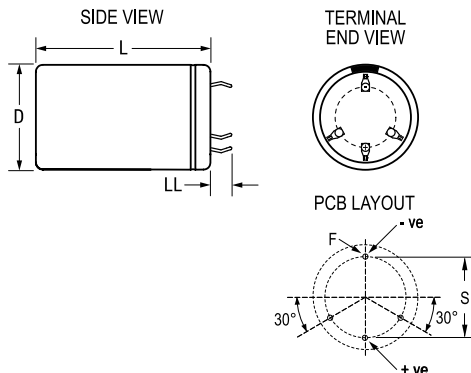


KEMET Part Number: ALC80E681EF400
(A547HH681M400E)



a YAGEO company

ALC80, Aluminum Electrolytic, 680 uF, 20%, 400 VDC, -40/+105°C



General Information	
Series:	ALC80
Dielectric:	Aluminum Electrolytic
Description:	Snap-In, Aluminum Electrolytic
RoHS:	Yes
Lead:	4 Pin Short
AEC-Q200:	No
Halogen Free:	Yes
Component Weight:	105 g
Notes:	Dimensions D And L Include Sleaving.
Shelf Life:	156 Weeks

Dimensions	
D	40mm +1mm
L	50mm +/-2mm
S	22.5mm +/-0.1mm
LL	4mm +/-1mm
F	2mm +/-0.1mm

Packaging Specifications	
Sleaving:	Yes
Packaging:	Bulk, Bag

Specifications	
Capacitance:	680 uF
Capacitance Tolerance:	20%
Voltage DC:	400 VDC, 440 VDC (Surge)
Temperature Range:	-40/+105°C
Rated Temperature:	105°C
Life:	9000 Hrs (Rated Voltage And Ripple Current At 105C), 14000 Hrs (Rated Voltage at 105C)
Resistance:	187.3 mOhms (100Hz 20C), 97.93 mOhms (10kHz 20C)
Ripple Current:	3.356 Amps (100Hz 105C), 8.215 Amps (10kHz 105C)
Leakage Current:	816 uA (5min 20°C)

Statements of suitability for certain applications are based on our knowledge of typical operating conditions for such applications, but are not intended to constitute - and we specifically disclaim - any warranty concerning suitability for a specific customer application or use. This Information is intended for use only by customers who have the requisite experience and capability to determine the correct products for their application. Any technical advice inferred from this Information or otherwise provided by us with reference to the use of our products is given gratis, and we assume no obligation or liability for the advice given or results obtained.



a YAGEO company

单击下面可查看定价，库存，交付和生命周期等信息

[>>KEMET\(基美\)](#)