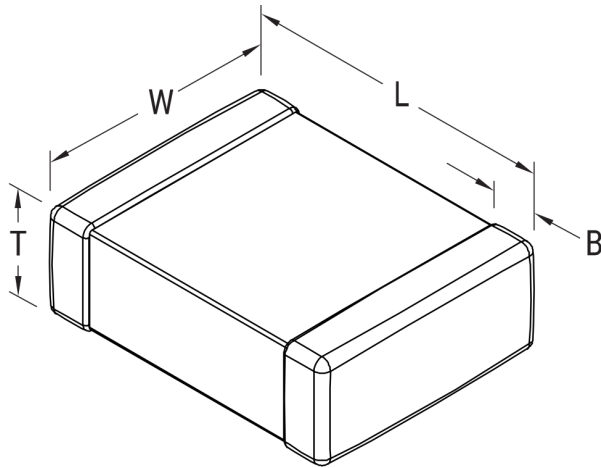


## CDR31BP391BKZS7246

Aliases (C0805N391K1GSL7246, C0805N391K1GSL7246, CDR31BP391BKZS-AntiStatic)

SMD Mil PRF55681, Ceramic, 390 pF, 10%, 100 VDC, BP, S (0.001%/1000 Hrs), 0805



Click [here](#) for the 3D model.

### Dimensions

|           |  |
|-----------|--|
| Chip Size | 0805                                   |
| L         | 2mm +/-0.2mm (0.079 in +/-0.008 in)    |
| W         | 1.25mm +/-0.2mm (0.049 in +/-0.008 in) |
| T         | 1.3mm (0.051 in)                       |
| B         | 0.5mm +/-0.2mm (0.02 in +/-0.008 in)   |

### Packaging Specifications

|                    |                       |
|--------------------|-----------------------|
| Packaging          | Bulk, Anti-Static Bag |
| Packaging Quantity | 1                     |

### General Information

|                         |  |
|-------------------------|--|
| Series                  | SMD Mil PRF55681   |
| Style                   | SMD Chip   |
| RoHS                    | No   |
| Prop 65                 | <b>⚠ WARNING:</b> Cancer and reproductive harm - <a href="http://www.p65warnings.ca.gov">http://www.p65warnings.ca.gov</a> . |
| Termination             | Lead (SnPb)  |
| Failure Rate            | S (0.001%/1000 Hrs)  |
| Testing and Reliability | MIL-PRF-55681  |
| Qualifications          | MIL-PRF-55681  |
| AEC-Q200                | No   |
| Miscellaneous           | Termination Description: SolderPlate 70-30.  |
| Shelf Life              | 78 Weeks   |
| MSL                     | 1  |

### Specifications

|                         |            |
|-------------------------|------------|
| Capacitance             | 390 pF     |
| Capacitance Tolerance   | 10%        |
| Voltage DC              | 100 VDC    |
| Temperature Range       | -55/+125°C |
| Temperature Coefficient | BP         |

Statements of suitability for certain applications are based on our knowledge of typical operating conditions for such applications, but are not intended to constitute - and we specifically disclaim - any warranty concerning suitability for a specific customer application or use. This information is intended for use only by customers who have the requisite experience and capability to determine the correct products for their application. Any technical advice inferred from this information or otherwise provided by us with reference to the use of our products is given gratis, and we assume no obligation or liability for the advice given or results obtained.

单击下面可查看定价，库存，交付和生命周期等信息

[>>KEMET\(基美\)](#)