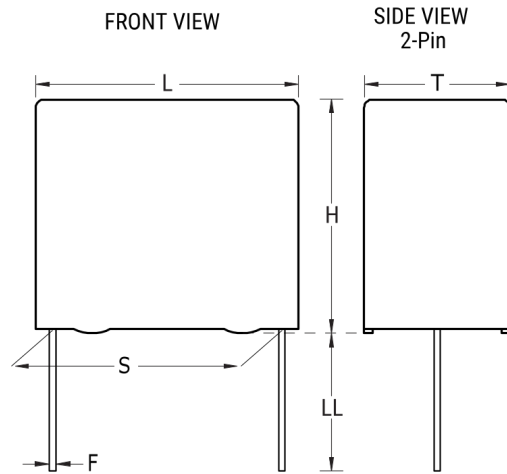


PHE820MF7100MR06L2

Aliases (F720FR105M275C)

PHE820M/F720, Film, Metallized Polyester, Safety, 1 uF, 20%, 275 VAC (X2), 760 VDC, 100°C, Lead Spacing = 27.5mm



Click [here](#) for the 3D model.

Dimensions

L	31.5mm MAX
H	28mm MAX
T	17.5mm MAX
S	27.5mm +/-0.4mm
LL	6mm -1mm
F	0.8mm NOM
G	0.5mm NOM

Packaging Specifications

Packaging	Bulk, Bag
Packaging Quantity	126

General Information

Series	PHE820M/F720
Dielectric	Metallized Polyester
Style	Radial
Features	EMI Safety
RoHS	Yes
Lead	Wire Leads
Safety Class	X2
Qualifications	ENEC, UL, cUL
AEC-Q200	No
THB Performance	No
Component Weight	15.3 g
Miscellaneous	SRF= 1.3 MHz.
Notes	Not For New Design, Please Check Possible Alternative Parts (AltPart).

Specifications

Capacitance	1 uF
Capacitance Tolerance	20%
Voltage AC	275 VAC (X2)
Voltage DC	760 VDC
Temperature Range	-40/+100°C
Rated Temperature	100°C
Dissipation Factor	1% 1kHz
Insulation Resistance	10 GOhms
Max dV/dt	100 V/us

Statements of suitability for certain applications are based on our knowledge of typical operating conditions for such applications, but are not intended to constitute - and we specifically disclaim - any warranty concerning suitability for a specific customer application or use. This information is intended for use only by customers who have the requisite experience and capability to determine the correct products for their application. Any technical advice inferred from this information or otherwise provided by us with reference to the use of our products is given gratis, and we assume no obligation or liability for the advice given or results obtained.

单击下面可查看定价，库存，交付和生命周期等信息

[>>KEMET\(基美\)](#)

[>>点击查看相关商品](#)