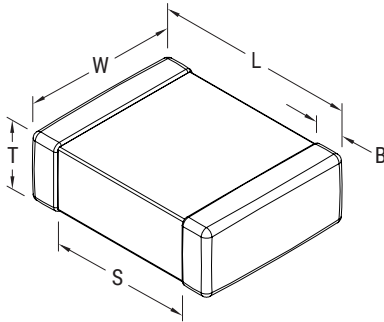


Sample Kit Contents

KEMET Part Number	Case Size	Capacitance	Cap Tolerance	Rated Voltage	T Thickness	Dielectric	Quantity
	EIA/Metric		%	VDC	mm		
C0805X101KDRACTU	0805/2012	100 pF	±10	1000	1.25 ±0.15	X7R	50
C0805C272KDRACTU	0805/2012	272 pF	±10	1000	1.25 ±0.15	X7R	50
C0805C102KDRACTU	0805/2012	1000 pF	±10	1000	1.25 ±0.15	X7R	50
C0805X472KDRACTU	0805/2012	4700 pF	±10	1000	1.25 ±0.15	X7R	50
C0805X822KBRACTU	0805/2012	8200 pF	±10	630	1.25 ±0.15	X7R	50
C0805X123KCRACTU	0805/2012	12000 pF	±10	500	1.25 ±0.15	X7R	50
C1206C102KGRACTU	1206/3216	1000 pF	±10	2000	1.60 ±0.15	X7R	50
C1206C472KDRACTU	1206/3216	4700 pF	±10	1000	1.20 ±0.15	X7R	50
C1206C682KFRACTU	1206/3216	6800 pF	±10	1500	1.20 ±0.15	X7R	50
C1206X103KFRACTU	1206/3216	10000 pF	±10	1500	1.60 ±0.15	X7R	50
C1206C333KBRACTU	1206/3216	33000 pF	±10	630	1.70 ±0.20	X7R	50
C1206X683KCRACTU	1206/3216	68000 pF	±10	500	1.70 ±0.20	X7R	50
C1210C682KGRACTU	1210/3225	6800 pF	±10	2000	2.50 ±0.30	X7R	50
C1210X393KFRACTU	1210/3225	39000 pF	±10	1500	2.50 ±0.30	X7R	50
C1808C102KHRACTU	1808/4520	1000 pF	±10	3000	2.00 ±0.15	X7R	50
C1808X472KGRACTU	1808/4520	4700 pF	±10	2000	2.00 ±0.15	X7R	50
C1812C103KGRACTU	1812/4532	10000 pF	±10	2000	2.50 ±0.20	X7R	25
C1812X334KCRACTU	1812/4532	0.33 µF	±10	500	2.10 ±0.20	X7R	25
C1825X153KGRACTU	1825/4564	15000 pF	±10	2000	2.50 ±0.20	X7R	25
C1825C104KDRACTU	1825/4564	0.10 µF	±10	1000	2.50 ±0.20	X7R	25
C2220C103KHRACTU	2220/5650	10000 pF	±10	3000	2.00 ±0.20	X7R	25
C2220X104KDRACTU	2220/5650	0.10 µF	±10	1000	2.50 ±0.20	X7R	25
C2225C273KGRACTU	2225/5664	27000 pF	±10	2000	2.50 ±0.20	X7R	25
C2225X154KDRACTU	2225/5664	0.15 µF	±10	1000	2.50 ±0.20	X7R	25

Dimensions – Millimeters (Inches)



Case Size (in.)	Case Size (mm)	L Length	W Width	T Thickness	B Bandwidth	S Separation Minimum	Mounting Technique
0805	2012	2.00 (0.079) ±0.20 (0.008)	1.25 (0.049) ±0.20 (0.008)	See Table Above	0.50 (0.02) ±0.25 (0.010)	0.75 (0.030)	Solder Wave or Solder Reflow
1206	3216	3.20 (0.126) ±0.20 (0.008)	1.60 (0.063) ±0.20 (0.008)		0.50 (0.02) ±0.25 (0.010)	N/A	
1210	3225	3.20 (0.126) ±0.20 (0.008)	2.50 (0.098) ±0.20 (0.008)		0.50 (0.02) ±0.25 (0.010)		Solder Reflow Only
1808	4520	4.70 (0.185) ±0.50 (0.020)	2.00 (0.079) ±0.20 (0.008)		0.60 (0.024) ±0.35 (0.014)		
1812	4532	4.50 (0.177) ±0.30 (0.012)	3.20 (0.126) ±0.30 (0.012)		0.60 (0.024) ±0.35 (0.014)		
1825	4564	4.50 (0.177) ±0.30 (0.012)	6.40 (0.252) ±0.40 (0.016)		0.60 (0.024) ±0.35 (0.014)		
2220	5650	5.70 (0.224) ±0.40 (0.016)	5.00 (0.197) ±0.40 (0.016)		0.60 (0.024) ±0.35 (0.014)		
2225	5664	5.60 (0.220) ±0.40 (0.016)	6.40 (0.248) ±0.40 (0.016)		0.60 (0.024) ±0.35 (0.014)		

单击下面可查看定价，库存，交付和生命周期等信息

[>>KEMET\(基美\)](#)