

## Overview

The KEMET T215 Series High Temperature Solder is targeted for use in high humidity environments. These capacitors are ruggedly built, designed for miniaturized circuitry, and especially well-suited for coupling, bypass, filtering, and RC timing circuits. The T215 Series exhibits excellent stability as well as extremely low DC leakage current, dissipation factor and ESR/impedance over a wide temperature and frequency range. The internal design of these devices, as well as the hermetic seal, includes high

temperature solder (minimum melting point of 221°C). The content of tin in the solder does not exceed 97%.

This assembly is especially suited for temperature conditions where solder may fail due to undesirable solder reflow.

The KEMET T215 Series is available in standard EIA capacitance values from 0.0047  $\mu\text{F}$  to 330  $\mu\text{F}$  in  $\pm 20\%$ ,  $\pm 10\%$  and  $\pm 5\%$  tolerances, and working voltages of 6 VDC to 100 VDC and low ESR limits.

## Benefits

- Internal construction solder to resist up to 221°C
- Qualified to MIL-PRF-39003 (CSR13 Style)
- Failure rate options: Graded – B, C, D, and G, and Exponential – M, P, R, and S
- Operating temperature range of -55°C to +125°C
- Capacitance values of 0.0047  $\mu\text{F}$  to 330  $\mu\text{F}$
- Tolerances of  $\pm 5\%$ ,  $\pm 10\%$  and  $\pm 20\%$
- Voltage rating of 6 VDC – 100 VDC
- Surge current options D, E, and F
- Taped and reeled per EIA Specification RS-296
- Marking per MIL-STD-1285
- Case sizes: A, B, C, D



## Applications

Typical applications include coupling, bypass, filtering, and RC timing circuits in miniaturized circuitry.

## Ordering Information

| T               | 215   | A                | 105  | K                               | 050  | B  | S                    | 7200   |
|-----------------|---|------------------|--|---------------------------------|--|--|----------------------|--|
| Capacitor Class | Series  | Case Size        | Capacitance Code (pF)  | Capacitance Tolerance           | Rated Voltage (VDC)  | Failure Rate/Military Product Only   | Termination Finish   | Specification  |
| T = Tantalum    | Hermetically sealed axial high temperature solder | A<br>B<br>C<br>D | First two digits represent significant figures. Third digit specifies number of zeros. | J = ±5%<br>K = ±10%<br>M = ±20% | 006 = 6<br>010 = 10<br>015 = 15<br>020 = 20<br>035 = 35<br>050 = 50<br>075 = 75<br>100 = 100 | Graded:<br>B = 0.1%/k hours<br>C = 0.01%/k hours<br>D = 0.001%/k hours<br>G = 1.0 %/k hours<br>Exponential:<br>M = 1%/k hours<br>P = 0.1%/k hours<br>R = 0.01%/k hours<br>S = 0.001%/k hours | S = Standard (Sn/Pb) | Blank = Sleeved/Bulk<br>0100 = Without sleeve<br>7200 = Tape & Reel<br>7293 & 7443 = Ammo<br>4250 = 10 cycles, 25°C after Weibull<br>4251 = 10 cycles, -55 & 85°C after Weibull<br>4252 = 10 cycles, -55 & 85°C before Weibull<br>All capacitors are sleeved unless specified. |

## Ordering Information – (CSR13 Style)

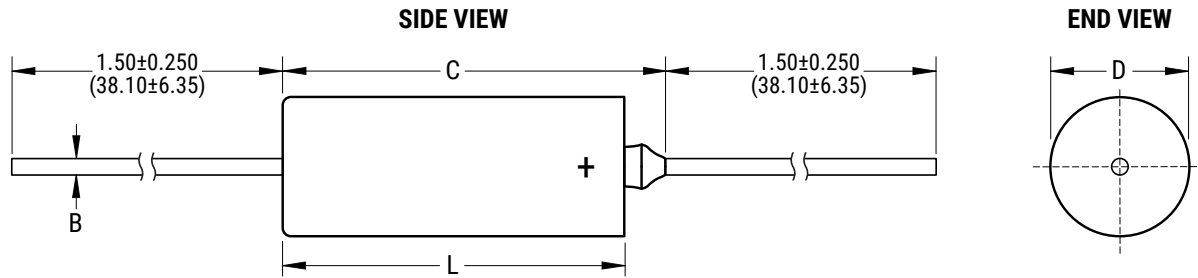
| M39003                        | /01                        | 6003               | E   |
|-------------------------------|----------------------------|--------------------|---|
| Capacitor Class               | Slash                      | Dash Number        | Surge Option  |
| Military specification number | Specification sheet number | Failure rate level | D = C-4250<br>E = C-4251<br>F = C-4252<br>H = No C-Spec |

Orders should be entered by the military specification number, including the dash number and surge option letter (D, E, F, or H).

## Performance Characteristics

| Item  | Performance Characteristics   |
|---|---|
| Operating Temperature                               | -55°C to 125°C  |
| Rated Capacitance Range                             | 0.0047 µF – 330 µF at 120 Hz/25°C   |
| Capacitance Tolerance                               | J Tolerance (5%), K Tolerance (10%), M Tolerance (20%)  |
| Rated Voltage Range                                 | 6 – 100 V   |
| DF (120 Hz at 25°C)                                 | Refer to Part Number Electrical Specification Table   |
| ESR and Impedance (100 kHz at 25°C)                 | Refer to Part Number Electrical Specification Table (for reference only)  |
| Leakage Current                                     | Refer to Part Number Electrical Specification Table (at rated voltage up to +85°C and 2/3 of rated voltage applied at 125°C)  |
| Failure Rate (MIL-PRF-39003, CSR13 capacitors only) | Approved failure rate: Graded G (1.0%/k hours), B (0.1%/k hours), C (0.01%/k hours), D (0.001%/k hours) and Exponential M (1.0%/k hours), P (0.1%/k hours), R (0.01%/k hours), S (0.001%/k hours) |

## Dimensions – Inches (Millimeters)



| Case Size | Uninsulated         |                     | Insulated           |                     | B ±0.002<br>±(0.05) | C<br>Maximum     |
|-----------|---------------------|---------------------|---------------------|---------------------|---------------------|------------------|
|           | D ±0.005<br>±(0.13) | L ±0.031<br>±(0.79) | D ±0.010<br>±(0.25) | L ±0.031<br>±(0.79) |                     |                  |
| A         | 0.125<br>(3.18)     | 0.250<br>(6.35)     | 0.135<br>(3.43)     | 0.286<br>(7.26)     | 0.020<br>(0.51)     | 0.422<br>(10.72) |
| B         | 0.175<br>(4.45)     | 0.438<br>(11.13)    | 0.185<br>(4.70)     | 0.474<br>(12.04)    | 0.020<br>(0.51)     | 0.610<br>(15.49) |
| C         | 0.279<br>(7.09)     | 0.650<br>(16.51)    | 0.289<br>(7.34)     | 0.686<br>(17.42)    | 0.025<br>(0.64)     | 0.822<br>(20.88) |
| D         | 0.341<br>(8.66)     | 0.750<br>(19.05)    | 0.351<br>(8.92)     | 0.786<br>(19.96)    | 0.025<br>(0.64)     | 0.922<br>(23.42) |

**Table 1 – Ratings & Part Number Reference**

| Rated Voltage | Rated Capacitance | Case Size Code | KEMET Military Part Number   | DC Leakage               | DF % at 25°C   | MIL-PRF-39003 (CSR13) Capacitors   |         |          |           |                  |         |          |           |
|---------------|-------------------|----------------|------------------------------|--------------------------|----------------|------------------------------------|---------|----------|-----------|------------------|---------|----------|-----------|
|               |                   |                |                              |                          |                | Dash Number Reference              |         |          |           |                  |         |          |           |
|               |                   |                |                              |                          |                | Failure Rate Level (%/1,000 hours) |         |          |           |                  |         |          |           |
|               |                   |                |                              |                          |                | MIL-PRF-39003/1K                   |         |          |           | MIL-PRF-39003/1K |         |          |           |
|               |                   |                |                              |                          |                | Exponential                        |         |          |           | Graded           |         |          |           |
| (V) 85°C      | µF                |                | (See below for part options) | µA at 25°C Max/5 Minutes | 120 Hz Maximum | M (1.0)                            | P (0.1) | R (0.01) | S (0.001) | G (1)            | B (0.1) | C (0.01) | D (0.001) |
| 6             | 5.6               | A              | T215A565J006(2)S             | 0.3                      | 4              | 5001-                              | 5201-   | 5401-    | 5601-     | 4001-            | 6001-   | 7001-    | 8001-     |
| 6             | 5.6               | A              | T215A565K006(2)S             | 0.3                      | 4              | 2241-                              | 2481-   | 2721-    | 2961-     | 4002-            | 6002-   | 7002-    | 8002-     |
| 6             | 6.8               | A              | T215A685J006(2)S             | 0.3                      | 6              | 5002-                              | 5202-   | 5402-    | 5602-     | 4003-            | 6003-   | 7003-    | 8003-     |
| 6             | 6.8               | A              | T215A685K006(2)S             | 0.3                      | 6              | 2242-                              | 2482-   | 2722-    | 2962-     | 4004-            | 6004-   | 7004-    | 8004-     |
| 6             | 6.8               | A              | T215A685M006(2)S             | 0.3                      | 6              | 2243-                              | 2483-   | 2723-    | 2963-     | 4005-            | 6005-   | 7005-    | 8005-     |
| 6             | 47.0              | B              | T215B476J006(2)S             | 1.5                      | 6              | 5003-                              | 5203-   | 5403-    | 5603-     | 4006-            | 6006-   | 7006-    | 8006-     |
| 6             | 47.0              | B              | T215B476K006(2)S             | 1.5                      | 6              | 2244-                              | 2484-   | 2724-    | 2964-     | 4007-            | 6007-   | 7007-    | 8007-     |
| 6             | 47.0              | B              | T215B476M006(2)S             | 1.5                      | 6              | 2245-                              | 2485-   | 2725-    | 2965-     | 4008-            | 6008-   | 7008-    | 8008-     |
| 6             | 56.0              | B              | T215B566J006(2)S             | 1.5                      | 6              | 5004-                              | 5204-   | 5404-    | 5604-     | 4009-            | 6009-   | 7009-    | 8009-     |
| 6             | 56.0              | B              | T215B566K006(2)S             | 1.5                      | 6              | 2246-                              | 2486-   | 2726-    | 2966-     | 4010-            | 6010-   | 7010-    | 8010-     |
| 6             | 150.0             | C              | T215C157J006(2)S             | 4.5                      | 6              | 5005-                              | 5205-   | 5405-    | 5605-     | 4011-            | 6011-   | 7011-    | 8011-     |
| 6             | 150.0             | C              | T215C157K006(2)S             | 4.5                      | 6              | 2247-                              | 2487-   | 2727-    | 2967-     | 4012-            | 6012-   | 7012-    | 8012-     |
| 6             | 150.0             | C              | T215C157M006(2)S             | 4.5                      | 6              | 2248-                              | 2488-   | 2728-    | 2968-     | 4013-            | 6013-   | 7013-    | 8013-     |
| 6             | 180.0             | C              | T215C187J006(2)S             | 5.5                      | 6              | 5006-                              | 5206-   | 5406-    | 5606-     | 4014-            | 6014-   | 7014-    | 8014-     |
| 6             | 180.0             | C              | T215C187K006(2)S             | 5.5                      | 6              | 2249-                              | 2489-   | 2729-    | 2969-     | 4015-            | 6015-   | 7015-    | 8015-     |
| 6             | 270.0             | D              | T215D277J006(2)S             | 6.0                      | 8              | 5007-                              | 5207-   | 5407-    | 5607-     | 4016-            | 6016-   | 7016-    | 8016-     |
| 6             | 270.0             | D              | T215D277K006(2)S             | 6.0                      | 8              | 2250-                              | 2490-   | 2730-    | 2970-     | 4017-            | 6017-   | 7017-    | 8017-     |
| 6             | 330.0             | D              | T215D337J006(2)S             | 7.5                      | 8              | 5008-                              | 5208-   | 5408-    | 5608-     | 4018-            | 6018-   | 7018-    | 8018-     |
| 6             | 330.0             | D              | T215D337K006(2)S             | 7.5                      | 8              | 2251-                              | 2491-   | 2731-    | 2971-     | 4019-            | 6019-   | 7019-    | 8019-     |
| 6             | 330.0             | D              | T215D337M006(2)S             | 7.5                      | 8              | 2252-                              | 2492-   | 2732-    | 2972-     | 4020-            | 6020-   | 7020-    | 8020-     |
| 10            | 3.9               | A              | T215A395J010(2)S             | 0.3                      | 4              | 5009-                              | 5209-   | 5409-    | 5609-     | 4021-            | 6021-   | 7021-    | 8021-     |
| 10            | 3.9               | A              | T215A395K010(2)S             | 0.3                      | 4              | 2253-                              | 2493-   | 2733-    | 2973-     | 4022-            | 6022-   | 7022-    | 8022-     |
| 10            | 4.7               | A              | T215A475J010(2)S             | 0.4                      | 4              | 5010-                              | 5210-   | 5410-    | 5610-     | 4023-            | 6023-   | 7023-    | 8023-     |
| 10            | 4.7               | A              | T215A475K010(2)S             | 0.4                      | 4              | 2254-                              | 2494-   | 2734-    | 2974-     | 4024-            | 6024-   | 7024-    | 8024-     |
| 10            | 4.7               | A              | T215A475M010(2)S             | 0.4                      | 4              | 2255-                              | 2495-   | 2735-    | 2975-     | 4025-            | 6025-   | 7025-    | 8025-     |
| 10            | 27.0              | B              | T215B276J010(2)S             | 2.0                      | 6              | 5011-                              | 5211-   | 5411-    | 5611-     | 4026-            | 6026-   | 7026-    | 8026-     |
| 10            | 27.0              | B              | T215B276K010(2)S             | 2.0                      | 6              | 2256-                              | 2496-   | 2736-    | 2976-     | 4027-            | 6027-   | 7027-    | 8027-     |
| 10            | 33.0              | B              | T215B336J010(2)S             | 2.0                      | 6              | 5012-                              | 5212-   | 5412-    | 5612-     | 4028-            | 6028-   | 7028-    | 8028-     |
| 10            | 33.0              | B              | T215B336K010(2)S             | 2.0                      | 6              | 2257-                              | 2497-   | 2737-    | 2977-     | 4029-            | 6029-   | 7029-    | 8029-     |
| 10            | 33.0              | B              | T215B336M010(2)S             | 2.0                      | 6              | 2258-                              | 2498-   | 2738-    | 2978-     | 4030-            | 6030-   | 7030-    | 8030-     |
| 10            | 39.0              | B              | T215B396J010(2)S             | 2.0                      | 6              | 5013-                              | 5213-   | 5413-    | 5613-     | 4031-            | 6031-   | 7031-    | 8031-     |
| 10            | 39.0              | B              | T215B396K010(2)S             | 2.0                      | 6              | 2259-                              | 2499-   | 2739-    | 2979-     | 4032-            | 6032-   | 7032-    | 8032-     |
| 10            | 82.0              | C              | T215C826J010(2)S             | 3.0                      | 6              | 5014-                              | 5214-   | 5414-    | 5614-     | 4033-            | 6033-   | 7033-    | 8033-     |
| 10            | 82.0              | C              | T215C826K010(2)S             | 3.0                      | 6              | 2260-                              | 2500-   | 2740-    | 2980-     | 4034-            | 6034-   | 7034-    | 8034-     |
| 10            | 100.0             | C              | T215C107J010(2)S             | 5.0                      | 6              | 5015-                              | 5215-   | 5415-    | 5615-     | 4035-            | 6035-   | 7035-    | 8035-     |
| 10            | 100.0             | C              | T215C107K010(2)S             | 5.0                      | 6              | 2261-                              | 2501-   | 2741-    | 2981-     | 4036-            | 6036-   | 7036-    | 8036-     |
| 10            | 100.0             | C              | T215C107M010(2)S             | 5.0                      | 6              | 2262-                              | 2502-   | 2742-    | 2982-     | 4037-            | 6037-   | 7037-    | 8037-     |
| 10            | 120.0             | C              | T215C127J010(2)S             | 6.0                      | 6              | 5016-                              | 5216-   | 5416-    | 5616-     | 4038-            | 6038-   | 7038-    | 8038-     |
| 10            | 120.0             | C              | T215C127K010(2)S             | 6.0                      | 6              | 2263-                              | 2503-   | 2743-    | 2983-     | 4039-            | 6039-   | 7039-    | 8039-     |
| 10            | 180.0             | D              | T215D187J010(2)S             | 9.0                      | 6              | 5017-                              | 5217-   | 5417-    | 5617-     | 4040-            | 6040-   | 7040-    | 8040-     |
| 10            | 180.0             | D              | T215D187K010(2)S             | 9.0                      | 6              | 2264-                              | 2504-   | 2744-    | 2984-     | 4041-            | 6041-   | 7041-    | 8041-     |
| 10            | 220.0             | D              | T215D227J010(2)S             | 10.0                     | 8              | 5018-                              | 5218-   | 5418-    | 5618-     | 4042-            | 6042-   | 7042-    | 8042-     |
| 10            | 220.0             | D              | T215D227K010(2)S             | 10.0                     | 8              | 2265-                              | 2505-   | 2745-    | 2985-     | 4043-            | 6043-   | 7043-    | 8043-     |
| 10            | 220.0             | D              | T215D227M010(2)S             | 10.0                     | 8              | 2266-                              | 2506-   | 2746-    | 2986-     | 4044-            | 6044-   | 7044-    | 8044-     |
| 15            | 2.7               | A              | T215A275J015(2)S             | 0.3                      | 4              | 5019-                              | 5219-   | 5419-    | 5619-     | 4045-            | 6045-   | 7045-    | 8045-     |
| 15            | 2.7               | A              | T215A275K015(2)S             | 0.3                      | 4              | 2267-                              | 2507-   | 2747-    | 2987-     | 4046-            | 6046-   | 7046-    | 8046-     |
| 15            | 3.3               | A              | T215A335J015(2)S             | 0.4                      | 4              | 5020-                              | 5220-   | 5420-    | 5620-     | 4047-            | 6047-   | 7047-    | 8047-     |
| 15            | 3.3               | A              | T215A335K015(2)S             | 0.4                      | 4              | 2268-                              | 2508-   | 2748-    | 2988-     | 4048-            | 6048-   | 7048-    | 8048-     |
| 15            | 3.3               | A              | T215A335M015(2)S             | 0.4                      | 4              | 2269-                              | 2509-   | 2749-    | 2989-     | 4049-            | 6049-   | 7049-    | 8049-     |
| 15            | 18.0              | B              | T215B186J015(2)S             | 2.0                      | 6              | 5021-                              | 5221-   | 5421-    | 5621-     | 4050-            | 6050-   | 7050-    | 8050-     |
| (V) 85°C      | µF                | Case Size Code | (see below for part options) | µA at 25°C Max/5 Minutes | 120 Hz Maximum | M (1.0)                            | P (0.1) | R (0.01) | S (0.001) | G (1)            | B (0.1) | C (0.01) | D (0.001) |
| Rated Voltage | Rated Capacitance | Case Size Code | KEMET Part Number            | DC Leakage               | DF % at 25°C   | MIL-PRF-39003 (CSR13) Capacitors   |         |          |           |                  |         |          |           |

(2) To complete KEMET part number (T215), insert graded failure rate: G for 1%/k hours, B for 0.1%/k hours, C for 0.01%/k hours, D for 0.001%/k hours or the exponential rate letter. Designates reliability level.

**Table 1 – Ratings & Part Number Reference cont.**

| Rated Voltage | Rated Capacitance | Case Size Code | KEMET Military Part Number   | DC Leakage               | DF % at 25°C   | MIL-PRF-39003 (CSR13) Capacitors   |         |          |           |                  |         |          |           |
|---------------|-------------------|----------------|------------------------------|--------------------------|----------------|------------------------------------|---------|----------|-----------|------------------|---------|----------|-----------|
|               |                   |                |                              |                          |                | Dash Number Reference              |         |          |           |                  |         |          |           |
|               |                   |                |                              |                          |                | Failure Rate Level (%/1,000 hours) |         |          |           |                  |         |          |           |
|               |                   |                |                              |                          |                | MIL-PRF-39003/1K                   |         |          |           | MIL-PRF-39003/1K |         |          |           |
|               |                   |                |                              |                          |                | Exponential                        |         |          |           | Graded           |         |          |           |
| (V) 85°C      | µF                |                | (See below for part options) | µA at 25°C Max/5 Minutes | 120 Hz Maximum | M (1.0)                            | P (0.1) | R (0.01) | S (0.001) | G (1)            | B (0.1) | C (0.01) | D (0.001) |
| 15            | 18.0              | B              | T215B186K015(2)S             | 2.0                      | 6              | 2270-                              | 2510-   | 2750-    | 2990-     | 4051-            | 6051-   | 7051-    | 8051-     |
| 15            | 22.0              | B              | T215B226J015(2)S             | 2.0                      | 6              | 5022-                              | 5222-   | 5422-    | 5622-     | 4052-            | 6052-   | 7052-    | 8052-     |
| 15            | 22.0              | B              | T215B226K015(2)S             | 2.0                      | 6              | 2271-                              | 2511-   | 2751-    | 2991-     | 4053-            | 6053-   | 7053-    | 8053-     |
| 15            | 22.0              | B              | T215B226M015(2)S             | 2.0                      | 6              | 2272-                              | 2512-   | 2752-    | 2992-     | 4054-            | 6054-   | 7054-    | 8054-     |
| 15            | 56.0              | C              | T215C566J015(2)S             | 4.0                      | 6              | 5023-                              | 5223-   | 5423-    | 5623-     | 4055-            | 6055-   | 7055-    | 8055-     |
| 15            | 56.0              | C              | T215C566K015(2)S             | 4.0                      | 6              | 2273-                              | 2513-   | 2753-    | 2993-     | 4056-            | 6056-   | 7056-    | 8056-     |
| 15            | 68.0              | C              | T215C686J015(2)S             | 5.0                      | 6              | 5024-                              | 5224-   | 5424-    | 5624-     | 4057-            | 6057-   | 7057-    | 8057-     |
| 15            | 68.0              | C              | T215C686K015(2)S             | 5.0                      | 6              | 2274-                              | 2514-   | 2754-    | 2994-     | 4058-            | 6058-   | 7058-    | 8058-     |
| 15            | 68.0              | C              | T215C686M015(2)S             | 5.0                      | 6              | 2275-                              | 2515-   | 2755-    | 2995-     | 4059-            | 6059-   | 7059-    | 8059-     |
| 15            | 120.0             | D              | T215D127J015(2)S             | 6.0                      | 6              | 5025-                              | 5225-   | 5425-    | 5625-     | 4060-            | 6060-   | 7060-    | 8060-     |
| 15            | 120.0             | D              | T215D127K015(2)S             | 6.0                      | 6              | 2276-                              | 2516-   | 2756-    | 2996-     | 4061-            | 6061-   | 7061-    | 8061-     |
| 15            | 150.0             | D              | T215D157J015(2)S             | 8.0                      | 6              | 5026-                              | 5226-   | 5426-    | 5626-     | 4062-            | 6062-   | 7062-    | 8062-     |
| 15            | 150.0             | D              | T215D157K015(2)S             | 8.0                      | 6              | 2277-                              | 2517-   | 2757-    | 2997-     | 4063-            | 6063-   | 7063-    | 8063-     |
| 15            | 150.0             | D              | T215D157M015(2)S             | 8.0                      | 6              | 2278-                              | 2518-   | 2758-    | 2998-     | 4064-            | 6064-   | 7064-    | 8064-     |
| 20            | 1.2               | A              | T215A125J020(2)S             | 0.3                      | 4              | 5027-                              | 5227-   | 5427-    | 5627-     | 4065-            | 6065-   | 7065-    | 8065-     |
| 20            | 1.2               | A              | T215A125K020(2)S             | 0.3                      | 4              | 2279-                              | 2519-   | 2759-    | 2999-     | 4066-            | 6066-   | 7066-    | 8066-     |
| 20            | 1.5               | A              | T215A155J020(2)S             | 0.3                      | 4              | 5028-                              | 5228-   | 5428-    | 5628-     | 4067-            | 6067-   | 7067-    | 8067-     |
| 20            | 1.5               | A              | T215A155K020(2)S             | 0.3                      | 4              | 2280-                              | 2520-   | 2760-    | 3000-     | 4068-            | 6068-   | 7068-    | 8068-     |
| 20            | 1.5               | A              | T215A155M020(2)S             | 0.3                      | 4              | 2281-                              | 2521-   | 2761-    | 3001-     | 4069-            | 6069-   | 7069-    | 8069-     |
| 20            | 1.8               | A              | T215A185J020(2)S             | 0.3                      | 4              | 5029-                              | 5229-   | 5429-    | 5629-     | 4070-            | 6070-   | 7070-    | 8070-     |
| 20            | 1.8               | A              | T215A185K020(2)S             | 0.3                      | 4              | 2282-                              | 2522-   | 2762-    | 3002-     | 4071-            | 6071-   | 7071-    | 8071-     |
| 20            | 2.2               | A              | T215A225J020(2)S             | 0.4                      | 4              | 5030-                              | 5230-   | 5430-    | 5630-     | 4072-            | 6072-   | 7072-    | 8072-     |
| 20            | 2.2               | A              | T215A225K020(2)S             | 0.4                      | 4              | 2283-                              | 2523-   | 2763-    | 3003-     | 4073-            | 6073-   | 7073-    | 8073-     |
| 20            | 2.2               | A              | T215A225M020(2)S             | 0.4                      | 4              | 2284-                              | 2524-   | 2764-    | 3004-     | 4074-            | 6074-   | 7074-    | 8074-     |
| 20            | 8.2               | B              | T215B825J020(2)S             | 1.0                      | 6              | 5031-                              | 5231-   | 5431-    | 5631-     | 4075-            | 6075-   | 7075-    | 8075-     |
| 20            | 8.2               | B              | T215B825K020(2)S             | 1.0                      | 6              | 2285-                              | 2525-   | 2765-    | 3005-     | 4076-            | 6076-   | 7076-    | 8076-     |
| 20            | 10.0              | B              | T215B106J020(2)S             | 1.0                      | 6              | 5032-                              | 5232-   | 5432-    | 5632-     | 4077-            | 6077-   | 7077-    | 8077-     |
| 20            | 10.0              | B              | T215B106K020(2)S             | 1.0                      | 6              | 2286-                              | 2526-   | 2766-    | 3006-     | 4078-            | 6078-   | 7078-    | 8078-     |
| 20            | 10.0              | B              | T215B106M020(2)S             | 1.0                      | 6              | 2287-                              | 2527-   | 2767-    | 3007-     | 4079-            | 6079-   | 7079-    | 8079-     |
| 20            | 12.0              | B              | T215B126J020(2)S             | 1.0                      | 6              | 5033-                              | 5233-   | 5433-    | 5633-     | 4080-            | 6080-   | 7080-    | 8080-     |
| 20            | 12.0              | B              | T215B126K020(2)S             | 1.0                      | 6              | 2288-                              | 2528-   | 2768-    | 3008-     | 4081-            | 6081-   | 7081-    | 8081-     |
| 20            | 15.0              | B              | T215B156J020(2)S             | 2.0                      | 6              | 5034-                              | 5234-   | 5434-    | 5634-     | 4082-            | 6082-   | 7082-    | 8082-     |
| 20            | 15.0              | B              | T215B156K020(2)S             | 2.0                      | 6              | 2289-                              | 2529-   | 2769-    | 3009-     | 4083-            | 6083-   | 7083-    | 8083-     |
| 20            | 15.0              | B              | T215B156M020(2)S             | 2.0                      | 6              | 2290-                              | 2530-   | 2770-    | 3010-     | 4084-            | 6084-   | 7084-    | 8084-     |
| 20            | 27.0              | C              | T215C276J020(2)S             | 2.5                      | 6              | 5035-                              | 5235-   | 5435-    | 5635-     | 4085-            | 6085-   | 7085-    | 8085-     |
| 20            | 27.0              | C              | T215C276K020(2)S             | 2.5                      | 6              | 2291-                              | 2531-   | 2771-    | 3011-     | 4086-            | 6086-   | 7086-    | 8086-     |
| 20            | 33.0              | C              | T215C336J020(2)S             | 3.0                      | 6              | 5036-                              | 5236-   | 5436-    | 5636-     | 4087-            | 6087-   | 7087-    | 8087-     |
| 20            | 33.0              | C              | T215C336K020(2)S             | 3.0                      | 6              | 2292-                              | 2532-   | 2772-    | 3012-     | 4088-            | 6088-   | 7088-    | 8088-     |
| 20            | 33.0              | C              | T215C336M020(2)S             | 3.0                      | 6              | 2293-                              | 2533-   | 2773-    | 3013-     | 4089-            | 6089-   | 7089-    | 8089-     |
| 20            | 39.0              | C              | T215C396J020(2)S             | 3.0                      | 6              | 5037-                              | 5237-   | 5437-    | 5637-     | 4090-            | 6090-   | 7090-    | 8090-     |
| 20            | 39.0              | C              | T215C396K020(2)S             | 3.0                      | 6              | 2294-                              | 2534-   | 2774-    | 3014-     | 4091-            | 6091-   | 7091-    | 8091-     |
| 20            | 47.0              | C              | T215C476J020(2)S             | 4.5                      | 6              | 5038-                              | 5238-   | 5438-    | 5638-     | 4092-            | 6092-   | 7092-    | 8092-     |
| 20            | 47.0              | C              | T215C476K020(2)S             | 4.5                      | 6              | 2295-                              | 2535-   | 2775-    | 3015-     | 4093-            | 6093-   | 7093-    | 8093-     |
| 20            | 47.0              | C              | T215C476M020(2)S             | 4.5                      | 6              | 2296-                              | 2536-   | 2776-    | 3016-     | 4094-            | 6094-   | 7094-    | 8094-     |
| 20            | 56.0              | D              | T215D566J020(2)S             | 5.5                      | 6              | 5039-                              | 5239-   | 5439-    | 5639-     | 4095-            | 6095-   | 7095-    | 8095-     |
| 20            | 56.0              | D              | T215D566K020(2)S             | 5.5                      | 6              | 2297-                              | 2537-   | 2777-    | 3017-     | 4096-            | 6096-   | 7096-    | 8096-     |
| 20            | 68.0              | D              | T215D686J020(2)S             | 6.0                      | 6              | 5040-                              | 5240-   | 5440-    | 5640-     | 4097-            | 6097-   | 7097-    | 8097-     |
| 20            | 68.0              | D              | T215D686K020(2)S             | 6.0                      | 6              | 2298-                              | 2538-   | 2778-    | 3018-     | 4098-            | 6098-   | 7098-    | 8098-     |
| 20            | 68.0              | D              | T215D686M020(2)S             | 6.0                      | 6              | 2299-                              | 2539-   | 2779-    | 3019-     | 4099-            | 6099-   | 7099-    | 8099-     |
| 20            | 82.0              | D              | T215D826J020(2)S             | 6.0                      | 6              | 5041-                              | 5241-   | 5441-    | 5641-     | 4100-            | 6100-   | 7100-    | 8100-     |
| (V) 85°C      | µF                | Case Size Code | (see below for part options) | µA at 25°C Max/5 Minutes | 120 Hz Maximum | M (1.0)                            | P (0.1) | R (0.01) | S (0.001) | G (1)            | B (0.1) | C (0.01) | D (0.001) |
| Rated Voltage | Rated Capacitance | Case Size Code | KEMET Part Number            | DC Leakage               | DF % at 25°C   | MIL-PRF-39003 (CSR13) Capacitors   |         |          |           |                  |         |          |           |

(2) To complete KEMET part number (T215), insert graded failure rate: G for 1%/k hours, B for 0.1%/k hours, C for 0.01%/k hours, D for 0.001%/k hours or the exponential rate letter. Designates reliability level.

**Table 1 – Ratings & Part Number Reference cont.**

| Rated Voltage | Rated Capacitance | Case Size Code | KEMET Military Part Number   | DC Leakage               | DF % at 25°C   | MIL-PRF-39003 (CSR13) Capacitors   |         |          |           |                  |         |          |           |
|---------------|-------------------|----------------|------------------------------|--------------------------|----------------|------------------------------------|---------|----------|-----------|------------------|---------|----------|-----------|
|               |                   |                |                              |                          |                | Dash Number Reference              |         |          |           |                  |         |          |           |
|               |                   |                |                              |                          |                | Failure Rate Level (%/1,000 hours) |         |          |           |                  |         |          |           |
|               |                   |                |                              |                          |                | MIL-PRF-39003/1K                   |         |          |           | MIL-PRF-39003/1K |         |          |           |
|               |                   |                |                              |                          |                | Exponential                        |         |          |           | Graded           |         |          |           |
| (V) 85°C      | µF                |                | (See below for part options) | µA at 25°C Max/5 Minutes | 120 Hz Maximum | M (1.0)                            | P (0.1) | R (0.01) | S (0.001) | G (1)            | B (0.1) | C (0.01) | D (0.001) |
| 20            | 82.0              | D              | T215D826K020(2)S             | 6.0                      | 6              | 2300-                              | 2540-   | 2780-    | 3020-     | 4101-            | 6101-   | 7101-    | 8101-     |
| 20            | 100.0             | D              | T215D107J020(2)S             | 10.0                     | 6              | 5042-                              | 5242-   | 5442-    | 5642-     | 4102-            | 6102-   | 7102-    | 8102-     |
| 20            | 100.0             | D              | T215D107K020(2)S             | 10.0                     | 6              | 2301-                              | 2541-   | 2781-    | 3021-     | 4103-            | 6103-   | 7103-    | 8103-     |
| 20            | 100.0             | D              | T215D107M020(2)S             | 10.0                     | 6              | 2302-                              | 2542-   | 2782-    | 3022-     | 4104-            | 6104-   | 7104-    | 8104-     |
| 35            | 5.6               | B              | T215B565J035(2)S             | 1.0                      | 4              | 5043-                              | 5243-   | 5443-    | 5643-     | 4105-            | 6105-   | 7105-    | 8105-     |
| 35            | 5.6               | B              | T215B565K035(2)S             | 1.0                      | 4              | 2303-                              | 2543-   | 2783-    | 3023-     | 4106-            | 6106-   | 7106-    | 8106-     |
| 35            | 6.8               | B              | T215B685J035(2)S             | 1.5                      | 4              | 5044-                              | 5244-   | 5444-    | 5644-     | 4107-            | 6107-   | 7107-    | 8107-     |
| 35            | 6.8               | B              | T215B685K035(2)S             | 1.5                      | 4              | 2304-                              | 2544-   | 2784-    | 3024-     | 4108-            | 6108-   | 7108-    | 8108-     |
| 35            | 6.8               | B              | T215B685M035(2)S             | 1.5                      | 6              | 2305-                              | 2545-   | 2785-    | 3025-     | 4109-            | 6109-   | 7109-    | 8109-     |
| 35            | 22.0              | C              | T215C226J035(2)S             | 4.0                      | 4              | 5045-                              | 5245-   | 5445-    | 5645-     | 4110-            | 6110-   | 7110-    | 8110-     |
| 35            | 22.0              | C              | T215C226K035(2)S             | 4.0                      | 4              | 2306-                              | 2546-   | 2786-    | 3026-     | 4111-            | 6111-   | 7111-    | 8111-     |
| 35            | 22.0              | C              | T215C226M035(2)S             | 4.0                      | 4              | 5046-                              | 5246-   | 5446-    | 5646-     | 4112-            | 6112-   | 7112-    | 8112-     |
| 35            | 27.0              | D              | T215D276J035(2)S             | 4.5                      | 4              | 2307-                              | 2547-   | 2787-    | 3027-     | 4113-            | 6113-   | 7113-    | 8113-     |
| 35            | 27.0              | D              | T215D276K035(2)S             | 4.5                      | 4              | 2308-                              | 2548-   | 2788-    | 3028-     | 4114-            | 6114-   | 7114-    | 8114-     |
| 35            | 33.0              | D              | T215D336J035(2)S             | 5.5                      | 4              | 5047-                              | 5247-   | 5447-    | 5647-     | 4115-            | 6115-   | 7115-    | 8115-     |
| 35            | 33.0              | D              | T215D336K035(2)S             | 5.5                      | 4              | 2309-                              | 2549-   | 2789-    | 3029-     | 4116-            | 6116-   | 7116-    | 8116-     |
| 35            | 33.0              | D              | T215D336M035(2)S             | 5.5                      | 4              | 2310-                              | 2550-   | 2790-    | 3030-     | 4117-            | 6117-   | 7117-    | 8117-     |
| 35            | 39.0              | D              | T215D396J035(2)S             | 6.0                      | 4              | 5048-                              | 5248-   | 5448-    | 5648-     | 4118-            | 6118-   | 7118-    | 8118-     |
| 35            | 39.0              | D              | T215D396K035(2)S             | 6.0                      | 4              | 2311-                              | 2551-   | 2791-    | 3031-     | 4119-            | 6119-   | 7119-    | 8119-     |
| 35            | 47.0              | D              | T215D476J035(2)S             | 8.0                      | 4              | 5049-                              | 5249-   | 5449-    | 5649-     | 4120-            | 6120-   | 7120-    | 8120-     |
| 35            | 47.0              | D              | T215D476K035(2)S             | 8.0                      | 4              | 2312-                              | 2552-   | 2792-    | 3032-     | 4121-            | 6121-   | 7121-    | 8121-     |
| 35            | 47.0              | D              | T215D476M035(2)S             | 8.0                      | 4              | 2313-                              | 2553-   | 2793-    | 3033-     | 4122-            | 6122-   | 7122-    | 8122-     |
| 50            | 0.0047            | A              | T215A472J050(2)S             | 0.1                      | 2              | 5050-                              | 5250-   | 5450-    | 5650-     | 4123-            | 6123-   | 7123-    | 8123-     |
| 50            | 0.0047            | A              | T215A472K050(2)S             | 0.1                      | 2              | 2314-                              | 2554-   | 2794-    | 3034-     | 4124-            | 6124-   | 7124-    | 8124-     |
| 50            | 0.0047            | A              | T215A472M050(2)S             | 0.1                      | 2              | 2315-                              | 2555-   | 2795-    | 3035-     | 4125-            | 6125-   | 7125-    | 8125-     |
| 50            | 0.0056            | A              | T215A562J050(2)S             | 0.1                      | 2              | 5051-                              | 5251-   | 5451-    | 5651-     | 4126-            | 6126-   | 7126-    | 8126-     |
| 50            | 0.0056            | A              | T215A562K050(2)S             | 0.1                      | 2              | 2316-                              | 2556-   | 2796-    | 3036-     | 4127-            | 6127-   | 7127-    | 8127-     |
| 50            | 0.0068            | A              | T215A682J050(2)S             | 0.1                      | 2              | 5052-                              | 5252-   | 5452-    | 5652-     | 4128-            | 6128-   | 7128-    | 8128-     |
| 50            | 0.0068            | A              | T215A682K050(2)S             | 0.1                      | 2              | 2317-                              | 2557-   | 2797-    | 3037-     | 4129-            | 6129-   | 7129-    | 8129-     |
| 50            | 0.0068            | A              | T215A682M050(2)S             | 0.1                      | 2              | 2318-                              | 2558-   | 2798-    | 3038-     | 4130-            | 6130-   | 7130-    | 8130-     |
| 50            | 0.0082            | A              | T215A822J050(2)S             | 0.1                      | 2              | 5053-                              | 5253-   | 5453-    | 5653-     | 4131-            | 6131-   | 7131-    | 8131-     |
| 50            | 0.0082            | A              | T215A822K050(2)S             | 0.1                      | 2              | 2319-                              | 2559-   | 2799-    | 3039-     | 4132-            | 6132-   | 7132-    | 8132-     |
| 50            | 0.01              | A              | T215A103J050(2)S             | 0.1                      | 2              | 5054-                              | 5254-   | 5454-    | 5654-     | 4133-            | 6133-   | 7133-    | 8133-     |
| 50            | 0.01              | A              | T215A103K050(2)S             | 0.1                      | 2              | 2320-                              | 2560-   | 2800-    | 3040-     | 4134-            | 6134-   | 7134-    | 8134-     |
| 50            | 0.01              | A              | T215A103M050(2)S             | 0.1                      | 2              | 2321-                              | 2561-   | 2801-    | 3041-     | 4135-            | 6135-   | 7135-    | 8135-     |
| 50            | 0.012             | A              | T215A123J050(2)S             | 0.1                      | 2              | 5055-                              | 5255-   | 5455-    | 5655-     | 4136-            | 6136-   | 7136-    | 8136-     |
| 50            | 0.012             | A              | T215A123K050(2)S             | 0.1                      | 2              | 2322-                              | 2562-   | 2802-    | 3042-     | 4137-            | 6137-   | 7137-    | 8137-     |
| 50            | 0.015             | A              | T215A153J050(2)S             | 0.1                      | 2              | 5056-                              | 5256-   | 5456-    | 5656-     | 4138-            | 6138-   | 7138-    | 8138-     |
| 50            | 0.015             | A              | T215A153K050(2)S             | 0.1                      | 2              | 2323-                              | 2563-   | 2803-    | 3043-     | 4139-            | 6139-   | 7139-    | 8139-     |
| 50            | 0.015             | A              | T215A153M050(2)S             | 0.1                      | 2              | 2324-                              | 2564-   | 2804-    | 3044-     | 4140-            | 6140-   | 7140-    | 8140-     |
| 50            | 0.018             | A              | T215A183J050(2)S             | 0.1                      | 2              | 5057-                              | 5257-   | 5457-    | 5657-     | 4141-            | 6141-   | 7141-    | 8141-     |
| 50            | 0.018             | A              | T215A183K050(2)S             | 0.1                      | 2              | 2325-                              | 2565-   | 2805-    | 3045-     | 4142-            | 6142-   | 7142-    | 8142-     |
| 50            | 0.022             | A              | T215A223J050(2)S             | 0.1                      | 2              | 5058-                              | 5258-   | 5458-    | 5658-     | 4143-            | 6143-   | 7143-    | 8143-     |
| 50            | 0.022             | A              | T215A223K050(2)S             | 0.1                      | 2              | 2326-                              | 2566-   | 2806-    | 3046-     | 4144-            | 6144-   | 7144-    | 8144-     |
| 50            | 0.022             | A              | T215A223M050(2)S             | 0.1                      | 2              | 2327-                              | 2567-   | 2807-    | 3047-     | 4145-            | 6145-   | 7145-    | 8145-     |
| 50            | 0.027             | A              | T215A273J050(2)S             | 0.1                      | 2              | 5059-                              | 5259-   | 5459-    | 5659-     | 4146-            | 6146-   | 7146-    | 8146-     |
| 50            | 0.027             | A              | T215A273K050(2)S             | 0.1                      | 2              | 2328-                              | 2568-   | 2808-    | 3048-     | 4147-            | 6147-   | 7147-    | 8147-     |
| 50            | 0.033             | A              | T215A333J050(2)S             | 0.1                      | 2              | 5060-                              | 5260-   | 5460-    | 5660-     | 4148-            | 6148-   | 7148-    | 8148-     |
| 50            | 0.033             | A              | T215A333K050(2)S             | 0.1                      | 2              | 2329-                              | 2569-   | 2809-    | 3049-     | 4149-            | 6149-   | 7149-    | 8149-     |
| 50            | 0.033             | A              | T215A333M050(2)S             | 0.1                      | 2              | 2330-                              | 2570-   | 2810-    | 3050-     | 4150-            | 6150-   | 7150-    | 8150-     |
| (V) 85°C      | µF                | Case Size Code | (see below for part options) | µA at 25°C Max/5 Minutes | 120 Hz Maximum | M (1.0)                            | P (0.1) | R (0.01) | S (0.001) | G (1)            | B (0.1) | C (0.01) | D (0.001) |
| Rated Voltage | Rated Capacitance | Case Size Code | KEMET Part Number            | DC Leakage               | DF % at 25°C   | MIL-PRF-39003 (CSR13) Capacitors   |         |          |           |                  |         |          |           |

(2) To complete KEMET part number (T215), insert graded failure rate: G for 1%/k hours, B for 0.1%/k hours, C for 0.01%/k hours, D for 0.001%/k hours or the exponential rate letter. Designates reliability level.

**Table 1 – Ratings & Part Number Reference cont.**

| Rated Voltage | Rated Capacitance | Case Size Code | KEMET Military Part Number   | DC Leakage               | DF % at 25°C   | MIL-PRF-39003 (CSR13) Capacitors   |         |          |           |                  |         |          |           |
|---------------|-------------------|----------------|------------------------------|--------------------------|----------------|------------------------------------|---------|----------|-----------|------------------|---------|----------|-----------|
|               |                   |                |                              |                          |                | Dash Number Reference              |         |          |           |                  |         |          |           |
|               |                   |                |                              |                          |                | Failure Rate Level (%/1,000 hours) |         |          |           |                  |         |          |           |
|               |                   |                |                              |                          |                | MIL-PRF-39003/1K                   |         |          |           | MIL-PRF-39003/1K |         |          |           |
|               |                   |                |                              |                          |                | Exponential                        |         |          |           | Graded           |         |          |           |
| (V) 85°C      | µF                |                | (See below for part options) | µA at 25°C Max/5 Minutes | 120 Hz Maximum | M (1.0)                            | P (0.1) | R (0.01) | S (0.001) | G (1)            | B (0.1) | C (0.01) | D (0.001) |
| 50            | 0.039             | A              | T215A393J050(2)S             | 0.1                      | 2              | 5061-                              | 5261-   | 5461-    | 5661-     | 4151-            | 6151-   | 7151-    | 8151-     |
| 50            | 0.039             | A              | T215A393K050(2)S             | 0.1                      | 2              | 2331-                              | 2571-   | 2811-    | 3051-     | 4152-            | 6152-   | 7152-    | 8152-     |
| 50            | 0.047             | A              | T215A473J050(2)S             | 0.1                      | 2              | 5062-                              | 5262-   | 5462-    | 5662-     | 4153-            | 6153-   | 7153-    | 8153-     |
| 50            | 0.047             | A              | T215A473K050(2)S             | 0.1                      | 2              | 2332-                              | 2572-   | 2812-    | 3052-     | 4154-            | 6154-   | 7154-    | 8154-     |
| 50            | 0.047             | A              | T215A473M050(2)S             | 0.1                      | 2              | 2333-                              | 2573-   | 2813-    | 3053-     | 4155-            | 6155-   | 7155-    | 8155-     |
| 50            | 0.056             | A              | T215A563J050(2)S             | 0.1                      | 2              | 5063-                              | 5263-   | 5463-    | 5663-     | 4156-            | 6156-   | 7156-    | 8156-     |
| 50            | 0.056             | A              | T215A563K050(2)S             | 0.1                      | 2              | 2334-                              | 2574-   | 2814-    | 3054-     | 4157-            | 6157-   | 7157-    | 8157-     |
| 50            | 0.068             | A              | T215A683J050(2)S             | 0.1                      | 2              | 5064-                              | 5264-   | 5464-    | 5664-     | 4158-            | 6158-   | 7158-    | 8158-     |
| 50            | 0.068             | A              | T215A683K050(2)S             | 0.1                      | 2              | 2335-                              | 2575-   | 2815-    | 3055-     | 4159-            | 6159-   | 7159-    | 8159-     |
| 50            | 0.068             | A              | T215A683M050(2)S             | 0.1                      | 2              | 2336-                              | 2576-   | 2816-    | 3056-     | 4160-            | 6160-   | 7160-    | 8160-     |
| 50            | 0.082             | A              | T215A823J050(2)S             | 0.1                      | 2              | 5065-                              | 5265-   | 5465-    | 5665-     | 4161-            | 6161-   | 7161-    | 8161-     |
| 50            | 0.082             | A              | T215A823K050(2)S             | 0.1                      | 2              | 2337-                              | 2577-   | 2817-    | 3057-     | 4162-            | 6162-   | 7162-    | 8162-     |
| 50            | 0.1               | A              | T215A104J050(2)S             | 0.3                      | 2              | 5066-                              | 5266-   | 5466-    | 5666-     | 4163-            | 6163-   | 7163-    | 8163-     |
| 50            | 0.1               | A              | T215A104K050(2)S             | 0.3                      | 2              | 2338-                              | 2578-   | 2818-    | 3058-     | 4164-            | 6164-   | 7164-    | 8164-     |
| 50            | 0.1               | A              | T215A104M050(2)S             | 0.3                      | 2              | 2339-                              | 2579-   | 2819-    | 3059-     | 4165-            | 6165-   | 7165-    | 8165-     |
| 50            | 0.12              | A              | T215A124J050(2)S             | 0.3                      | 2              | 5067-                              | 5267-   | 5467-    | 5667-     | 4166-            | 6166-   | 7166-    | 8166-     |
| 50            | 0.12              | A              | T215A124K050(2)S             | 0.3                      | 2              | 2340-                              | 2580-   | 2820-    | 3060-     | 4167-            | 6167-   | 7167-    | 8167-     |
| 50            | 0.15              | A              | T215A154J050(2)S             | 0.3                      | 2              | 5068-                              | 5268-   | 5468-    | 5668-     | 4168-            | 6168-   | 7168-    | 8168-     |
| 50            | 0.15              | A              | T215A154K050(2)S             | 0.3                      | 2              | 2341-                              | 2581-   | 2821-    | 3061-     | 4169-            | 6169-   | 7169-    | 8169-     |
| 50            | 0.15              | A              | T215A154M050(2)S             | 0.3                      | 2              | 2342-                              | 2582-   | 2822-    | 3062-     | 4170-            | 6170-   | 7170-    | 8170-     |
| 50            | 0.18              | A              | T215A184J050(2)S             | 0.3                      | 2              | 5069-                              | 5269-   | 5469-    | 5669-     | 4171-            | 6171-   | 7171-    | 8171-     |
| 50            | 0.18              | A              | T215A184K050(2)S             | 0.3                      | 2              | 2343-                              | 2583-   | 2823-    | 3063-     | 4172-            | 6172-   | 7172-    | 8172-     |
| 50            | 0.22              | A              | T215A224J050(2)S             | 0.3                      | 2              | 5070-                              | 5270-   | 5470-    | 5670-     | 4173-            | 6173-   | 7173-    | 8173-     |
| 50            | 0.22              | A              | T215A224K050(2)S             | 0.3                      | 2              | 2344-                              | 2584-   | 2824-    | 3064-     | 4174-            | 6174-   | 7174-    | 8174-     |
| 50            | 0.22              | A              | T215A224M050(2)S             | 0.3                      | 2              | 2345-                              | 2585-   | 2825-    | 3065-     | 4175-            | 6175-   | 7175-    | 8175-     |
| 50            | 0.27              | A              | T215A274J050(2)S             | 0.3                      | 2              | 5071-                              | 5271-   | 5471-    | 5671-     | 4176-            | 6176-   | 7176-    | 8176-     |
| 50            | 0.27              | A              | T215A274K050(2)S             | 0.3                      | 2              | 2346-                              | 2586-   | 2826-    | 3066-     | 4177-            | 6177-   | 7177-    | 8177-     |
| 50            | 0.33              | A              | T215A334J050(2)S             | 0.3                      | 2              | 5072-                              | 5272-   | 5472-    | 5672-     | 4178-            | 6178-   | 7178-    | 8178-     |
| 50            | 0.33              | A              | T215A334K050(2)S             | 0.3                      | 2              | 2347-                              | 2587-   | 2827-    | 3067-     | 4179-            | 6179-   | 7179-    | 8179-     |
| 50            | 0.33              | A              | T215A334M050(2)S             | 0.3                      | 2              | 2348-                              | 2588-   | 2828-    | 3068-     | 4180-            | 6180-   | 7180-    | 8180-     |
| 50            | 0.39              | A              | T215A394J050(2)S             | 0.3                      | 2              | 5073-                              | 5273-   | 5473-    | 5673-     | 4181-            | 6181-   | 7181-    | 8181-     |
| 50            | 0.39              | A              | T215A394K050(2)S             | 0.3                      | 2              | 2349-                              | 2589-   | 2829-    | 3069-     | 4182-            | 6182-   | 7182-    | 8182-     |
| 50            | 0.47              | A              | T215A474J050(2)S             | 0.3                      | 2              | 5074-                              | 5274-   | 5474-    | 5674-     | 4183-            | 6183-   | 7183-    | 8183-     |
| 50            | 0.47              | A              | T215A474K050(2)S             | 0.3                      | 2              | 2350-                              | 2590-   | 2830-    | 3070-     | 4184-            | 6184-   | 7184-    | 8184-     |
| 50            | 0.47              | A              | T215A474M050(2)S             | 0.3                      | 2              | 2351-                              | 2591-   | 2831-    | 3071-     | 4185-            | 6185-   | 7185-    | 8185-     |
| 50            | 0.56              | A              | T215A564J050(2)S             | 0.3                      | 2              | 5075-                              | 5275-   | 5475-    | 5675-     | 4186-            | 6186-   | 7186-    | 8186-     |
| 50            | 0.56              | A              | T215A564K050(2)S             | 0.3                      | 2              | 2352-                              | 2592-   | 2832-    | 3072-     | 4187-            | 6187-   | 7187-    | 8187-     |
| 50            | 0.68              | A              | T215A684J050(2)S             | 0.3                      | 2              | 5076-                              | 5276-   | 5476-    | 5676-     | 4188-            | 6188-   | 7188-    | 8188-     |
| 50            | 0.68              | A              | T215A684K050(2)S             | 0.3                      | 2              | 2353-                              | 2593-   | 2833-    | 3073-     | 4189-            | 6189-   | 7189-    | 8189-     |
| 50            | 0.68              | A              | T215A684M050(2)S             | 0.3                      | 2              | 2354-                              | 2594-   | 2834-    | 3074-     | 4190-            | 6190-   | 7190-    | 8190-     |
| 50            | 0.82              | A              | T215A824J050(2)S             | 0.3                      | 2              | 5077-                              | 5277-   | 5477-    | 5677-     | 4191-            | 6191-   | 7191-    | 8191-     |
| 50            | 0.82              | A              | T215A824K050(2)S             | 0.3                      | 2              | 2355-                              | 2595-   | 2835-    | 3075-     | 4192-            | 6192-   | 7192-    | 8192-     |
| 50            | 1.0               | A              | T215A105J050(2)S             | 0.4                      | 2              | 5078-                              | 5278-   | 5478-    | 5678-     | 4193-            | 6193-   | 7193-    | 8193-     |
| 50            | 1.0               | A              | T215A105K050(2)S             | 0.4                      | 2              | 2356-                              | 2596-   | 2836-    | 3076-     | 4194-            | 6194-   | 7194-    | 8194-     |
| 50            | 1.0               | A              | T215A105M050(2)S             | 0.4                      | 2              | 2357-                              | 2597-   | 2837-    | 3077-     | 4195-            | 6195-   | 7195-    | 8195-     |
| 50            | 1.2               | B              | T215B125J050(2)S             | 0.4                      | 4              | 5079-                              | 5279-   | 5479-    | 5679-     | 4196-            | 6196-   | 7196-    | 8196-     |
| 50            | 1.2               | B              | T215B125K050(2)S             | 0.4                      | 4              | 2358-                              | 2598-   | 2838-    | 3078-     | 4197-            | 6197-   | 7197-    | 8197-     |
| 50            | 1.5               | B              | T215B155J050(2)S             | 0.5                      | 4              | 5080-                              | 5280-   | 5480-    | 5680-     | 4198-            | 6198-   | 7198-    | 8198-     |
| 50            | 1.5               | B              | T215B155K050(2)S             | 0.5                      | 4              | 2359-                              | 2599-   | 2839-    | 3079-     | 4199-            | 6199-   | 7199-    | 8199-     |
| 50            | 1.5               | B              | T215B155M050(2)S             | 0.5                      | 4              | 2360-                              | 2600-   | 2840-    | 3080-     | 4200-            | 6200-   | 7200-    | 8200-     |
| (V) 85°C      | µF                |                | (see below for part options) | µA at 25°C Max/5 Minutes | 120 Hz Maximum | M (1.0)                            | P (0.1) | R (0.01) | S (0.001) | G (1)            | B (0.1) | C (0.01) | D (0.001) |
| Rated Voltage | Rated Capacitance | Case Size Code | KEMET Part Number            | DC Leakage               | DF % at 25°C   | MIL-PRF-39003 (CSR13) Capacitors   |         |          |           |                  |         |          |           |

(2) To complete KEMET part number (T215), insert graded failure rate: G for 1%/k hours, B for 0.1%/k hours, C for 0.01%/k hours, D for 0.001%/k hours or the exponential rate letter. Designates reliability level.

**Table 1 – Ratings & Part Number Reference cont.**

| Rated Voltage | Rated Capacitance | Case Size Code | KEMET Military Part Number   | DC Leakage               | DF % at 25°C   | MIL-PRF-39003 (CSR13) Capacitors   |         |          |           |                  |         |          |           |
|---------------|-------------------|----------------|------------------------------|--------------------------|----------------|------------------------------------|---------|----------|-----------|------------------|---------|----------|-----------|
|               |                   |                |                              |                          |                | Dash Number Reference              |         |          |           |                  |         |          |           |
|               |                   |                |                              |                          |                | Failure Rate Level (%/1,000 hours) |         |          |           |                  |         |          |           |
|               |                   |                |                              |                          |                | MIL-PRF-39003/1K                   |         |          |           | MIL-PRF-39003/1K |         |          |           |
|               |                   |                |                              |                          |                | Exponential                        |         |          |           | Graded           |         |          |           |
| (V) 85°C      | µF                |                | (See below for part options) | µA at 25°C Max/5 Minutes | 120 Hz Maximum | M (1.0)                            | P (0.1) | R (0.01) | S (0.001) | G (1)            | B (0.1) | C (0.01) | D (0.001) |
| 50            | 1.8               | B              | T215B185J050(2)S             | 0.5                      | 4              | 5081-                              | 5281-   | 5481-    | 5681-     | 4201-            | 6201-   | 7201-    | 8201-     |
| 50            | 1.8               | B              | T215B185K050(2)S             | 0.5                      | 4              | 2361-                              | 2601-   | 2841-    | 3081-     | 4202-            | 6202-   | 7202-    | 8202-     |
| 50            | 2.2               | B              | T215B225J050(2)S             | 0.8                      | 4              | 5082-                              | 5282-   | 5482-    | 5682-     | 4203-            | 6203-   | 7203-    | 8203-     |
| 50            | 2.2               | B              | T215B225K050(2)S             | 0.8                      | 4              | 2362-                              | 2602-   | 2842-    | 3082-     | 4204-            | 6204-   | 7204-    | 8204-     |
| 50            | 2.2               | B              | T215B225M050(2)S             | 0.8                      | 4              | 2363-                              | 2603-   | 2843-    | 3083-     | 4205-            | 6205-   | 7205-    | 8205-     |
| 50            | 2.7               | B              | T215B275J050(2)S             | 0.8                      | 4              | 5083-                              | 5283-   | 5483-    | 5683-     | 4206-            | 6206-   | 7206-    | 8206-     |
| 50            | 2.7               | B              | T215B275K050(2)S             | 0.8                      | 4              | 2364-                              | 2604-   | 2844-    | 3084-     | 4207-            | 6207-   | 7207-    | 8207-     |
| 50            | 3.3               | B              | T215B335J050(2)S             | 1.2                      | 4              | 5084-                              | 5284-   | 5484-    | 5684-     | 4208-            | 6208-   | 7208-    | 8208-     |
| 50            | 3.3               | B              | T215B335K050(2)S             | 1.2                      | 4              | 2365-                              | 2605-   | 2845-    | 3085-     | 4209-            | 6209-   | 7209-    | 8209-     |
| 50            | 3.3               | B              | T215B335M050(2)S             | 1.2                      | 4              | 2366-                              | 2606-   | 2846-    | 3086-     | 4210-            | 6210-   | 7210-    | 8210-     |
| 50            | 3.9               | B              | T215B395J050(2)S             | 1.5                      | 4              | 5085-                              | 5285-   | 5485-    | 5685-     | 4211-            | 6211-   | 7211-    | 8211-     |
| 50            | 3.9               | B              | T215B395K050(2)S             | 1.5                      | 4              | 2367-                              | 2607-   | 2847-    | 3087-     | 4212-            | 6212-   | 7212-    | 8212-     |
| 50            | 4.7               | B              | T215B475J050(2)S             | 1.7                      | 4              | 5086-                              | 5286-   | 5486-    | 5686-     | 4213-            | 6213-   | 7213-    | 8213-     |
| 50            | 4.7               | B              | T215B475K050(2)S             | 1.7                      | 4              | 2368-                              | 2608-   | 2848-    | 3088-     | 4214-            | 6214-   | 7214-    | 8214-     |
| 50            | 4.7               | B              | T215B475M050(2)S             | 1.7                      | 4              | 2369-                              | 2609-   | 2849-    | 3089-     | 4215-            | 6215-   | 7215-    | 8215-     |
| 50            | 5.6               | C              | T215C565J050(2)S             | 2.2                      | 4              | 5087-                              | 5287-   | 5487-    | 5687-     | 4216-            | 6216-   | 7216-    | 8216-     |
| 50            | 5.6               | C              | T215C565K050(2)S             | 2.2                      | 4              | 2370-                              | 2610-   | 2850-    | 3090-     | 4217-            | 6217-   | 7217-    | 8217-     |
| 50            | 6.8               | C              | T215C685J050(2)S             | 2.2                      | 4              | 5088-                              | 5288-   | 5488-    | 5688-     | 4218-            | 6218-   | 7218-    | 8218-     |
| 50            | 6.8               | C              | T215C685K050(2)S             | 2.2                      | 4              | 2371-                              | 2611-   | 2851-    | 3091-     | 4219-            | 6219-   | 7219-    | 8219-     |
| 50            | 6.8               | C              | T215C685M050(2)S             | 2.2                      | 4              | 2372-                              | 2612-   | 2852-    | 3092-     | 4220-            | 6220-   | 7220-    | 8220-     |
| 50            | 8.2               | C              | T215C825J050(2)S             | 2.5                      | 4              | 5089-                              | 5289-   | 5489-    | 5689-     | 4221-            | 6221-   | 7221-    | 8221-     |
| 50            | 8.2               | C              | T215C825K050(2)S             | 2.5                      | 4              | 2373-                              | 2613-   | 2853-    | 3093-     | 4222-            | 6222-   | 7222-    | 8222-     |
| 50            | 10.0              | C              | T215C106J050(2)S             | 2.5                      | 4              | 5090-                              | 5290-   | 5490-    | 5690-     | 4223-            | 6223-   | 7223-    | 8223-     |
| 50            | 10.0              | C              | T215C106K050(2)S             | 2.5                      | 4              | 2374-                              | 2614-   | 2854-    | 3094-     | 4224-            | 6224-   | 7224-    | 8224-     |
| 50            | 10.0              | C              | T215C106M050(2)S             | 2.5                      | 4              | 2375-                              | 2615-   | 2855-    | 3095-     | 4225-            | 6225-   | 7225-    | 8225-     |
| 50            | 12.0              | C              | T215C126J050(2)S             | 3.0                      | 4              | 5091-                              | 5291-   | 5491-    | 5691-     | 4226-            | 6226-   | 7226-    | 8226-     |
| 50            | 12.0              | C              | T215C126K050(2)S             | 3.0                      | 4              | 2376-                              | 2616-   | 2856-    | 3096-     | 4227-            | 6227-   | 7227-    | 8227-     |
| 50            | 15.0              | C              | T215C156J050(2)S             | 4.0                      | 4              | 5092-                              | 5292-   | 5492-    | 5692-     | 4228-            | 6228-   | 7228-    | 8228-     |
| 50            | 15.0              | C              | T215C156K050(2)S             | 4.0                      | 4              | 2377-                              | 2617-   | 2857-    | 3097-     | 4229-            | 6229-   | 7229-    | 8229-     |
| 50            | 15.0              | C              | T215C156M050(2)S             | 4.0                      | 4              | 2378-                              | 2618-   | 2858-    | 3098-     | 4230-            | 6230-   | 7230-    | 8230-     |
| 50            | 18.0              | C              | T215C186J050(2)S             | 4.5                      | 4              | 5093-                              | 5293-   | 5493-    | 5693-     | 4231-            | 6231-   | 7231-    | 8231-     |
| 50            | 18.0              | C              | T215C186K050(2)S             | 4.5                      | 4              | 2379-                              | 2619-   | 2859-    | 3099-     | 4232-            | 6232-   | 7232-    | 8232-     |
| 50            | 22.0              | D              | T215D226J050(2)S             | 5.5                      | 4              | 5094-                              | 5294-   | 5494-    | 5694-     | 4233-            | 6233-   | 7233-    | 8233-     |
| 50            | 22.0              | D              | T215D226K050(2)S             | 5.5                      | 4              | 2380-                              | 2620-   | 2860-    | 3100-     | 4234-            | 6234-   | 7234-    | 8234-     |
| 50            | 22.0              | D              | T215D226M050(2)S             | 5.5                      | 4              | 2381-                              | 2621-   | 2861-    | 3101-     | 4235-            | 6235-   | 7235-    | 8235-     |
| 75            | 0.1               | A              | T215A104J075(2)S             | 0.3                      | 2              | 5095-                              | 5295-   | 5495-    | 5695-     | 4236-            | 6236-   | 7236-    | 8236-     |
| 75            | 0.1               | A              | T215A104K075(2)S             | 0.3                      | 2              | 2382-                              | 2622-   | 2862-    | 3102-     | 4237-            | 6237-   | 7237-    | 8237-     |
| 75            | 0.1               | A              | T215A104M075(2)S             | 0.3                      | 2              | 2383-                              | 2623-   | 2863-    | 3103-     | 4238-            | 6238-   | 7238-    | 8238-     |
| 75            | 0.12              | A              | T215A124J075(2)S             | 0.3                      | 2              | 5096-                              | 5296-   | 5496-    | 5696-     | 4239-            | 6239-   | 7239-    | 8239-     |
| 75            | 0.12              | A              | T215A124K075(2)S             | 0.3                      | 2              | 2384-                              | 2624-   | 2864-    | 3104-     | 4240-            | 6240-   | 7240-    | 8240-     |
| 75            | 0.15              | A              | T215A154J075(2)S             | 0.3                      | 2              | 5097-                              | 5297-   | 5497-    | 5697-     | 4241-            | 6241-   | 7241-    | 8241-     |
| 75            | 0.15              | A              | T215A154K075(2)S             | 0.3                      | 2              | 2385-                              | 2625-   | 2865-    | 3105-     | 4242-            | 6242-   | 7242-    | 8242-     |
| 75            | 0.15              | A              | T215A154M075(2)S             | 0.3                      | 2              | 2386-                              | 2626-   | 2866-    | 3106-     | 4243-            | 6243-   | 7243-    | 8243-     |
| 75            | 0.18              | A              | T215A184J075(2)S             | 0.3                      | 2              | 5098-                              | 5298-   | 5498-    | 5698-     | 4244-            | 6244-   | 7244-    | 8244-     |
| 75            | 0.18              | A              | T215A184K075(2)S             | 0.3                      | 2              | 2387-                              | 2627-   | 2867-    | 3107-     | 4245-            | 6245-   | 7245-    | 8245-     |
| 75            | 0.22              | A              | T215A224J075(2)S             | 0.3                      | 2              | 5099-                              | 5299-   | 5499-    | 5699-     | 4246-            | 6246-   | 7246-    | 8246-     |
| 75            | 0.22              | A              | T215A224K075(2)S             | 0.3                      | 2              | 2388-                              | 2628-   | 2868-    | 3108-     | 4247-            | 6247-   | 7247-    | 8247-     |
| 75            | 0.22              | A              | T215A224M075(2)S             | 0.3                      | 2              | 2389-                              | 2629-   | 2869-    | 3109-     | 4248-            | 6248-   | 7248-    | 8248-     |
| 75            | 0.27              | A              | T215A274J075(2)S             | 0.3                      | 2              | 5100-                              | 5300-   | 5500-    | 5700-     | 4249-            | 6249-   | 7249-    | 8249-     |
| 75            | 0.27              | A              | T215A274K075(2)S             | 0.3                      | 2              | 2390-                              | 2630-   | 2870-    | 3110-     | 4250-            | 6250-   | 7250-    | 8250-     |
| (V) 85°C      | µF                | Case Size Code | (see below for part options) | µA at 25°C Max/5 Minutes | 120 Hz Maximum | M (1.0)                            | P (0.1) | R (0.01) | S (0.001) | G (1)            | B (0.1) | C (0.01) | D (0.001) |
| Rated Voltage | Rated Capacitance | Case Size Code | KEMET Part Number            | DC Leakage               | DF % at 25°C   | MIL-PRF-39003 (CSR13) Capacitors   |         |          |           |                  |         |          |           |

(2) To complete KEMET part number (T215), insert graded failure rate: G for 1%/k hours, B for 0.1%/k hours, C for 0.01%/k hours, D for 0.001%/k hours or the exponential rate letter. Designates reliability level.



**Table 1 – Ratings & Part Number Reference cont.**

| Rated Voltage | Rated Capacitance | Case Size Code | KEMET Military Part Number   | DC Leakage               | DF % at 25°C   | MIL-PRF-39003 (CSR13) Capacitors   |         |          |           |                  |         |          |           |
|---------------|-------------------|----------------|------------------------------|--------------------------|----------------|------------------------------------|---------|----------|-----------|------------------|---------|----------|-----------|
|               |                   |                |                              |                          |                | Dash Number Reference              |         |          |           |                  |         |          |           |
|               |                   |                |                              |                          |                | Failure Rate Level (%/1,000 hours) |         |          |           |                  |         |          |           |
|               |                   |                |                              |                          |                | MIL-PRF-39003/1K                   |         |          |           | MIL-PRF-39003/1K |         |          |           |
|               |                   |                |                              |                          |                | Exponential                        |         |          |           | Graded           |         |          |           |
| (V) 85°C      | µF                |                | (See below for part options) | µA at 25°C Max/5 Minutes | 120 Hz Maximum | M (1.0)                            | P (0.1) | R (0.01) | S (0.001) | G (1)            | B (0.1) | C (0.01) | D (0.001) |
| 75            | 0.33              | A              | T215A334J075(2)S             | 0.3                      | 2              | 5101-                              | 5301-   | 5501-    | 5701-     | 4251-            | 6251-   | 7251-    | 8251-     |
| 75            | 0.33              | A              | T215A334K075(2)S             | 0.3                      | 2              | 2391-                              | 2631-   | 2871-    | 3111-     | 4252-            | 6252-   | 7252-    | 8252-     |
| 75            | 0.33              | A              | T215A334M075(2)S             | 0.3                      | 2              | 2392-                              | 2632-   | 2872-    | 3112-     | 4253-            | 6253-   | 7253-    | 8253-     |
| 75            | 0.39              | A              | T215A394J075(2)S             | 0.3                      | 2              | 5102-                              | 5302-   | 5502-    | 5702-     | 4254-            | 6254-   | 7254-    | 8254-     |
| 75            | 0.39              | A              | T215A394K075(2)S             | 0.3                      | 2              | 2393-                              | 2633-   | 2873-    | 3113-     | 4255-            | 6255-   | 7255-    | 8255-     |
| 75            | 0.47              | A              | T215A474J075(2)S             | 0.3                      | 2              | 5103-                              | 5303-   | 5503-    | 5703-     | 4256-            | 6256-   | 7256-    | 8256-     |
| 75            | 0.47              | A              | T215A474K075(2)S             | 0.3                      | 2              | 2394-                              | 2634-   | 2874-    | 3114-     | 4257-            | 6257-   | 7257-    | 8257-     |
| 75            | 0.47              | A              | T215A474M075(2)S             | 0.3                      | 2              | 2395-                              | 2635-   | 2875-    | 3115-     | 4258-            | 6258-   | 7258-    | 8258-     |
| 75            | 0.56              | A              | T215A564J075(2)S             | 0.3                      | 2              | 5104-                              | 5304-   | 5504-    | 5704-     | 4259-            | 6259-   | 7259-    | 8259-     |
| 75            | 0.56              | A              | T215A564K075(2)S             | 0.3                      | 2              | 2396-                              | 2636-   | 2876-    | 3116-     | 4260-            | 6260-   | 7260-    | 8260-     |
| 75            | 0.68              | A              | T215A684J075(2)S             | 0.3                      | 2              | 5105-                              | 5305-   | 5505-    | 5705-     | 4261-            | 6261-   | 7261-    | 8261-     |
| 75            | 0.68              | A              | T215A684K075(2)S             | 0.3                      | 2              | 2397-                              | 2637-   | 2877-    | 3117-     | 4262-            | 6262-   | 7262-    | 8262-     |
| 75            | 0.68              | A              | T215A684M075(2)S             | 0.3                      | 2              | 2398-                              | 2638-   | 2878-    | 3118-     | 4263-            | 6263-   | 7263-    | 8263-     |
| 75            | 0.82              | B              | T215B824J075(2)S             | 0.3                      | 2              | 5106-                              | 5306-   | 5506-    | 5706-     | 4264-            | 6264-   | 7264-    | 8264-     |
| 75            | 0.82              | B              | T215B824K075(2)S             | 0.3                      | 2              | 2399-                              | 2639-   | 2879-    | 3119-     | 4265-            | 6265-   | 7265-    | 8265-     |
| 75            | 1.0               | B              | T215B105J075(2)S             | 0.3                      | 2              | 5107-                              | 5307-   | 5507-    | 5707-     | 4266-            | 6266-   | 7266-    | 8266-     |
| 75            | 1.0               | B              | T215B105K075(2)S             | 0.3                      | 2              | 2400-                              | 2640-   | 2880-    | 3120-     | 4267-            | 6267-   | 7267-    | 8267-     |
| 75            | 1.0               | B              | T215B105M075(2)S             | 0.3                      | 2              | 2401-                              | 2641-   | 2881-    | 3121-     | 4268-            | 6268-   | 7268-    | 8268-     |
| 75            | 1.2               | B              | T215B125J075(2)S             | 0.3                      | 4              | 5108-                              | 5308-   | 5508-    | 5708-     | 4269-            | 6269-   | 7269-    | 8269-     |
| 75            | 1.2               | B              | T215B125K075(2)S             | 0.3                      | 4              | 2402-                              | 2642-   | 2882-    | 3122-     | 4270-            | 6270-   | 7270-    | 8270-     |
| 75            | 1.5               | B              | T215B155J075(2)S             | 0.6                      | 4              | 5109-                              | 5309-   | 5509-    | 5709-     | 4271-            | 6271-   | 7271-    | 8271-     |
| 75            | 1.5               | B              | T215B155K075(2)S             | 0.6                      | 4              | 2403-                              | 2643-   | 2883-    | 3123-     | 4272-            | 6272-   | 7272-    | 8272-     |
| 75            | 1.5               | B              | T215B155M075(2)S             | 0.6                      | 4              | 2404-                              | 2644-   | 2884-    | 3124-     | 4273-            | 6273-   | 7273-    | 8273-     |
| 75            | 1.8               | B              | T215B185J075(2)S             | 0.7                      | 4              | 5110-                              | 5310-   | 5510-    | 5710-     | 4274-            | 6274-   | 7274-    | 8274-     |
| 75            | 1.8               | B              | T215B185K075(2)S             | 0.7                      | 4              | 2405-                              | 2645-   | 2885-    | 3125-     | 4275-            | 6275-   | 7275-    | 8275-     |
| 75            | 2.2               | B              | T215B225J075(2)S             | 0.8                      | 4              | 5111-                              | 5311-   | 5511-    | 5711-     | 4276-            | 6276-   | 7276-    | 8276-     |
| 75            | 2.2               | B              | T215B225K075(2)S             | 0.8                      | 4              | 2406-                              | 2646-   | 2886-    | 3126-     | 4277-            | 6277-   | 7277-    | 8277-     |
| 75            | 2.2               | B              | T215B225M075(2)S             | 0.8                      | 4              | 2407-                              | 2647-   | 2887-    | 3127-     | 4278-            | 6278-   | 7278-    | 8278-     |
| 75            | 2.7               | B              | T215B275J075(2)S             | 1.0                      | 4              | 5112-                              | 5312-   | 5512-    | 5712-     | 4279-            | 6279-   | 7279-    | 8279-     |
| 75            | 2.7               | B              | T215B275K075(2)S             | 1.0                      | 4              | 2408-                              | 2648-   | 2888-    | 3128-     | 4280-            | 6280-   | 7280-    | 8280-     |
| 75            | 3.3               | B              | T215B335J075(2)S             | 1.2                      | 4              | 5113-                              | 5313-   | 5513-    | 5713-     | 4281-            | 6281-   | 7281-    | 8281-     |
| 75            | 3.3               | B              | T215B335K075(2)S             | 1.2                      | 4              | 2409-                              | 2649-   | 2889-    | 3129-     | 4282-            | 6282-   | 7282-    | 8282-     |
| 75            | 3.3               | B              | T215B335M075(2)S             | 1.2                      | 4              | 2410-                              | 2650-   | 2890-    | 3130-     | 4283-            | 6283-   | 7283-    | 8283-     |
| 75            | 3.9               | B              | T215B395J075(2)S             | 1.5                      | 4              | 5114-                              | 5314-   | 5514-    | 5714-     | 4284-            | 6284-   | 7284-    | 8284-     |
| 75            | 3.9               | B              | T215B395K075(2)S             | 1.5                      | 4              | 2411-                              | 2651-   | 2891-    | 3131-     | 4285-            | 6285-   | 7285-    | 8285-     |
| 75            | 4.7               | C              | T215C475J075(2)S             | 3.0                      | 4              | 5115-                              | 5315-   | 5515-    | 5715-     | 4286-            | 6286-   | 7286-    | 8286-     |
| 75            | 4.7               | C              | T215C475K075(2)S             | 3.0                      | 4              | 2412-                              | 2652-   | 2892-    | 3132-     | 4287-            | 6287-   | 7287-    | 8287-     |
| 75            | 4.7               | C              | T215C475M075(2)S             | 3.0                      | 4              | 2413-                              | 2653-   | 2893-    | 3133-     | 4288-            | 6288-   | 7288-    | 8288-     |
| 75            | 5.6               | C              | T215C565J075(2)S             | 3.0                      | 4              | 5116-                              | 5316-   | 5516-    | 5716-     | 4289-            | 6289-   | 7289-    | 8289-     |
| 75            | 5.6               | C              | T215C565K075(2)S             | 3.0                      | 4              | 2414-                              | 2654-   | 2894-    | 3134-     | 4290-            | 6290-   | 7290-    | 8290-     |
| 75            | 6.8               | C              | T215C685J075(2)S             | 5.0                      | 4              | 5117-                              | 5317-   | 5517-    | 5717-     | 4291-            | 6291-   | 7291-    | 8291-     |
| 75            | 6.8               | C              | T215C685K075(2)S             | 5.0                      | 4              | 2415-                              | 2655-   | 2895-    | 3135-     | 4292-            | 6292-   | 7292-    | 8292-     |
| 75            | 6.8               | C              | T215C685M075(2)S             | 5.0                      | 4              | 2416-                              | 2656-   | 2896-    | 3136-     | 4293-            | 6293-   | 7293-    | 8293-     |
| 75            | 8.2               | C              | T215C825J075(2)S             | 5.0                      | 4              | 5118-                              | 5318-   | 5518-    | 5718-     | 4294-            | 6294-   | 7294-    | 8294-     |
| 75            | 8.2               | C              | T215C825K075(2)S             | 5.0                      | 4              | 2417-                              | 2657-   | 2897-    | 3137-     | 4295-            | 6295-   | 7295-    | 8295-     |
| 75            | 10.0              | C              | T215C106J075(2)S             | 5.0                      | 4              | 5119-                              | 5319-   | 5519-    | 5719-     | 4296-            | 6296-   | 7296-    | 8296-     |
| 75            | 10.0              | C              | T215C106K075(2)S             | 5.0                      | 4              | 2418-                              | 2658-   | 2898-    | 3138-     | 4297-            | 6297-   | 7297-    | 8297-     |
| 75            | 10.0              | C              | T215C106M075(2)S             | 5.0                      | 4              | 2419-                              | 2659-   | 2899-    | 3139-     | 4298-            | 6298-   | 7298-    | 8298-     |
| 75            | 12.0              | D              | T215D126J075(2)S             | 5.0                      | 4              | 5120-                              | 5320-   | 5520-    | 5720-     | 4299-            | 6299-   | 7299-    | 8299-     |
| 75            | 12.0              | D              | T215D126K07(2)S              | 5.0                      | 4              | 2420-                              | 2660-   | 2900-    | 3140-     | 4300-            | 6300-   | 7300-    | 8300-     |
| (V) 85°C      | µF                | Case Size Code | (see below for part options) | µA at 25°C Max/5 Minutes | 120 Hz Maximum | M (1.0)                            | P (0.1) | R (0.01) | S (0.001) | G (1)            | B (0.1) | C (0.01) | D (0.001) |
| Rated Voltage | Rated Capacitance | Case Size Code | KEMET Part Number            | DC Leakage               | DF % at 25°C   | MIL-PRF-39003 (CSR13) Capacitors   |         |          |           |                  |         |          |           |

(2) To complete KEMET part number (T215), insert graded failure rate: G for 1%/k hours, B for 0.1%/k hours, C for 0.01%/k hours, D for 0.001%/k hours or the exponential rate letter. Designates reliability level.

**Table 1 – Ratings & Part Number Reference cont.**

| Rated Voltage | Rated Capacitance | Case Size Code | KEMET Military Part Number   | DC Leakage               | DF % at 25°C   | MIL-PRF-39003 (CSR13) Capacitors   |         |          |           |                  |         |          |           |
|---------------|-------------------|----------------|------------------------------|--------------------------|----------------|------------------------------------|---------|----------|-----------|------------------|---------|----------|-----------|
|               |                   |                |                              |                          |                | Dash Number Reference              |         |          |           |                  |         |          |           |
|               |                   |                |                              |                          |                | Failure Rate Level (%/1,000 hours) |         |          |           |                  |         |          |           |
|               |                   |                |                              |                          |                | MIL-PRF-39003/1K                   |         |          |           | MIL-PRF-39003/1K |         |          |           |
|               |                   |                |                              |                          |                | Exponential                        |         |          |           | Graded           |         |          |           |
| (V) 85°C      | µF                |                | (See below for part options) | µA at 25°C Max/5 Minutes | 120 Hz Maximum | M (1.0)                            | P (0.1) | R (0.01) | S (0.001) | G (1)            | B (0.1) | C (0.01) | D (0.001) |
| 75            | 15.0              | D              | T215D156J075(2)S             | 7.0                      | 4              | 5121-                              | 5321-   | 5521-    | 5721-     | 4301-            | 6301-   | 7301-    | 8301-     |
| 75            | 15.0              | D              | T215D156K075(2)S             | 7.0                      | 4              | 2421-                              | 2661-   | 2901-    | 3141-     | 4302-            | 6302-   | 7302-    | 8302-     |
| 75            | 15.0              | D              | T215D156M075(2)S             | 7.0                      | 4              | 2422-                              | 2662-   | 2902-    | 3142-     | 4303-            | 6303-   | 7303-    | 8303-     |
| 100           | 0.0047            | A              | T215A472J100(2)S             | 0.3                      | 2              | 5122-                              | 5322-   | 5522-    | 5722-     | 4304-            | 6304-   | 7304-    | *         |
| 100           | 0.0047            | A              | T215A472K100(2)S             | 0.3                      | 2              | 2423-                              | 2663-   | 2903-    | 3143-     | 4305-            | 6305-   | 7305-    | *         |
| 100           | 0.0047            | A              | T215A472M100(2)S             | 0.3                      | 2              | 2424-                              | 2664-   | 2904-    | 3144-     | 4306-            | 6306-   | 7306-    | *         |
| 100           | 0.0056            | A              | T215A562J100(2)S             | 0.3                      | 2              | 5123-                              | 5323-   | 5523-    | 5723-     | 4307-            | 6307-   | 7307-    | *         |
| 100           | 0.01              | A              | T215A562K100(2)S             | 0.3                      | 2              | 2425-                              | 2665-   | 2905-    | 3145-     | 4308-            | 6308-   | 7308-    | *         |
| 100           | 0.0068            | A              | T215A682J100(2)S             | 0.3                      | 2              | 5124-                              | 5324-   | 5524-    | 5724-     | 4309-            | 6309-   | 7309-    | *         |
| 100           | 0.0068            | A              | T215A682K100(2)S             | 0.3                      | 2              | 2426-                              | 2666-   | 2906-    | 3146-     | 4310-            | 6310-   | 7310-    | *         |
| 100           | 0.0068            | A              | T215A682M100(2)S             | 0.3                      | 2              | 2427-                              | 2667-   | 2907-    | 3147-     | 4311-            | 6311-   | 7311-    | *         |
| 100           | 0.0082            | A              | T215A822J100(2)S             | 0.3                      | 2              | 5125-                              | 5325-   | 5525-    | 5725-     | 4312-            | 6312-   | 7312-    | *         |
| 100           | 0.0082            | A              | T215A822K100(2)S             | 0.3                      | 2              | 2428-                              | 2668-   | 2908-    | 3148-     | 4313-            | 6313-   | 7313-    | *         |
| 100           | 0.01              | A              | T215A103J100(2)S             | 0.3                      | 2              | 5126-                              | 5326-   | 5526-    | 5726-     | 4314-            | 6314-   | 7314-    | *         |
| 100           | 0.01              | A              | T215A103K100(2)S             | 0.3                      | 2              | 2429-                              | 2669-   | 2909-    | 3149-     | 4315-            | 6315-   | 7315-    | *         |
| 100           | 0.01              | A              | T215A103M100(2)S             | 0.3                      | 2              | 2430-                              | 2670-   | 2910-    | 3150-     | 4316-            | 6316-   | 7316-    | *         |
| 100           | 0.012             | A              | T215A123J100(2)S             | 0.3                      | 2              | 5127-                              | 5327-   | 5527-    | 5727-     | 4317-            | 6317-   | 7317-    | *         |
| 100           | 0.012             | A              | T215A123K100(2)S             | 0.3                      | 2              | 2431-                              | 2671-   | 2911-    | 3151-     | 4318-            | 6318-   | 7318-    | *         |
| 100           | 0.015             | A              | T215A153J100(2)S             | 0.3                      | 2              | 5128-                              | 5328-   | 5528-    | 5728-     | 4319-            | 6319-   | 7319-    | *         |
| 100           | 0.015             | A              | T215A153K100(2)S             | 0.3                      | 2              | 2432-                              | 2672-   | 2912-    | 3152-     | 4320-            | 6320-   | 7320-    | *         |
| 100           | 0.015             | A              | T215A153M100(2)S             | 0.3                      | 2              | 2433-                              | 2673-   | 2913-    | 3153-     | 4321-            | 6321-   | 7321-    | *         |
| 100           | 0.018             | A              | T215A183J100(2)S             | 0.3                      | 2              | 5129-                              | 5329-   | 5529-    | 5729-     | 4322-            | 6322-   | 7322-    | *         |
| 100           | 0.018             | A              | T215A183K100(2)S             | 0.3                      | 2              | 2434-                              | 2674-   | 2914-    | 3154-     | 4323-            | 6323-   | 7323-    | *         |
| 100           | 0.022             | A              | T215A223J100(2)S             | 0.3                      | 2              | 5130-                              | 5330-   | 5530-    | 5730-     | 4324-            | 6324-   | 7324-    | *         |
| 100           | 0.022             | A              | T215A223K100(2)S             | 0.3                      | 2              | 2435-                              | 2675-   | 2915-    | 3155-     | 4325-            | 6325-   | 7325-    | *         |
| 100           | 0.022             | A              | T215A223M100(2)S             | 0.3                      | 2              | 2436-                              | 2676-   | 2916-    | 3156-     | 4326-            | 6326-   | 7326-    | *         |
| 100           | 0.027             | A              | T215A273J100(2)S             | 0.3                      | 2              | 5131-                              | 5331-   | 5531-    | 5731-     | 4327-            | 6327-   | 7327-    | *         |
| 100           | 0.027             | A              | T215A273K100(2)S             | 0.3                      | 2              | 2437-                              | 2677-   | 2917-    | 3157-     | 4328-            | 6328-   | 7328-    | *         |
| 100           | 0.033             | A              | T215A333J100(2)S             | 0.3                      | 2              | 5132-                              | 5332-   | 5532-    | 5732-     | 4329-            | 6329-   | 7329-    | *         |
| 100           | 0.033             | A              | T215A333K100(2)S             | 0.3                      | 2              | 2438-                              | 2678-   | 2918-    | 3158-     | 4330-            | 6330-   | 7330-    | *         |
| 100           | 0.033             | A              | T215A333M100(2)S             | 0.3                      | 2              | 2439-                              | 2679-   | 2919-    | 3159-     | 4331-            | 6331-   | 7331-    | *         |
| 100           | 0.039             | A              | T215A393J100(2)S             | 0.3                      | 2              | 5133-                              | 5333-   | 5533-    | 5733-     | 4332-            | 6332-   | 7332-    | *         |
| 100           | 0.039             | A              | T215A393K100(2)S             | 0.3                      | 2              | 2440-                              | 2680-   | 2920-    | 3160-     | 4333-            | 6333-   | 7333-    | *         |
| 100           | 0.047             | A              | T215A473J100(2)S             | 0.3                      | 2              | 5134-                              | 5334-   | 5534-    | 5734-     | 4334-            | 6334-   | 7334-    | *         |
| 100           | 0.047             | A              | T215A473K100(2)S             | 0.3                      | 2              | 2441-                              | 2681-   | 2921-    | 3161-     | 4335-            | 6335-   | 7335-    | *         |
| 100           | 0.047             | A              | T215A473M100(2)S             | 0.3                      | 2              | 2442-                              | 2682-   | 2922-    | 3162-     | 4336-            | 6336-   | 7336-    | *         |
| 100           | 0.056             | A              | T215A563J100(2)S             | 0.3                      | 2              | 5135-                              | 5335-   | 5535-    | 5735-     | 4337-            | 6337-   | 7337-    | *         |
| 100           | 0.056             | A              | T215A563K100(2)S             | 0.3                      | 2              | 2443-                              | 2683-   | 2923-    | 3163-     | 4338-            | 6338-   | 7338-    | *         |
| 100           | 0.068             | A              | T215A683J100(2)S             | 0.3                      | 2              | 5136-                              | 5336-   | 5536-    | 5736-     | 4339-            | 6339-   | 7339-    | *         |
| 100           | 0.068             | A              | T215A683K100(2)S             | 0.3                      | 2              | 2444-                              | 2684-   | 2924-    | 3164-     | 4340-            | 6340-   | 7340-    | *         |
| 100           | 0.068             | A              | T215A683M100(2)S             | 0.3                      | 2              | 2445-                              | 2685-   | 2925-    | 3165-     | 4341-            | 6341-   | 7341-    | *         |
| 100           | 0.082             | A              | T215A823J100(2)S             | 0.3                      | 2              | 5137-                              | 5337-   | 5537-    | 5737-     | 4342-            | 6342-   | 7342-    | *         |
| 100           | 0.082             | A              | T215A823K100(2)S             | 0.3                      | 2              | 2446-                              | 2686-   | 2926-    | 3166-     | 4343-            | 6343-   | 7343-    | *         |
| 100           | 0.1               | A              | T215A104J100(2)S             | 0.3                      | 2              | 5138-                              | 5338-   | 5538-    | 5738-     | 4344-            | 6344-   | 7344-    | *         |
| 100           | 0.1               | A              | T215A104K100(2)S             | 0.3                      | 2              | 2447-                              | 2687-   | 2927-    | 3167-     | 4345-            | 6345-   | 7345-    | *         |
| 100           | 0.1               | A              | T215A104M100(2)S             | 0.3                      | 2              | 2448-                              | 2688-   | 2928-    | 3168-     | 4346-            | 6346-   | 7346-    | *         |
| 100           | 0.12              | A              | T215A124J100(2)S             | 0.3                      | 2              | 5139-                              | 5339-   | 5539-    | 5739-     | 4347-            | 6347-   | 7347-    | *         |
| 100           | 0.12              | A              | T215A124K100(2)S             | 0.3                      | 2              | 2449-                              | 2689-   | 2929-    | 3169-     | 4348-            | 6348-   | 7348-    | *         |
| 100           | 0.15              | A              | T215A154J100(2)S             | 0.3                      | 2              | 5140-                              | 5340-   | 5540-    | 5740-     | 4349-            | 6349-   | 7349-    | *         |
| 100           | 0.15              | A              | T215A154K100(2)S             | 0.3                      | 2              | 2450-                              | 2690-   | 2930-    | 3170-     | 4350-            | 6350-   | 7350-    | *         |
| (V) 85°C      | µF                | Case Size Code | (see below for part options) | µA at 25°C Max/5 Minutes | 120 Hz Maximum | M (1.0)                            | P (0.1) | R (0.01) | S (0.001) | G (1)            | B (0.1) | C (0.01) | D (0.001) |
| Rated Voltage | Rated Capacitance | Case Size Code | KEMET Part Number            | DC Leakage               | DF % at 25°C   | MIL-PRF-39003 (CSR13) Capacitors   |         |          |           |                  |         |          |           |

(2) To complete KEMET part number (T215), insert graded failure rate: G for 1%/k hours, B for 0.1%/k hours, C for 0.01%/k hours, D for 0.001%/k hours or the exponential rate letter. Designates reliability level.

**Table 1 – Ratings & Part Number Reference cont.**

| Rated Voltage | Rated Capacitance | Case Size Code | KEMET Military Part Number   | DC Leakage               | DF % at 25°C   | MIL-PRF-39003 (CSR13) Capacitors   |         |          |           |                  |         |          |           |
|---------------|-------------------|----------------|------------------------------|--------------------------|----------------|------------------------------------|---------|----------|-----------|------------------|---------|----------|-----------|
|               |                   |                |                              |                          |                | Dash Number Reference              |         |          |           |                  |         |          |           |
|               |                   |                |                              |                          |                | Failure Rate Level (%/1,000 hours) |         |          |           |                  |         |          |           |
|               |                   |                |                              |                          |                | MIL-PRF-39003/1K                   |         |          |           | MIL-PRF-39003/1K |         |          |           |
|               |                   |                |                              |                          |                | Exponential                        |         |          |           | Graded           |         |          |           |
| (V) 85°C      | µF                |                | (See below for part options) | µA at 25°C Max/5 Minutes | 120 Hz Maximum | M (1.0)                            | P (0.1) | R (0.01) | S (0.001) | G (1)            | B (0.1) | C (0.01) | D (0.001) |
| 100           | 0.15              | A              | T215A154M100(2)S             | 0.3                      | 2              | 2451-                              | 2691-   | 2931-    | 3171-     | 4351-            | 6351-   | 7351-    | *         |
| 100           | 0.18              | A              | T215A184J100(2)S             | 0.3                      | 2              | 5141-                              | 5341-   | 5541-    | 5741-     | 4352-            | 6352-   | 7352-    | *         |
| 100           | 0.18              | A              | T215A184K100(2)S             | 0.3                      | 2              | 2452-                              | 2692-   | 2932-    | 3172-     | 4353-            | 6353-   | 7353-    | *         |
| 100           | 0.22              | A              | T215A224J100(2)S             | 0.3                      | 2              | 5142-                              | 5342-   | 5542-    | 5742-     | 4354-            | 6354-   | 7354-    | *         |
| 100           | 0.22              | A              | T215A224K100(2)S             | 0.3                      | 2              | 2453-                              | 2693-   | 2933-    | 3173-     | 4355-            | 6355-   | 7355-    | *         |
| 100           | 0.22              | A              | T215A224M100(2)S             | 0.3                      | 2              | 2454-                              | 2694-   | 2934-    | 3174-     | 4356-            | 6356-   | 7356-    | *         |
| 100           | 0.27              | A              | T215A274J100(2)S             | 0.3                      | 2              | 5143-                              | 5343-   | 5543-    | 5743-     | 4357-            | 6357-   | 7357-    | *         |
| 100           | 0.27              | A              | T215A274K100(2)S             | 0.3                      | 2              | 2455-                              | 2695-   | 2935-    | 3175-     | 4358-            | 6358-   | 7358-    | *         |
| 100           | 0.33              | A              | T215A334J100(2)S             | 0.3                      | 2              | 5144-                              | 5344-   | 5544-    | 5744-     | 4359-            | 6359-   | 7359-    | *         |
| 100           | 0.33              | A              | T215A334K100(2)S             | 0.3                      | 2              | 2456-                              | 2696-   | 2936-    | 3176-     | 4360-            | 6360-   | 7360-    | *         |
| 100           | 0.33              | A              | T215A334M100(2)S             | 0.3                      | 2              | 2457-                              | 2697-   | 2937-    | 3177-     | 4361-            | 6361-   | 7361-    | *         |
| 100           | 0.39              | A              | T215A394J100(2)S             | 0.3                      | 2              | 5145-                              | 5345-   | 5545-    | 5745-     | 4362-            | 6362-   | 7362-    | *         |
| 100           | 0.39              | A              | T215A394K100(2)S             | 0.3                      | 2              | 2458-                              | 2698-   | 2938-    | 3178-     | 4363-            | 6363-   | 7363-    | *         |
| 100           | 0.47              | A              | T215A474J100(2)S             | 0.3                      | 2              | 5146-                              | 5346-   | 5546-    | 5746-     | 4364-            | 6364-   | 7364-    | *         |
| 100           | 0.47              | A              | T215A474K100(2)S             | 0.3                      | 2              | 2459-                              | 2699-   | 2939-    | 3179-     | 4365-            | 6365-   | 7365-    | *         |
| 100           | 0.47              | A              | T215A474M100(2)S             | 0.3                      | 2              | 2460-                              | 2700-   | 2940-    | 3180-     | 4366-            | 6366-   | 7366-    | *         |
| 100           | 0.56              | A              | T215A564J100(2)S             | 0.3                      | 2              | 5147-                              | 5347-   | 5547-    | 5747-     | 4367-            | 6367-   | 7367-    | *         |
| 100           | 0.56              | A              | T215A564K100(2)S             | 0.3                      | 2              | 2461-                              | 2701-   | 2941-    | 3181-     | 4368-            | 6368-   | 7368-    | *         |
| 100           | 0.68              | B              | T215B684J100(2)S             | 0.3                      | 2              | 5148-                              | 5348-   | 5548-    | 5748-     | 4369-            | 6369-   | 7369-    | *         |
| 100           | 0.68              | B              | T215B684K100(2)S             | 0.3                      | 2              | 2462-                              | 2702-   | 2942-    | 3182-     | 4370-            | 6370-   | 7370-    | *         |
| 100           | 0.68              | B              | T215B684M100(2)S             | 0.3                      | 2              | 2463-                              | 2703-   | 2943-    | 3183-     | 4371-            | 6371-   | 7371-    | *         |
| 100           | 0.82              | B              | T215B824J100(2)S             | 0.4                      | 2              | 5149-                              | 5349-   | 5549-    | 5749-     | 4372-            | 6372-   | 7372-    | *         |
| 100           | 0.82              | B              | T215B824K100(2)S             | 0.4                      | 2              | 2464-                              | 2704-   | 2944-    | 3184-     | 4373-            | 6373-   | 7373-    | *         |
| 100           | 1.0               | B              | T215B105J100(2)S             | 0.5                      | 2              | 5150-                              | 5350-   | 5550-    | 5750-     | 4374-            | 6374-   | 7374-    | *         |
| 100           | 1.0               | B              | T215B105K100(2)S             | 0.5                      | 2              | 2465-                              | 2705-   | 2945-    | 3185-     | 4375-            | 6375-   | 7375-    | *         |
| 100           | 1.0               | B              | T215B105M100(2)S             | 0.5                      | 2              | 2466-                              | 2706-   | 2946-    | 3186-     | 4376-            | 6376-   | 7376-    | *         |
| 100           | 1.2               | B              | T215B125J100(2)S             | 0.5                      | 3              | 5151-                              | 5351-   | 5551-    | 5751-     | 4377-            | 6377-   | 7377-    | *         |
| 100           | 1.2               | B              | T215B125K100(2)S             | 0.5                      | 3              | 2467-                              | 2707-   | 2947-    | 3187-     | 4378-            | 6378-   | 7378-    | *         |
| 100           | 1.5               | B              | T215B155J100(2)S             | 0.7                      | 3              | 5152-                              | 5352-   | 5552-    | 5752-     | 4379-            | 6379-   | 7379-    | *         |
| 100           | 1.5               | B              | T215B155K100(2)S             | 0.7                      | 3              | 2468-                              | 2708-   | 2948-    | 3188-     | 4380-            | 6380-   | 7380-    | *         |
| 100           | 1.5               | B              | T215B155M100(2)S             | 0.7                      | 3              | 2469-                              | 2709-   | 2949-    | 3189-     | 4381-            | 6381-   | 7381-    | *         |
| 100           | 1.8               | B              | T215B185J100(2)S             | 0.7                      | 3              | 5153-                              | 5353-   | 5553-    | 5753-     | 4382-            | 6382-   | 7382-    | *         |
| 100           | 1.8               | B              | T215B185K100(2)S             | 0.7                      | 3              | 2470-                              | 2710-   | 2950-    | 3190-     | 4383-            | 6383-   | 7383-    | *         |
| 100           | 2.2               | B              | T215B225J100(2)S             | 0.9                      | 3              | 5154-                              | 5354-   | 5554-    | 5754-     | 4384-            | 6384-   | 7384-    | *         |
| 100           | 2.2               | B              | T215B225K100(2)S             | 0.9                      | 3              | 2471-                              | 2711-   | 2951-    | 3191-     | 4385-            | 6385-   | 7385-    | *         |
| 100           | 2.2               | B              | T215B225M100(2)S             | 0.9                      | 3              | 2472-                              | 2712-   | 2952-    | 3192-     | 4386-            | 6386-   | 7386-    | *         |
| 100           | 2.7               | B              | T215B275J100(2)S             | 1.1                      | 3              | 5155-                              | 5355-   | 5555-    | 5755-     | 4387-            | 6387-   | 7387-    | *         |
| 100           | 2.7               | B              | T215B275K100(2)S             | 1.1                      | 3              | 2473-                              | 2713-   | 2953-    | 3193-     | 4388-            | 6388-   | 7388-    | *         |
| 100           | 3.3               | C              | T215C335J100(2)S             | 1.5                      | 3              | 5156-                              | 5356-   | 5556-    | 5756-     | 4389-            | 6389-   | *        | *         |
| 100           | 3.3               | C              | T215C335K100(2)S             | 1.5                      | 3              | 5157-                              | 5357-   | 5557-    | 5757-     | 4390-            | 6390-   | *        | *         |
| 100           | 3.3               | C              | T215C335M100(2)S             | 1.5                      | 3              | 5158-                              | 5358-   | 5558-    | 5758-     | 4391-            | 6391-   | *        | *         |
| 100           | 3.9               | C              | T215C395J100(2)S             | 1.5                      | 3              | 5159-                              | 5359-   | 5559-    | 5759-     | 4392-            | 6392-   | *        | *         |
| 100           | 3.9               | C              | T215C395K100(2)S             | 1.5                      | 3              | 5160-                              | 5360-   | 5560-    | 5760-     | 4393-            | 6393-   | *        | *         |
| 100           | 4.7               | C              | T215C475J100(2)S             | 2.5                      | 3              | 5161-                              | 5361-   | 5561-    | 5761-     | 4394-            | 6394-   | *        | *         |
| 100           | 4.7               | C              | T215C475K100(2)S             | 2.5                      | 3              | 5162-                              | 5362-   | 5562-    | 5762-     | 4395-            | 6395-   | *        | *         |
| 100           | 4.7               | C              | T215C475M100(2)S             | 2.5                      | 3              | 5163-                              | 5363-   | 5563-    | 5763-     | 4396-            | 6396-   | *        | *         |
| 100           | 5.6               | C              | T215C565J100(2)S             | 2.5                      | 3              | 5164-                              | 5364-   | 5564-    | 5764-     | 4397-            | 6397-   | *        | *         |
| 100           | 5.6               | C              | T215C565K100(2)S             | 2.5                      | 3              | 5165-                              | 5365-   | 5565-    | 5765-     | 4398-            | 6398-   | *        | *         |
| 100           | 6.80              | C              | T215C685J100(2)S             | 2.5                      | 3              | 5166-                              | 5366-   | 5566-    | 5766-     | 4399-            | 6399-   | *        | *         |
| 100           | 6.80              | C              | T215C685K100(2)S             | 2.5                      | 3              | 5167-                              | 5367-   | 5567-    | 5767-     | 4400-            | 6400-   | *        | *         |
| 100           | 6.80              | C              | T215C685M100(2)S             | 2.5                      | 3              | 5168-                              | 5368-   | 5568-    | 5768-     | 4401-            | 6401-   | *        | *         |
| (V) 85°C      | µF                | Case Size      | (see below for part options) | µA at 25°C Max/5 Minutes | 120 Hz Maximum | M (1.0)                            | P (0.1) | R (0.01) | S (0.001) | G (1)            | B (0.1) | C (0.01) | D (0.001) |
| Rated Voltage | Rated Capacitance | Case Size Code | KEMET Part Number            | DC Leakage               | DF % at 25°C   | MIL-PRF-39003 (CSR13) Capacitors   |         |          |           |                  |         |          |           |

(2) To complete KEMET part number (T215), insert graded failure rate: G for 1%/k hours, B for 0.1%/k hours, C for 0.01%/k hours, D for 0.001%/k hours or the exponential rate letter. Designates reliability level.

## Ripple Current/Ripple Voltage

Permissible AC ripple voltage is related to the ESR of the capacitor and the power dissipation capabilities of a particular case size.

Thermal capacities for the various case sizes have been determined empirically and are listed below.

| Temperature Compensation Multipliers<br>for Maximum Power Dissipation |          |           |
|---|----------|-----------|
| T ≤ 25°C  | T ≤ 85°C | T ≤ 125°C |
| 1.00  | 0.90     | 0.40      |

*T = Environmental Temperature*

Permissible AC ripple current can be determined by the following:

$$I(max) = Z \sqrt{P_{max}/R}$$

*P max = maximum watts*

*R = ESR at specified frequency (ohms)*

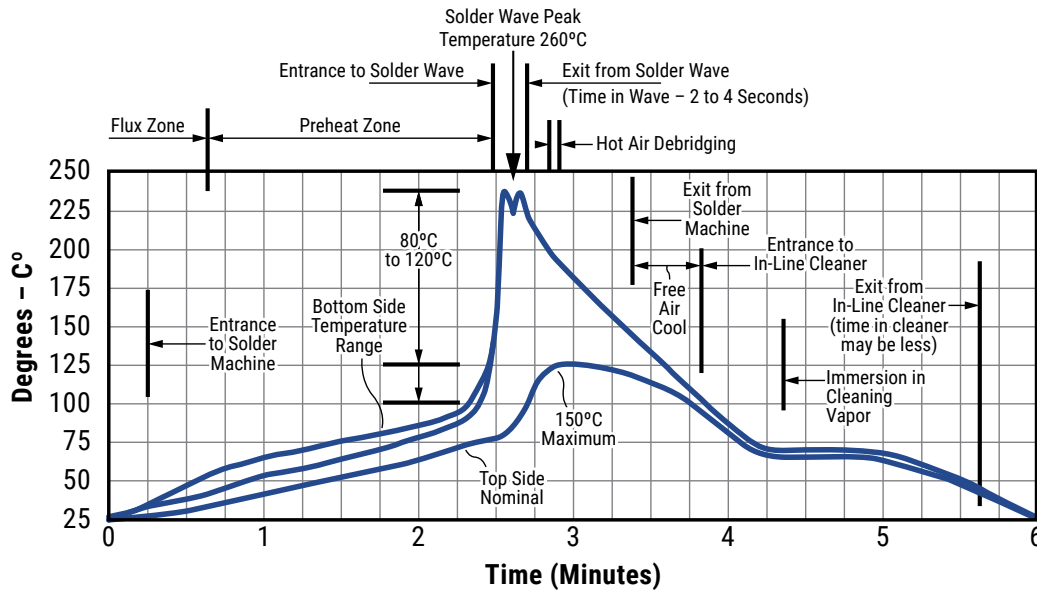
*I = rms ripple current (amperes)*

*Z = capacitor impedance in ohms at the specified frequency*

| Case Size | Maximum Power Dissipation (P max) | T2XX  |
|-----------|-----------------------------------|-------|
| A         | 0.09                              | 0.070 |
| B         | 0.100                             | 0.090 |
| C         | 0.125                             | –     |
| D         | 0.180                             | –     |

*Maximum Power Dissipation: 25°C Ambient*

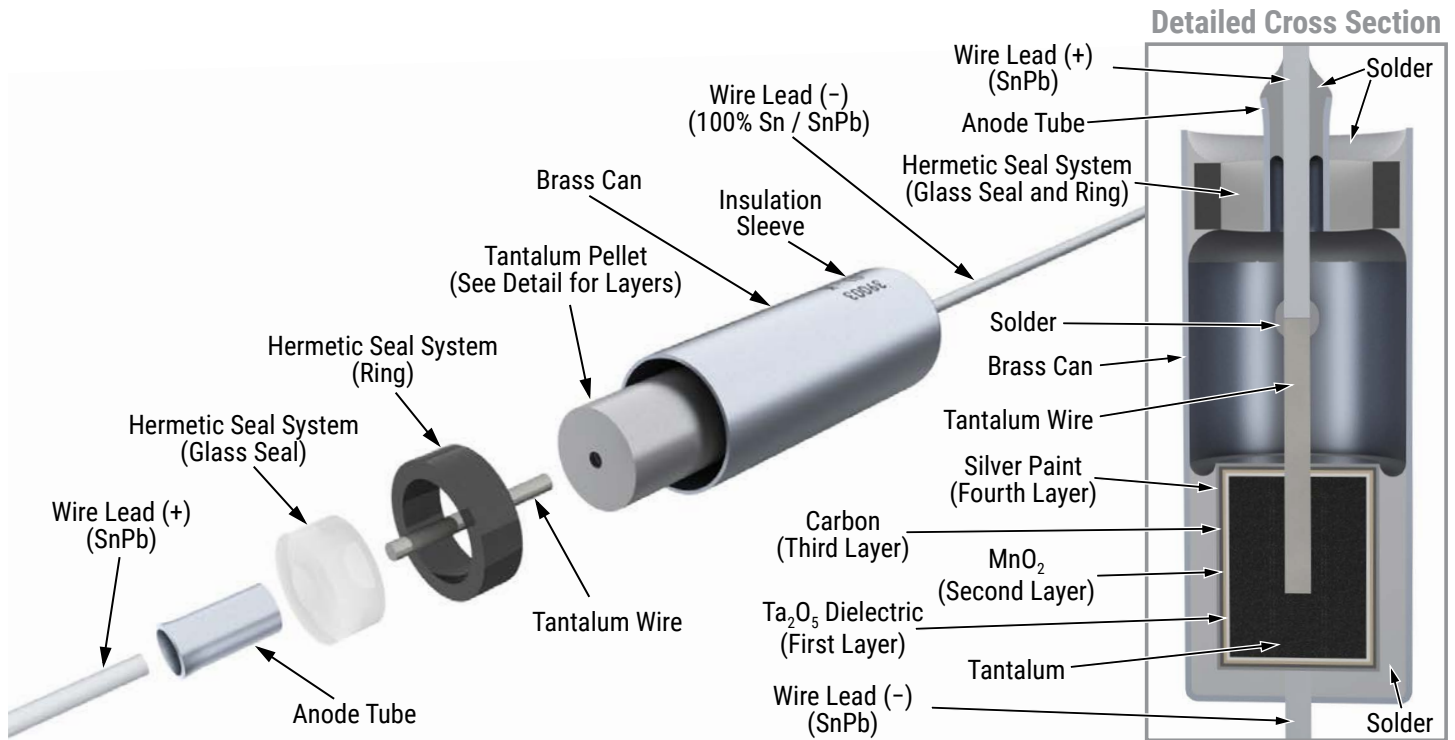
## Optimum Solder Wave Profile



## Mounting

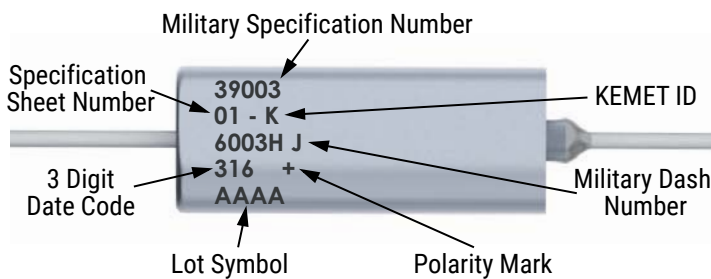
All enclosed capacitors will pass the Resistance to Soldering Heat Test of MIL-STD-202, Method 210, Condition C. This test simulates wave solder of topside board mount product. This demonstration of resistance to solder heat is in accordance with what is believed to be the industry standard. More severe treatment must be considered reflective of an improper soldering process. The above figure is a recommended solder wave profile for both axial and radial leaded solid tantalum capacitors.

## Construction

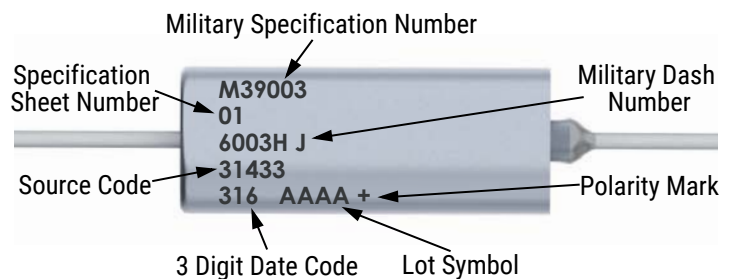


## Capacitor Marking

### A Case

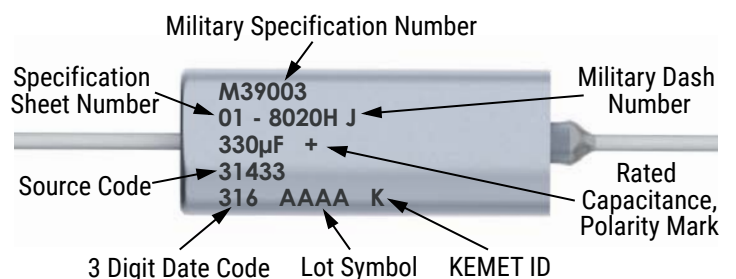


### B Case



| Date Code | 3 Digit  | 4 Digit   |
|-----------|--|-----------|
| Year      | 5 = 2015   | 15 = 2015 |
|           | 6 = 2016   | 16 = 2016 |
|           | 7 = 2017   | 17 = 2017 |
|           | 8 = 2018   | 18 = 2018 |
|           | 9 = 2019   | 19 = 2019 |
| Week      | 01 = 1 <sup>st</sup> week of the year to<br>52 = 52 <sup>nd</sup> week of the year |           |

### C & D Case

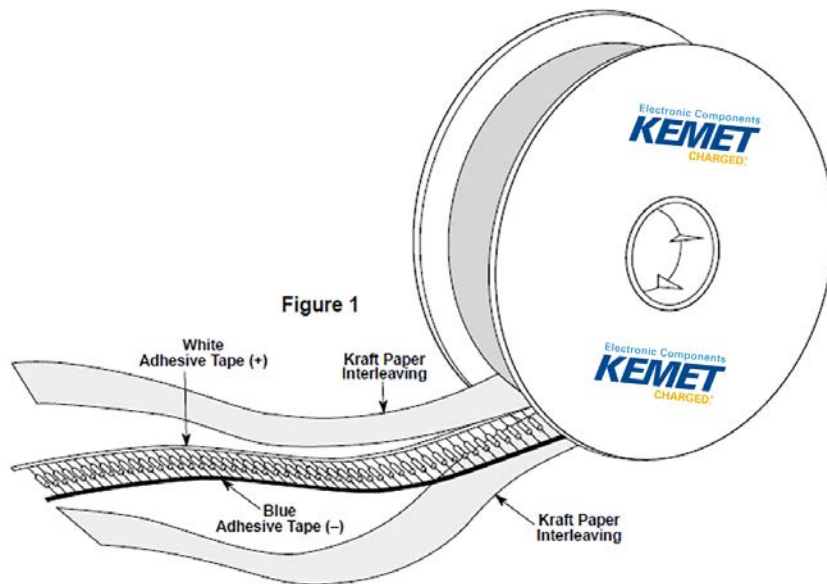


## Storage

Tantalum hermetically sealed capacitors should be stored in normal working environments. While the capacitors themselves are quite robust in other environments, solderability will be degraded by exposure to high temperatures, high humidity, corrosive atmospheres, and long term storage. In addition, packaging materials will be degraded by high temperature – reels may soften or warp and tape peel force may increase. KEMET recommends that maximum storage temperature not exceed 40°C and maximum storage humidity not exceed 60% relative humidity. Temperature fluctuations should be minimized to avoid condensation on the parts and atmospheres should be free of chlorine and sulphur bearing compounds. For optimized solderability capacitors stock should be used promptly, preferably within three years of receipt.

## Tape & Reel Packaging Information

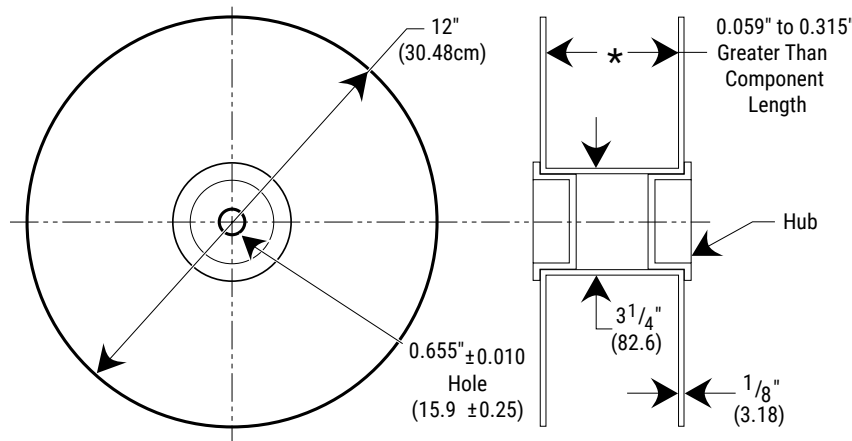
KEMET offers standard reeling of Solid Tantalum Capacitors for automatic insertion or lead forming machines per EIA Specification RS-296E.



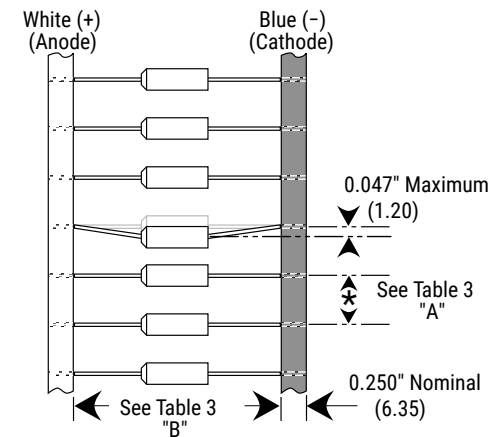
**Table 2 – Packaging Quantity**

| Case Size | Standard Bulk Quantity | Standard Reel Quantity | Reel C-Spec | Ammo Pack Quantity | Ammo Pack C-Spec                |
|-----------|------------------------|------------------------|-------------|--------------------|---------------------------------|
| A         | 150/Box                | 3,500                  | C-7200      | 1,500              | C-7293                          |
| B         | 75/Box                 | 2,500                  | C-7200      | 1,000              | Class I                         |
| C         | 20/Tray                | 500                    | C-7200      | 250                | C-7442                          |
| D         | 20/Tray                | 400                    | C-7200      | 250                | Class II<br>C-7443<br>Class III |

**Figure 2**



**Figure 3**



**Table 3 – Tape Dimensions**

| Component Body Diameter            | Component Pitch "A" | Inside Tape Spacing "B" ±1.5 mm (0.059") |           |         |
|------------------------------------|---------------------|--|-----------|---------|
|                                    |                     | I  | II        | III     |
| 0" (0 mm) to 0.197" (5 mm)         | 0.200" or (5 mm)    | 2.062"                                   | 2.500"    | 2.874"  |
| 0.197" (5.01 mm) to 0.394" (10 mm) | 0.400 or (10 mm)    | (52.4 mm)                                | (63.5 mm) | (73 mm) |

Capacitors are reeled so that positive leads are oriented as shown in Figure 3. Kraft paper (50lb. test minimum) is inserted between the layers of capacitors wound on reels for component pitch  $\leq 0.200$ " sizes and corrugated paper (70 lb. test minimum), single faced is inserted for component pitch  $\geq 0.400$ " sizes. Capacitor lead length may extend only a maximum of 0.031" (0.8 mm) beyond the tape's edges. Capacitors are centered in a row between the two tapes and will deviate only  $\pm 0.031$ " (0.79 mm) from the row center. Figures 1 and 2 show the KEMET standard chipboard tape reel. A minimum of 36" (91.5 cm) leader tape is provided at each end of the reeled capacitors. Universal splicing clips are used to connect the tape.



## KEMET Electronics Corporation Sales Offices

For a complete list of our global sales offices, please visit [www.kemet.com/sales](http://www.kemet.com/sales).

---

### Disclaimer

All product specifications, statements, information and data (collectively, the "Information") in this datasheet are subject to change. The customer is responsible for checking and verifying the extent to which the Information contained in this publication is applicable to an order at the time the order is placed. All Information given herein is believed to be accurate and reliable, but it is presented without guarantee, warranty, or responsibility of any kind, expressed or implied.

Statements of suitability for certain applications are based on KEMET Electronics Corporation's ("KEMET") knowledge of typical operating conditions for such applications, but are not intended to constitute – and KEMET specifically disclaims – any warranty concerning suitability for a specific customer application or use. The Information is intended for use only by customers who have the requisite experience and capability to determine the correct products for their application. Any technical advice inferred from this Information or otherwise provided by KEMET with reference to the use of KEMET's products is given gratis, and KEMET assumes no obligation or liability for the advice given or results obtained.

Although KEMET designs and manufactures its products to the most stringent quality and safety standards, given the current state of the art, isolated component failures may still occur. Accordingly, customer applications which require a high degree of reliability or safety should employ suitable designs or other safeguards (such as installation of protective circuitry or redundancies) in order to ensure that the failure of an electrical component does not result in a risk of personal injury or property damage.

Although all product-related warnings, cautions and notes must be observed, the customer should not assume that all safety measures are indicated or that other measures may not be required.

*KEMET is a registered trademark of KEMET Electronics Corporation.*

单击下面可查看定价，库存，交付和生命周期等信息

[>>KEMET\(基美\)](#)