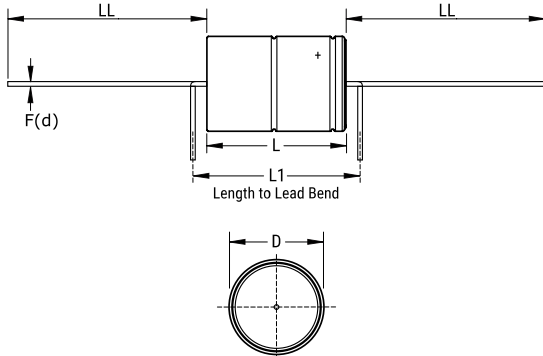


KEMET Part Number: PEG220KL4270QE1
(PEG220KL4270Q)

KEMET
a YAGEO company

PEG220, Aluminum Electrolytic, 2,700 uF, -10/+30%, 40 VDC, -40/+150°C



Note: '()' correspond to the letters used in the product bulletin

Dimensions	
D	20.2mm +/-0.5mm
L	42.7mm +/-1mm
L1	49mm MIN
LL	40mm +/-2mm
F	1mm +/-0.03mm

Packaging Specifications	
Sleeving:	Yes
Packaging:	Bulk, Box

General Information	
Series:	PEG220
Dielectric:	Aluminum Electrolytic
Style:	Axial
Description:	Vibration Resistant Very High Ripple Axial Aluminum Electrolytic
RoHS:	Yes
Lead:	Wire Leads
Qualifications:	AEC-Q200
AEC-Q200:	Yes
Halogen Free:	Yes
Component Weight:	24 g
Notes:	L1 is KEMETs recommendation for minimum distance between symmetrical Lead bend. Available only for Customer specific part numbers. Lead bend dimensions must be specified and confirmed per article. Dimensions D And L Include Sleeving.
Shelf Life:	520 Weeks

Specifications	
Capacitance:	2,700 uF
Capacitance Tolerance:	-10/+30%
Voltage DC:	40 VDC
Temperature Range:	-40/+150°C
Rated Temperature:	150°C
Life:	8400 Hrs (Rated Voltage At 125C), 2000 Hrs (Rated Voltage At 150C)
Resistance:	39 mOhms (100Hz 20C), 20 mOhms (100kHz 20C), 12.1 mOhms (5-100kHz 150C)
Ripple Current:	20.7 Amps (5kHz 125C, With Heat Sink), 13.1 Amps (5kHz 140C, With Heat Sink), 5.9 Amps (5kHz 150C, With Heat Sink), 7.3 Amps (5kHz 125C), 9.2 Amps (>=5 kHz 125C Max)
Leakage Current:	328 uA (5min 20°C)

Statements of suitability for certain applications are based on our knowledge of typical operating conditions for such applications, but are not intended to constitute - and we specifically disclaim - any warranty concerning suitability for a specific customer application or use. This Information is intended for use only by customers who have the requisite experience and capability to determine the correct products for their application. Any technical advice inferred from this Information or otherwise provided by us with reference to the use of our products is given gratis, and we assume no obligation or liability for the advice given or results obtained.

KEMET
a YAGEO company

单击下面可查看定价，库存，交付和生命周期等信息

[>>KEMET\(基美\)](#)