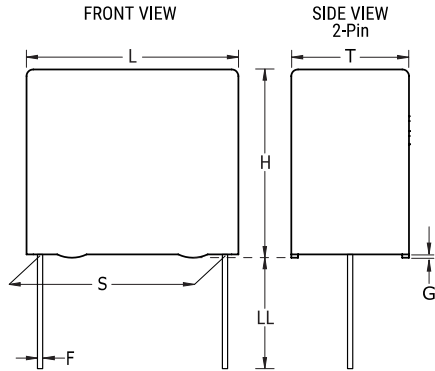


F861, Film, Metallized Polypropylene, Safety, 0.22 uF, 10%, 310 VAC (X2), 630 VDC, 110°C, Lead Spacing = 15mm



Dimensions

L	18mm -0.5mm
H	12mm -0.5mm
T	6mm -0.5mm
S	15mm +/-0.4mm
LL	25mm +5mm
F	0.8mm +/-0.05mm
G	0.5mm NOM

Packaging Specifications

Packaging:	Bulk, Bag
Packaging Quantity:	1000

General Information

Series:	F861
Dielectric:	Metallized Polypropylene
Style:	Radial
Features:	MKP EMI Safety
RoHS:	Yes
Lead:	Wire Leads
Safety Class:	X2
Qualifications:	ENEC, UL, cUL, CQC
AEC-Q200:	No
THB Performance:	No
Miscellaneous:	ClimCat: 40/110/56/B.
Shelf Life:	104 Weeks

Specifications

Capacitance:	0.22 uF
Capacitance Tolerance:	10%
Voltage AC:	310 VAC (X2)
Voltage DC:	630 VDC
Temperature Range:	-40/+110°C
Rated Temperature:	110°C
Dissipation Factor:	0.2% 1KHz
Insulation Resistance:	30 GOhms
Max dV/dt:	400 V/us

单击下面可查看定价，库存，交付和生命周期等信息

[>>KEMET\(基美\)](#)