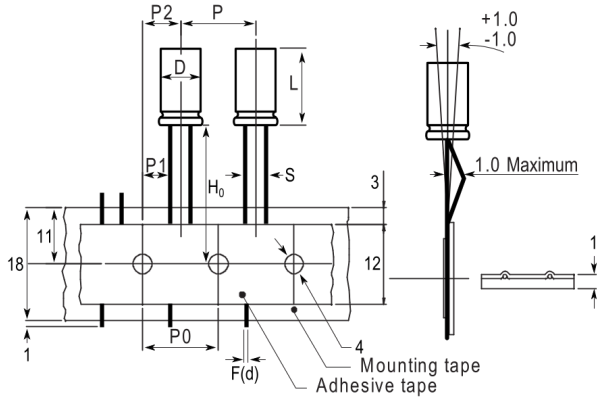


Straight Leads Diameter > 8
Lead and packaging code EA and KA



Note: '(j)' correspond to the letters used in the product bulletin

Click [here](#) for the 3D model.

Dimensions

D	10mm +/-0.5mm
L	12.5mm +1.5/-0mm
S	5mm +/-0.5mm
LL Negative	15mm MIN
LL Positive	20mm MIN
F	0.6mm NOM

Packaging Specifications

Packaging	T&R
Packaging Quantity	1200

General Information

Series	ESH
Dielectric	Aluminum Electrolytic
Description	High CV Single Ended Aluminum Electrolytic
RoHS	Yes
Lead	Wire Leads
AEC-Q200	No

Specifications

Capacitance	470 uF
Capacitance Tolerance	20%
Voltage DC	25 VDC, 32 VDC (Surge)
Temperature Range	-40/+105°C
Rated Temperature	105°C
Life	2000 Hrs
Dissipation Factor	16% 120Hz 25C
Ripple Current	440 mAmps (120Hz 105C)
Leakage Current	117.5 uA (2min 20°C)
Impedance Ratio at -25C	2
Impedance Ratio at -40C	3

单击下面可查看定价，库存，交付和生命周期等信息

[>>KEMET\(基美\)](#)