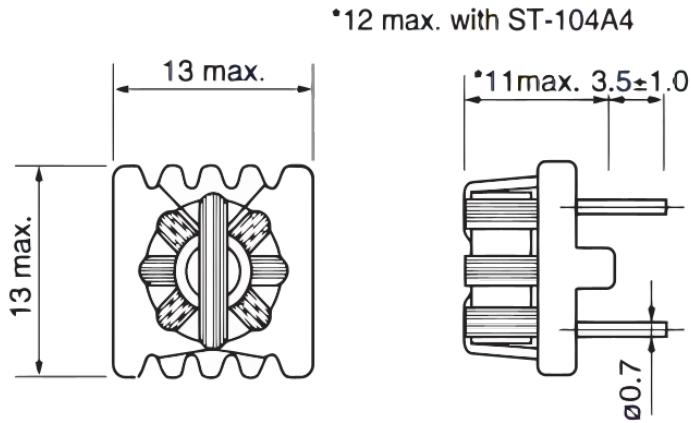


## ST-104A4

Aliases (UDLST00104A400)

KEMET, ST, DC Line Filters, Common Mode



Click [here](#) for the 3D model.

### Dimensions

|    |              |
|----|--------------|
| L  | 13mm MAX     |
| W  | 13mm MAX     |
| H  | 11mm MAX     |
| LL | 3.5mm +/-1mm |

### Packaging Specifications

|                    |           |
|--------------------|-----------|
| Packaging          | Tray, Box |
| Packaging Quantity | 4800      |
| Component Weight   | 2.7 g     |

### General Information

|               |  |
|---------------|--|
| Series        | ST   |
| Style         | Through-Hole   |
| RoHS          | Yes  |
| Miscellaneous | AM Band, Frequency Range: 0.5 To 7 MHz, Impedance: 3000 Ohms (0.5 MHz) |

### Specifications

|                   |           |
|-------------------|-----------|
| Voltage DC        | 50 VDC    |
| Temperature Range | -20/+75°C |
| DC Resistance     | 360 mOhms |

Statements of suitability for certain applications are based on our knowledge of typical operating conditions for such applications, but are not intended to constitute - and we specifically disclaim - any warranty concerning suitability for a specific customer application or use. This information is intended for use only by customers who have the requisite experience and capability to determine the correct products for their application. Any technical advice inferred from this information or otherwise provided by us with reference to the use of our products is given gratis, and we assume no obligation or liability for the advice given or results obtained.

单击下面可查看定价，库存，交付和生命周期等信息

[>>KEMET\(基美\)](#)