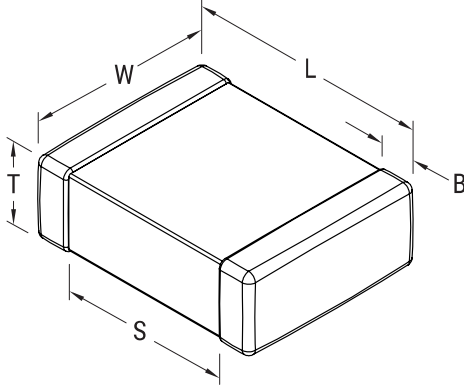



KEMET Part Number: C0402C223M9PALTU
(C0402C223M9PAL7867)

SMD Comm X5R SnPb, Ceramic, 0.022 uF, 20%, 6.3 VDC, X5R, SMD, MLCC, Temperature Stable, Class II, 0402



Dimensions	
Chip Size	0402
L	1mm +/-0.05mm
W	0.5mm +/-0.05mm
T	0.5mm +/-0.05mm
S	0.3mm MIN
B	0.3mm +/-0.1mm

Packaging Specifications	
Packaging:	T&R, 180mm, Paper Tape
Packaging Quantity:	10000

General Information	
Series:	SMD Comm X5R SnPb
Style:	SMD Chip
Description:	SMD, MLCC, Temperature Stable, Class II
Features:	Temperature Stable, Class II
RoHS:	No
Prop 65:	 WARNING: Cancer and reproductive harm - www.p65warnings.ca.gov .
SCIP Number:	5549986b-60cf-4a2a-afbb-4ad1d7a11dcb
Termination:	Lead (SnPb)
Marking:	No
AEC-Q200:	No
Component Weight:	1210 ug
Shelf Life:	78 Weeks
MSL:	1

Specifications	
Capacitance:	0.022 uF
Measurement Condition:	1 kHz 1.0Vrms
Capacitance Tolerance:	20%
Voltage DC:	6.3 VDC
Dielectric Withstanding Voltage:	15.75 VDC
Temperature Range:	-55/+85°C
Temperature Coefficient:	X5R
Capacitance Change with Reference to +25°C and 0 VDC Applied (TCC):	15%, 1kHz 1.0Vrms
Dissipation Factor:	5% 1 kHz 1.0Vrms
Aging Rate:	5% Loss/Decade Hour: Referee Time is 1000 Hours
Insulation Resistance:	10 GOhms

Statements of suitability for certain applications are based on our knowledge of typical operating conditions for such applications, but are not intended to constitute - and we specifically disclaim - any warranty concerning suitability for a specific customer application or use. This Information is intended for use only by customers who have the requisite experience and capability to determine the correct products for their application. Any technical advice inferred from this Information or otherwise provided by us with reference to the use of our products is given gratis, and we assume no obligation or liability for the advice given or results obtained.

单击下面可查看定价，库存，交付和生命周期等信息

[>>KEMET\(基美\)](#)