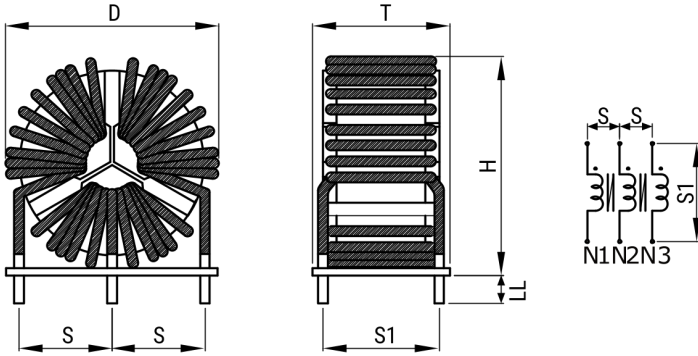


SC-20-SE10J

Aliases (UALSC20SE10J00)

KEMET, SC Three Phase, AC Line Filters, Common Mode, 0.94 mH



Click [here](#) for the 3D model.

Dimensions

D	49mm MAX
T	30mm MAX
H	51mm MAX
LL	5mm +/-1mm
S	20mm NOM
S1	25mm NOM
Wire Size	1.8mm

Packaging Specifications

Packaging	Tray
Packaging Quantity	60
Component Weight	113 g

General Information

Series	SC Three Phase
Style	Through-Hole
Features	High Impedance
RoHS	Yes
Notes	Lead Spacing (S/S1) Are For Reference Only.
Miscellaneous	Temperature Rise Maximum: 90 K
Core	Mn-Zn Ferrite

Specifications

Voltage AC	250 VAC/VDC
Voltage DC	250 VDC
Inductance	0.94 mH (10 kHz)
Current	20 A
Temperature Range	-25/+120°C
DC Resistance	7 mOhms

Statements of suitability for certain applications are based on our knowledge of typical operating conditions for such applications, but are not intended to constitute - and we specifically disclaim - any warranty concerning suitability for a specific customer application or use. This information is intended for use only by customers who have the requisite experience and capability to determine the correct products for their application. Any technical advice inferred from this information or otherwise provided by us with reference to the use of our products is given gratis, and we assume no obligation or liability for the advice given or results obtained.

单击下面可查看定价，库存，交付和生命周期等信息

[>>KEMET\(基美\)](#)