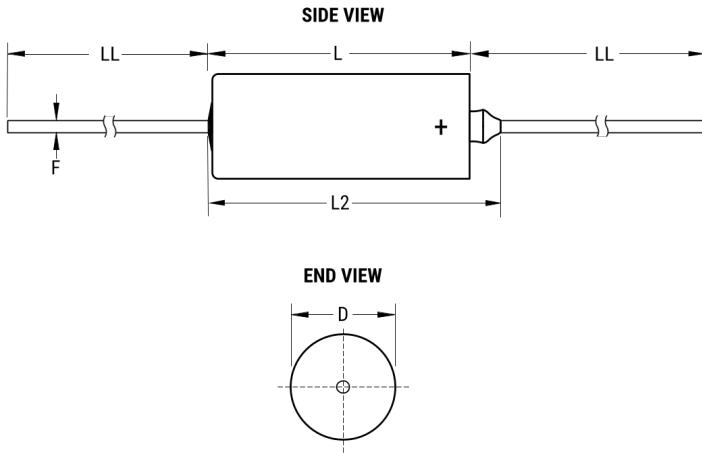


T140B156M030AS7200

Aliases (T140B156M030AS7241, T140B156M030ASTR)

T140, Tantalum, MnO₂ Tantalum, Commercial Grade, 15 uF, 20%, 30 VDC, 2 Ohms



Click [here](#) for the 3D model.

Dimensions

D	4.7mm +/-0.25mm
L	12.04mm +/-0.79mm
L2	15.49mm
LL	38.1mm +/-6.35mm
F	0.51mm +/-0.05mm

Packaging Specifications

Packaging	T&R, 305mm, Class I, B = 52.4mm
Packaging Quantity	2500

General Information

Series	T140
Dielectric	MnO ₂ Tantalum
Style	Axial Hermetic
Description	Axial, Solid Tantalum, Hermetically Sealed, Military (Non-ER), Polar
Features	Extended Capacitance, Polar
RoHS	No
Prop 65	⚠ WARNING: Cancer and reproductive harm - http://www.p65warnings.ca.gov .
SCIP Number	be146961-2c72-4b45-804a-c62bf7a8b23e
Termination	Lead (SnPb)
Lead	Wire Leads
AEC-Q200	No
Construction	Hermetic
Notes	Dimensions Include Insulating Sleeve. When supplied on T&R or AMMO, lead length is determined by taping specification.

Specifications

Capacitance	15 uF
Capacitance Tolerance	20%
Voltage DC	30 VDC (85C), 26 VDC (125C Surge), 0.3 VDC (125C Reverse)
Temperature Range	-55/+125°C
Rated Temperature	85°C
Dissipation Factor	4%
Resistance	2 Ohms (100kHz)
Leakage Current	3 uA (25°C)

Statements of suitability for certain applications are based on our knowledge of typical operating conditions for such applications, but are not intended to constitute - and we specifically disclaim - any warranty concerning suitability for a specific customer application or use. This information is intended for use only by customers who have the requisite experience and capability to determine the correct products for their application. Any technical advice inferred from this information or otherwise provided by us with reference to the use of our products is given gratis, and we assume no obligation or liability for the advice given or results obtained.

单击下面可查看定价，库存，交付和生命周期等信息

[>>KEMET\(基美\)](#)