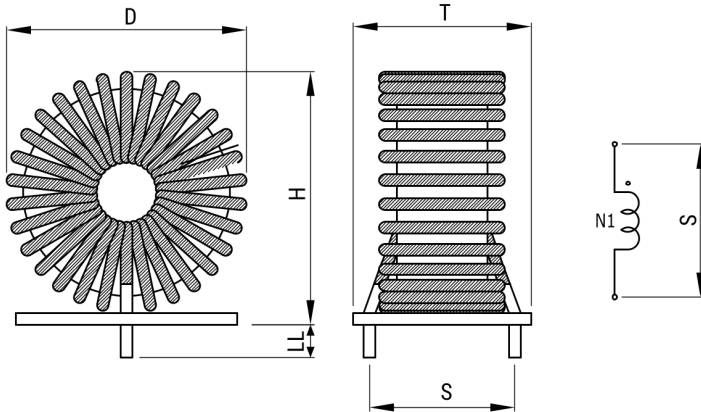


SN16P-400J

Aliases (UALSN16P400J00)

KEMET, SN-J, AC Line Filters, Normal Mode, 0.108 mH



General Information

Series	SN-J
Style	Through-Hole
RoHS	Yes
Miscellaneous	Temperature Rise Maximum: 45 K
Core	Fe

Specifications

Inductance	108 uH (0.1 MHz)
Current	8 A
Temperature Range	-25/+120°C
DC Resistance	27 mOhms

Click [here](#) for the 3D model.

Dimensions

D	33mm MAX
T	21mm MAX
H	33.5mm MAX
LL	4.5mm +/-1mm
S	16mm NOM
Wire Size	1.5mm

Packaging Specifications

Packaging	Tray
Component Weight	44.9 g

Statements of suitability for certain applications are based on our knowledge of typical operating conditions for such applications, but are not intended to constitute - and we specifically disclaim - any warranty concerning suitability for a specific customer application or use. This information is intended for use only by customers who have the requisite experience and capability to determine the correct products for their application. Any technical advice inferred from this information or otherwise provided by us with reference to the use of our products is given gratis, and we assume no obligation or liability for the advice given or results obtained.

单击下面可查看定价，库存，交付和生命周期等信息

[>>KEMET\(基美\)](#)