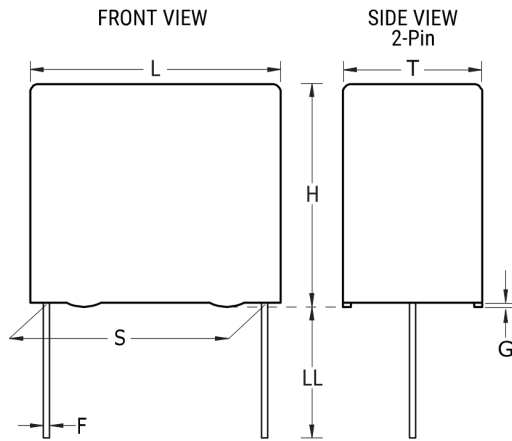


PHE429MB6100KR06

Aliases (F429BD104K630C)

PHE429/F429, Film, Metallized Polypropylene, General Purpose, 0.1 uF, 10%, 630 VDC, 85°C, Lead Spacing = 15mm



Click [here](#) for the 3D model.

Dimensions	
L	18mm -0.5mm
H	10.5mm -0.5mm
T	5.5mm -0.5mm
S	15mm +/-0.4mm
LL	6mm -1mm
F	0.8mm +/-0.05mm
G	0.5mm NOM

Packaging Specifications	
Packaging	Bulk, Bag
Packaging Quantity	1000

General Information	
Series	PHE429/F429
Dielectric	Metallized Polypropylene
Style	Radial
Features	Pulse
RoHS	Yes
Lead	Wire Leads
AEC-Q200	No
Component Weight	1.382 g
Miscellaneous	The Rated Voltage Decreases 1.3%/C Between +85C And +110C. Rthha= 99 C/W (85C), 0.2 m/s.

Specifications	
Capacitance	0.1uF
Capacitance Tolerance	10%
Voltage AC	275 VAC
Voltage DC	630 VDC, 507 VDC (105C)
Temperature Range	-55/+110°C
Rated Temperature	85°C
Dissipation Factor	0.1% 1kHz
Insulation Resistance	300 GOhms
Max dV/dt	250 V/us
Inductance	6 nH

Statements of suitability for certain applications are based on our knowledge of typical operating conditions for such applications, but are not intended to constitute - and we specifically disclaim - any warranty concerning suitability for a specific customer application or use. This information is intended for use only by customers who have the requisite experience and capability to determine the correct products for their application. Any technical advice inferred from this information or otherwise provided by us with reference to the use of our products is given gratis, and we assume no obligation or liability for the advice given or results obtained.

单击下面可查看定价，库存，交付和生命周期等信息

[>>KEMET\(基美\)](#)