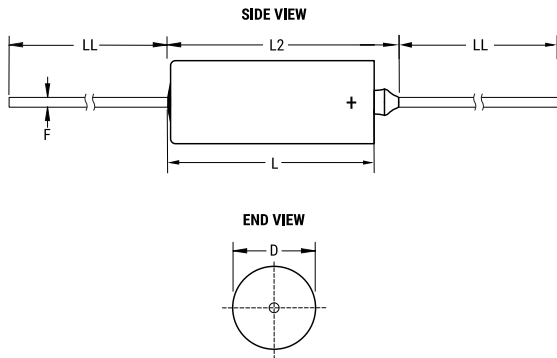


T551, Tantalum, Polymer Tantalum, HRA, 25 uF, 10%, 50 VDC, 170 mOhms



Dimensions	
D	7.34mm +0.41/-0.38mm
L	17.42mm +/-0.79mm
L2	20.88mm MAX
LL	38.1mm +/-6.35mm
F	0.64mm +/-0.05mm

Packaging Specifications	
Packaging:	T&R
Packaging Quantity:	500

General Information	
Series:	T551
Dielectric:	Polymer Tantalum
Style:	Axial Hermetic
RoHS:	No
Prop 65:	WARNING: Cancer and reproductive harm - www.p65warnings.ca.gov .
Termination:	Tin
Lead:	Wire Leads
AEC-Q200:	No
Construction:	Hermetic
Component Weight:	3.63 g
Miscellaneous:	Sleeved.
Notes:	Dimensions Include Insulating Sleeve. When supplied on T&R or AMMO, lead length is determined by taping specification.
Shelf Life:	156 Weeks

Specifications	
Capacitance:	25 uF
Capacitance Tolerance:	10%
Voltage DC:	50 VDC (85C), 33 VDC (125C), 57.5 VDC (85C Surge)
Temperature Range:	-55/+125°C
Rated Temperature:	85°C
Life:	2000 Hrs
Humidity:	40C, 60% RH
Dissipation Factor:	5% 120Hz 25C
Failure Rate:	N/A
Resistance:	170 mOhm (100kHz 25C)
Ripple Current:	1275 mAmps (40kHz 85C)
Leakage Current:	9.4 uA (5min 25°C)
Testing and Reliability:	Surge Testing At -55C And +85C Before Weibull

Statements of suitability for certain applications are based on our knowledge of typical operating conditions for such applications, but are not intended to constitute - and we specifically disclaim - any warranty concerning suitability for a specific customer application or use. This Information is intended for use only by customers who have the requisite experience and capability to determine the correct products for their application. Any technical advice inferred from this Information or otherwise provided by us with reference to the use of our products is given gratis, and we assume no obligation or liability for the advice given or results obtained.

单击下面可查看定价，库存，交付和生命周期等信息

[>>KEMET\(基美\)](#)