

Overview

Power feed-through capacitors enable a consistently high frequency performance to be combined with high current capability. They have compact mechanical enclosures and terminations which suit the use in many industrial applications such as Telecommunications, Medical equipment and DC power systems. These capacitors are mechanically robust to withstand use in normal high current applications and yet sufficiently compact to enable system integration. Under AC use, consideration must be given to the leakage current caused by the capacitance value in order to comply with equipment safety specifications. Under both AC and DC usage a safe discharge after use must be considered because of the substantial energy which can be stored. These capacitors are designed so that multiple high frequency resonances are minimized and hence the performance is maintained over the operating frequency range. The dielectric design of the capacitor elements enables high level of voltage withstand capability and handling of high transients. These products are fully encapsulated in a UL-94 V0 polyurethane resin system.

Applications

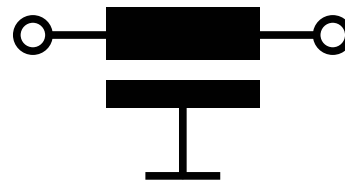
Particularly suitable for use in screened rooms, medical equipment, power supplies, high frequency welding equipment, and telecom systems.



Technical Specifications

Item	Parameters/Characteristics
Rated Voltage	250 VAC 100 – 1,000 VDC
Rated Frequency	50 – 60 Hz
Rated Current	25 – 800 A
Rated Temperature	40°C
Temperature Range	-40°C to 85°C
Climate Category	40/085/56
Voltage Test	250 – 3,950 VDC

Typical Electrical Schematic



Technical Specifications cont.

Part Number	Rated Current at 40°C (A)	Rated Voltage (VAC/VDC)	C (μF)	Volt Test (VDC)	UL
FLLCC025A01510	25	-/100	0.1	250	
FLLCC025A05510	25	-/100	0.5	250	
FLLCC075A40010	75	250/-	4.0	1,200	
FLLCC100A01519	100	-/100	0.1	500	α
FLLCC200A01612H	200	-/1,000	1.0	2,500	
FLLCC200A03610	200	-/60	3.0	500	
FLLCC300A05511	300	-/750	0.5	3,950	
FLLCC500A05511	500	-/750	0.5	3,950	
FLLCC800A05511	800	-/750	0.5	3,950	

α UL approval

Approvals

Standard	Certification Body	File Number
UL 1283, 5 th Edition	UL	E192374

Environmental Compliance

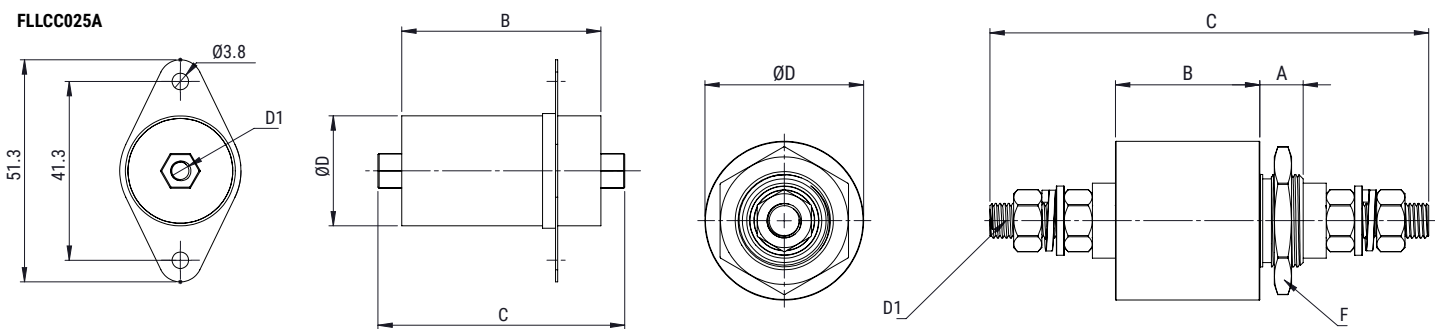
KEMET EMI filters are RoHS Compliant.



Typical Insertion Loss

Part Number	0.01 MHz (dB)	0.1 MHz (dB)	1 MHz (dB)	10 MHz (dB)	100 MHz (dB)
FLLCC025A015I0	-	5	22	39	66
FLLCC025A055I0	6	20	38	54	60
FLLCC075A400I0	15	38	55	66	72
FLLCC100A015I9	-	5	22	39	66
FLLCC200A016I2H	3	25	45	50	73
FLLCC200A036I0	11	35	53	63	71
FLLCC300A055I1	6	20	38	54	60
FLLCC500A055I1	6	20	38	54	60
FLLCC800A055I1	6	20	38	54	60

Mechanical Dimensions – Millimeters



Part Number	Dimensions (mm)					
	A	B	C	D	D1	F
FLLCC025A015I0	N/A	46	57	25.4	N/A	M5
FLLCC025A055I0	N/A	46	57	25.4	N/A	M5
FLLCC075A400I0	13	45	99	30	M20x1	M6
FLLCC100A015I9	13	45	111	30	M20x1	M8
FLLCC200A016I2H	15	31	93	55	M27x1.5	M8
FLLCC200A036I0	12	36	100	38	M20x1	M10
FLLCC300A055I1	15	50	152	55	M32x1.5	M12
FLLCC500A055I1	15	80	220	55	M32x1.5	M20
FLLCC800A055I1	15	80	250	55	M32x1.5	M25

KEMET Electronics Corporation Sales Offices

For a complete list of our global sales offices, please visit www.kemet.com/sales.

Disclaimer

All product specifications, statements, information and data (collectively, the "Information") in this datasheet are subject to change. The customer is responsible for checking and verifying the extent to which the Information contained in this publication is applicable to an order at the time the order is placed. All Information given herein is believed to be accurate and reliable, but it is presented without guarantee, warranty, or responsibility of any kind, expressed or implied.

Statements of suitability for certain applications are based on KEMET Electronics Corporation's ("KEMET") knowledge of typical operating conditions for such applications, but are not intended to constitute – and KEMET specifically disclaims – any warranty concerning suitability for a specific customer application or use. The Information is intended for use only by customers who have the requisite experience and capability to determine the correct products for their application. Any technical advice inferred from this Information or otherwise provided by KEMET with reference to the use of KEMET's products is given gratis, and KEMET assumes no obligation or liability for the advice given or results obtained.

Although KEMET designs and manufactures its products to the most stringent quality and safety standards, given the current state of the art, isolated component failures may still occur. Accordingly, customer applications which require a high degree of reliability or safety should employ suitable designs or other safeguards (such as installation of protective circuitry or redundancies) in order to ensure that the failure of an electrical component does not result in a risk of personal injury or property damage.

Although all product-related warnings, cautions and notes must be observed, the customer should not assume that all safety measures are indicated or that other measures may not be required.

KEMET is a registered trademark of KEMET Electronics Corporation.

单击下面可查看定价，库存，交付和生命周期等信息

[>>KEMET\(基美\)](#)