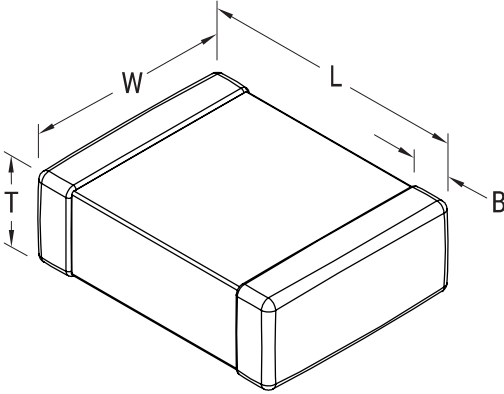


CBR-SMD RF COG, Ceramic, 39 pF, 5%, 50 VDC, COG, SMD, Fixed, RF, Ultra High Q, Low ESR, Class I, 0402



**Dimensions**

Dimensions	
Chip Size	0402
L	1mm +/-0.05mm
W	0.5mm +/-0.05mm
T	0.5mm +/-0.05mm
B	0.25mm +0.05/-0.1mm

**Packaging Specifications**

Packaging:	T&R, 180mm, Plastic Tape
Packaging Quantity:	10000

**General Information**

Series:	CBR-SMD RF COG
Style:	SMD Chip
Description:	SMD, Fixed, RF, Ultra High Q, Low ESR, Class I
Features:	Ultra High Q, Low ESR, Class I
RoHS:	Yes
Termination:	Tin
Marking:	No
AEC-Q200:	No
Notes:	Solder Reflow Only.
Shelf Life:	78 Weeks
MSL:	1

**Specifications**

Capacitance:	39 pF
Capacitance Tolerance:	5%
Voltage DC:	50 VDC
Dielectric Withstanding Voltage:	125 VDC
Temperature Range:	-55/+125°C
Temperature Coefficient:	COG
Dissipation Factor:	0.1%
Aging Rate:	0% Loss/Decade Hour
Insulation Resistance:	10 GOhms
Quality Factor:	1000

单击下面可查看定价，库存，交付和生命周期等信息

[>>KEMET\(基美\)](#)