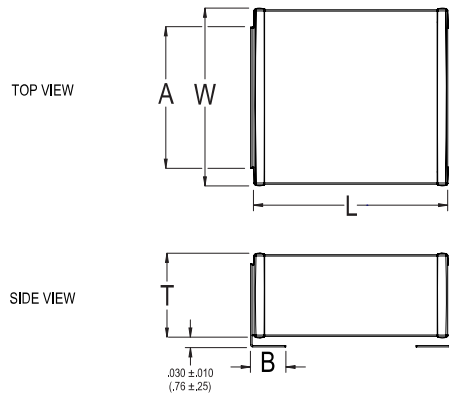


KEMET Part Number: SM33B102M502B
(SM33B102M502)



KPS SM SMD Indust X7R HV, Ceramic, 1000 pF, 20%, 5000 VDC, X7R, SMD, Fixed, High Volt, Low ESR, Leaded, Industrial, SM33



| Dimensions | |
|------------|--------------------|
| Chip Size | SM33 |
| L | 17.78mm +/-0.762mm |
| W | 7.62mm +/-0.762mm |
| T | 4.572mm MAX |
| A | 5.08mm MAX |
| B | 2.54mm +/-0.508mm |

| Packaging Specifications | |
|--------------------------|------|
| Packaging: | Tray |
| Packaging Quantity: | 25 |

| General Information | |
|---------------------|--|
| Series: | KPS SM SMD Indust X7R HV |
| Style: | SMD Chip |
| Description: | SMD, Fixed, High Volt, Low ESR, Leaded, Industrial |
| Features: | High Voltage, Low ESR, Industrial Grade |
| RoHS: | With Exemptions |
| REACH: | SVHC (Pb – CAS 7439-92-1) |
| Termination: | Silver |
| Marking: | No |
| AEC-Q200: | No |
| Shelf Life: | 78 Weeks |
| MSL: | 1 |

| Specifications | |
|----------------------------------|------------|
| Capacitance: | 1000 pF |
| Capacitance Tolerance: | 20% |
| Voltage DC: | 5000 VDC |
| Dielectric Withstanding Voltage: | 6000 VDC |
| Temperature Range: | -55/+125°C |
| Temperature Coefficient: | X7R |
| Dissipation Factor: | 2.5% |
| Insulation Resistance: | 100 GOhms |
| Quality Factor: | 3 |

Statements of suitability for certain applications are based on our knowledge of typical operating conditions for such applications, but are not intended to constitute - and we specifically disclaim - any warranty concerning suitability for a specific customer application or use. This Information is intended for use only by customers who have the requisite experience and capability to determine the correct products for their application. Any technical advice inferred from this Information or otherwise provided by us with reference to the use of our products is given gratis, and we assume no obligation or liability for the advice given or results obtained.



单击下面可查看定价，库存，交付和生命周期等信息

[>>KEMET\(基美\)](#)