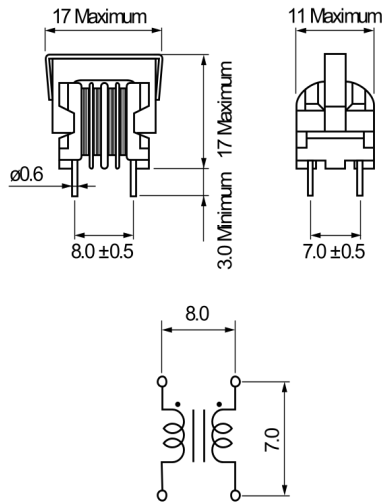


## SU9VF-07015

Aliases (UALSU9VF070150)

KEMET, SU-9VF, AC Line Filters, Common Mode, 1.5 mH



Click [here](#) for the 3D model.

### General Information

Series	SU-9VF
Style	Through-Hole
RoHS	Yes
Miscellaneous	Temperature Rise Maximum: 40 K
Core	Mn-Zn Ferrite

### Specifications

Voltage AC	250 VAC
Inductance	1500 $\mu$ H
Current	700 mA
Temperature Range	-25/+120°C
DC Resistance	440 mOhms

### Dimensions

L	17mm MAX
T	11mm MAX
H	17mm MAX
LL	3mm MIN
S	8mm +/-0.5mm
S1	7mm +/-0.5mm
Wire Size	0.23mm

### Packaging Specifications

Packaging	Tray
Packaging Quantity	1000
Component Weight	3.3 g

Statements of suitability for certain applications are based on our knowledge of typical operating conditions for such applications, but are not intended to constitute - and we specifically disclaim - any warranty concerning suitability for a specific customer application or use. This information is intended for use only by customers who have the requisite experience and capability to determine the correct products for their application. Any technical advice inferred from this information or otherwise provided by us with reference to the use of our products is given gratis, and we assume no obligation or liability for the advice given or results obtained.

单击下面可查看定价，库存，交付和生命周期等信息

[>>KEMET\(基美\)](#)