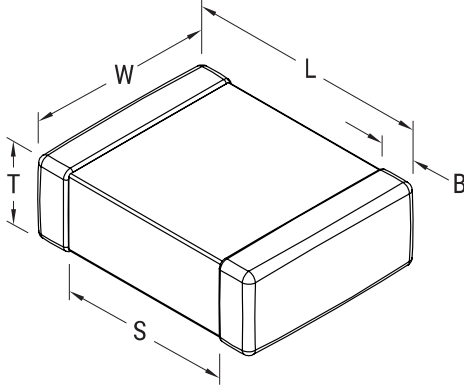


**KEMET Part Number: C0603X519C1HACTU**  
(C0603X519C1HAC7867)



SMD Comm X8R HT150C Flex, Ceramic, 5.1 pF, +/-0.25 pF, 100 VDC, X8R, SMD, MLCC, High Temperature, Ultra-Stable, 0603



Dimensions	
Chip Size	0603
L	1.6mm +/-0.17mm
W	0.8mm +/-0.15mm
T	0.8mm +/-0.15mm
S	0.58mm MIN
B	0.45mm +/-0.15mm

Packaging Specifications	
Packaging:	T&R, 180mm, Paper Tape
Packaging Quantity:	4000

General Information	
Series:	SMD Comm X8R HT150C Flex
Style:	SMD Chip
Description:	SMD, MLCC, High Temperature, Ultra-Stable
Features:	Ultra-Stable
RoHS:	Yes
Termination:	Flexible Termination
Marking:	No
AEC-Q200:	No
Component Weight:	7300 ug
Shelf Life:	78 Weeks
MSL:	1

Specifications	
Capacitance:	5.1 pF
Measurement Condition:	1 MHz 1.0Vrms
Capacitance Tolerance:	+/-0.25 pF
Voltage DC:	100 VDC
Dielectric Withstanding Voltage:	250 VDC
Temperature Range:	-55/+150°C
Temperature Coefficient:	X8R
Capacitance Change with Reference to +25°C and 0 VDC Applied (TCC):	15%, 1MHz 1.0Vrms
Dissipation Factor:	2.5% 1 MHz 1.0Vrms
Aging Rate:	0% Loss/Decade Hour: Referee Time is 1000 Hours
Insulation Resistance:	100 GOhms

Statements of suitability for certain applications are based on our knowledge of typical operating conditions for such applications, but are not intended to constitute - and we specifically disclaim - any warranty concerning suitability for a specific customer application or use. This Information is intended for use only by customers who have the requisite experience and capability to determine the correct products for their application. Any technical advice inferred from this Information or otherwise provided by us with reference to the use of our products is given gratis, and we assume no obligation or liability for the advice given or results obtained.



单击下面可查看定价，库存，交付和生命周期等信息

[>>KEMET\(基美\)](#)