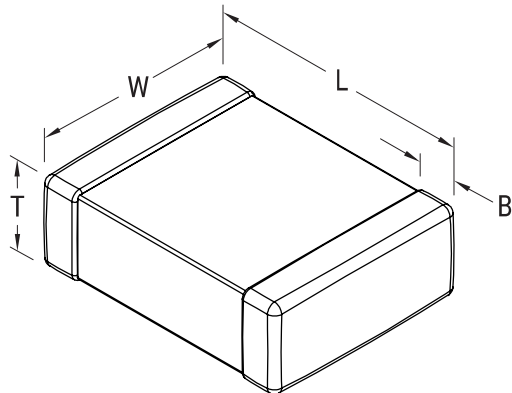


KEMET Part Number: C1210X226M9RACTU
(C1210X226M9RAC7800)

KEMET

a YAGEO company

SMD Comm X7R Flex, Ceramic, 22 uF, 20%, 6.3 VDC, X7R, SMD, MLCC, FT-CAP, Temperature Stable, 1210



Dimensions

Chip Size		1210
L		3.3mm +/-0.4mm
W		2.6mm +/-0.3mm
T		2.5mm +/-0.30mm
B		0.6mm +/-0.25mm

Packaging Specifications

Packaging:	T&R, 180mm, Plastic Tape
Packaging Quantity:	1000

General Information

Series:	SMD Comm X7R Flex
Style:	SMD Chip
Description:	SMD, MLCC, FT-CAP, Temperature Stable
Features:	FT-CAP, Temperature Stable
RoHS:	Yes
Termination:	Flexible Termination
Marking:	No
AEC-Q200:	No
Component Weight:	135 mg
Shelf Life:	78 Weeks
MSL:	1

Specifications

Capacitance:	22 uF
Measurement Condition:	120 Hz 0.5Vrms
Capacitance Tolerance:	20%
Voltage DC:	6.3 VDC
Dielectric Withstanding Voltage:	15.75 VDC
Temperature Range:	-55/+125°C
Temperature Coefficient:	X7R
Capacitance Change with Reference to +25°C and 0 VDC Applied (TCC):	15%, 120Hz 0.5Vrms
Dissipation Factor:	10% 120 Hz 0.5Vrms
Aging Rate:	3% Loss/Decade Hour: Referee Time is 1000 Hours
Insulation Resistance:	4.5 MOhms

Statements of suitability for certain applications are based on our knowledge of typical operating conditions for such applications, but are not intended to constitute - and we specifically disclaim - any warranty concerning suitability for a specific customer application or use. This Information is intended for use only by customers who have the requisite experience and capability to determine the correct products for their application. Any technical advice inferred from this Information or otherwise provided by us with reference to the use of our products is given gratis, and we assume no obligation or liability for the advice given or results obtained.

KEMET

a YAGEO company

单击下面可查看定价，库存，交付和生命周期等信息

[>>KEMET\(基美\)](#)