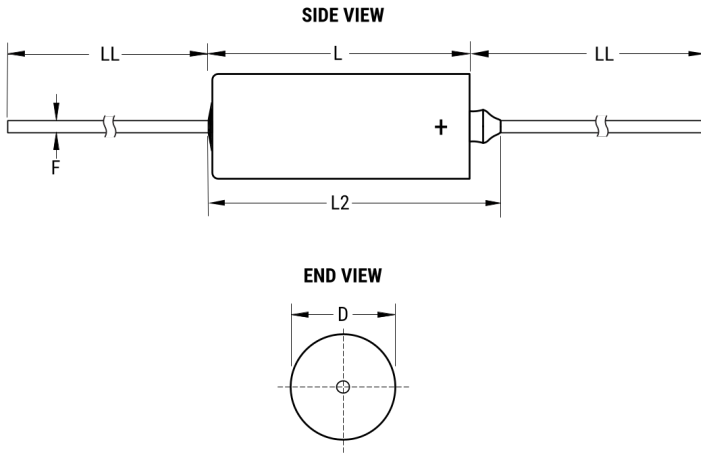


## T140D476M050AT7200

Aliases (T140D476M050AT7443, T140D476M050ATTR)

T140, Tantalum, MnO2 Tantalum, Commercial Grade, 47 uF, 20%, 50 VDC, 600 mOhms



Click [here](#) for the 3D model.

### Dimensions

D	8.92mm +/-0.25mm
L	19.96mm +/-0.79mm
L2	23.42mm
LL	38.1mm +/-6.35mm
F	0.64mm +/-0.05mm

### Packaging Specifications

Packaging	T&R, 305mm, Class III, B = 73mm
Packaging Quantity	400

### General Information

Series	T140
Dielectric	MnO2 Tantalum
Style	Axial Hermetic
Description	Axial, Solid Tantalum, Hermetically Sealed, Military (Non-ER), Polar
Features	Extended Capacitance, Polar
RoHS	Yes
Termination	Tin
Lead	Wire Leads
AEC-Q200	No
Construction	Hermetic
Notes	Dimensions Include Insulating Sleeve. When supplied on T&R or AMMO, lead length is determined by taping specification.

### Specifications

Capacitance	47 uF
Capacitance Tolerance	20%
Voltage DC	50 VDC (85C), 40 VDC (125C Surge), 0.5 VDC (125C Reverse)
Temperature Range	-55/+125°C
Rated Temperature	85°C
Dissipation Factor	6%
Resistance	0.6 Ohms (100kHz)
Leakage Current	10 uA (25°C)

单击下面可查看定价，库存，交付和生命周期等信息

[>>KEMET\(基美\)](#)