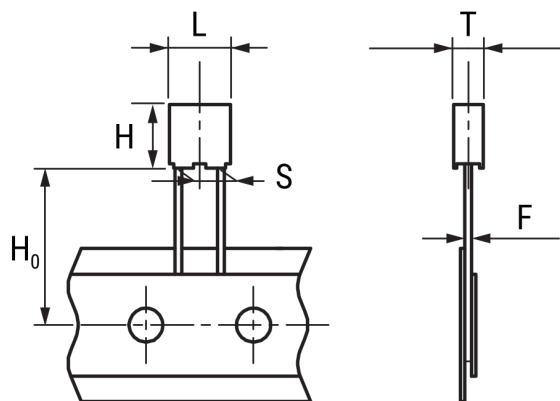


PHE426HJ5180JR17T0

Aliases (F426JJ183J250L, PHE426HJ5180JJ02R17T0)

PHE426/F426, Film, Metallized Polypropylene, General Purpose, 0.018 uF, 5%, 250 VDC, 85°C, Lead Spacing = 5mm



Click [here](#) for the 3D model.

Dimensions

L	7.2mm MAX
H	8mm MAX
T	3.5mm MAX
S	5mm +0.6/-0.1mm
H0	17mm NOM
F	0.5mm NOM

Packaging Specifications

Packaging	T&R
Packaging Quantity	2000

General Information

Series	PHE426/F426
Dielectric	Metallized Polypropylene
Style	Radial
Features	Pulse
RoHS	Yes
Lead	Wire Leads
AEC-Q200	No
Notes	Not For New Design, Please Check Possible Alternative Parts (AltPart).

Specifications

Capacitance	0.018 uF
Capacitance Tolerance	5%
Voltage AC	160 VAC
Voltage DC	250 VDC, 185 VDC (105C)
Temperature Range	-55/+105°C
Rated Temperature	85°C
Dissipation Factor	0.05% 1kHz, 0.25% 100kHz
Insulation Resistance	100 GOhms
Max dV/dt	40 V/us
Inductance	6 nH

Statements of suitability for certain applications are based on our knowledge of typical operating conditions for such applications, but are not intended to constitute - and we specifically disclaim - any warranty concerning suitability for a specific customer application or use. This information is intended for use only by customers who have the requisite experience and capability to determine the correct products for their application. Any technical advice inferred from this information or otherwise provided by us with reference to the use of our products is given gratis, and we assume no obligation or liability for the advice given or results obtained.

单击下面可查看定价，库存，交付和生命周期等信息

[>>KEMET\(基美\)](#)